



Dell PowerConnect J-Series J-EX4500 Ethernet Switch Quick Start

To install and configure a Dell PowerConnect J-Series J-EX4500 Ethernet Switch (*regulatory model number EX4500*) on a two-post 19-inch rack or cabinet, you need:

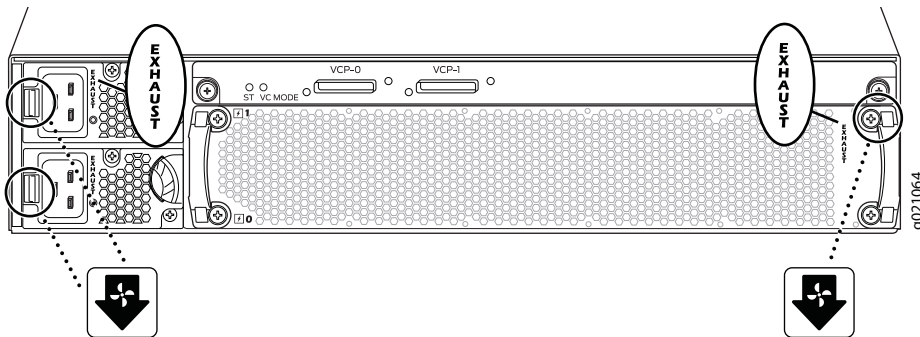
- Two mounting brackets and 20 mounting screws (provided)
- A Phillips (+) screwdriver, number 2
- 8 rack-mount screws—and 8 cage nuts and washers if your rack requires them—of the appropriate size and type to secure the chassis to your rack or cabinet (provided)
- A flat-blade (-) screwdriver if you are installing the switch in a rack with square, nonthreaded holes
- A jumper cable and cord retainer for each power supply (provided)
- For Virtual Chassis connection, one or more Virtual Chassis cables and cable connector retainers
- A grounding cable—14 AWG (2 mm²), minimum 90°C wire—with appropriate grounding lug attached by a licensed electrician, for grounding points 0.625 in. (15.86 mm) apart
- Two 10-32 x 1/4-in. screws with split washers to secure the grounding lug to the switch
- An Ethernet cable with an RJ-45 connector attached (provided)
- A management host with an Ethernet port, such as a PC or laptop

NOTE: For four-post rack or cabinet installation and other information, see the Dell PowerConnect J-EX4500 switch documentation at <http://www.support.dell.com/manuals>.

Part 1: Install a Power Supply in the Switch (If It Is Not Installed)

1. Ensure that you have the correct power supply:
 - Verify that the ejector lever and the arrows on the fan tray handles on the back of the switch all point in the same direction.
 - Verify that power supply and fan tray labels match—all say EXHAUST or INTAKE.

CAUTION: Operating the switch with an incorrect power supply might cause the switch to overheat.



2. Taking care not to touch power supply pins, leads, or solder connections, remove the power supply from the bag.

3. Using both hands, place the power supply in the power supply slot on the back panel of the switch and slide it in until it is fully seated.
4. Repeat these steps for a second power supply, if needed.

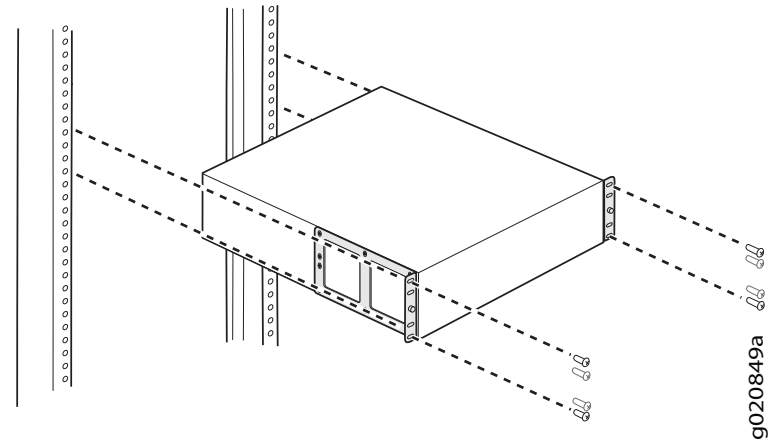
Part 2: Mount the Switch

NOTE: A switch can weigh up to 40 lb (18 kg) depending on the components that are installed. Installation requires one person to lift the switch and a second person to secure it to the rack.

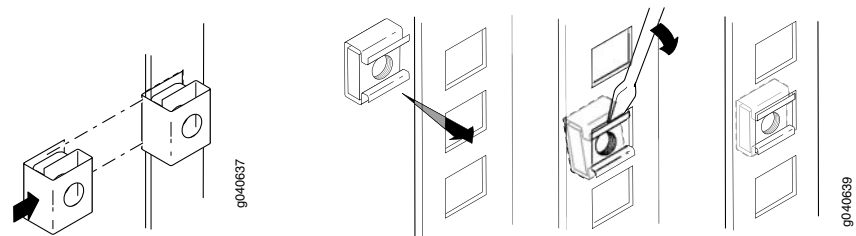
1. Place the rack in its permanent location, allowing adequate clearance for airflow and maintenance, and secure it to the building structure.
2. If your site has hot and cold aisle requirements, check the labels on the back of the switch to determine whether to front-mount or back-mount the chassis:
 - EXHAUST—Hot air exits the fan tray and power supplies (front-to-back airflow).
 - INTAKE—Hot air exits the front of the chassis (back-to-front airflow).

NOTE: If you are mounting multiple units in the rack, mount the heaviest unit at the bottom and mount the others from bottom to top in order of decreasing weight.

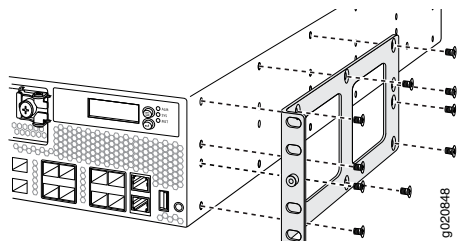
3. Determine the location on the rack where you want to mount the switch.



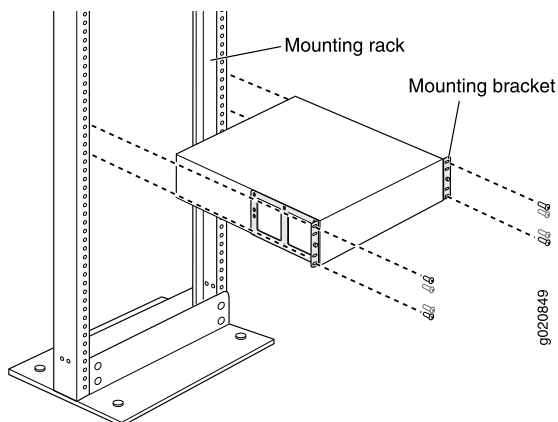
4. If your rack requires cage nuts, install a round-hole cage nut (clip nut) or square-hole cage nut—and a washer—in 4 appropriately spaced holes at the same level on each rack post.



- Place the switch on a flat, stable surface.
- Align the mounting brackets along the front or back of the chassis side panels depending on whether you are front-mounting or back-mounting the switch.
- Attach the mounting brackets to the chassis with the mounting screws, and tighten the screws.



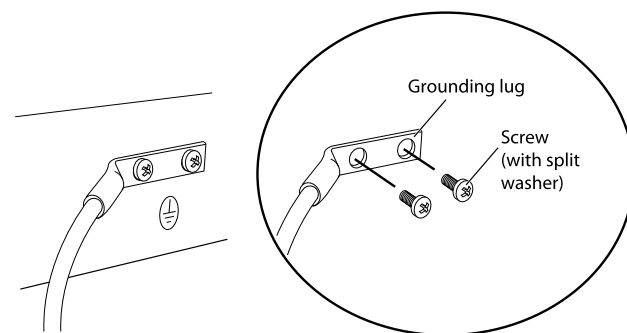
- Have one person grasp both sides of the switch to lift it and position it in the rack, aligning the mounting bracket holes with the holes in the rack posts so that the bottom hole in each bracket lines up with a hole at the same level in each rack post.



- Have a second person install a rack-mount screw in each hole to secure the switch to the rack.
- After ensuring that the chassis is level, tighten the screws.

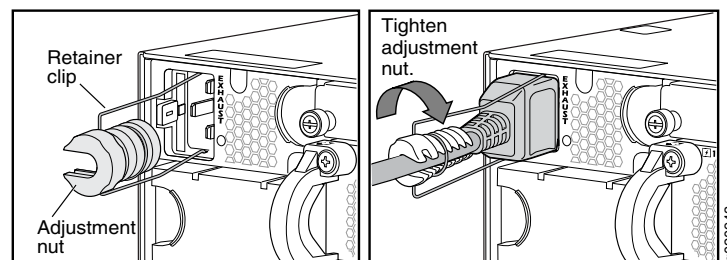
Part 3: Connect the Switch to Earth Ground

- Connect one end of the grounding cable to a proper earth ground, such as the rack in which the switch is mounted.
- Place the grounding lug attached to the grounding cable over the protective earthing terminal on the left side of the chassis (toward the back), and secure the lug to the terminal by tightening the screws and washers.



Part 4: Attach the Jumper Cable to the Power Supply

- Squeeze the two sides of the jumper cable retainer clip, and insert the L-shaped ends of the wire clip into the holes in the bracket on each side of the AC appliance inlet.



- Insert the coupler end of the jumper cable into the AC appliance inlet.
- Push the retainer clip toward the cord until the cord slides into the slot in the adjustment nut.
- Turn the nut until it is tight against the base of the coupler and the slot in the nut is turned 90° from the top of the switch.
- If the AC power source outlet has a power switch, set it to the OFF (0) position.
- Repeat these steps for a second power supply, if needed.

NOTE: Do not power on the switch at this time. You will do so as part of initial configuration. Power-on timing is particularly important for Virtual Chassis configurations because power-on order helps determine mastership.

Part 5: Determine How You Will Operate Your J-EX4500 Switch

- Standalone**—To operate your J-EX4500 as a standalone switch, go to Part 6 on page 3 to connect power and perform initial configuration.
- J-EX4500 Virtual Chassis**—To create a Virtual Chassis with another J-EX4500 switch, go to Part 7 on page 4.
- Mixed Virtual Chassis**—To create a Virtual Chassis with up to eight J-EX4200 switches and up to one other J-EX4500 switch, go to Part 8 on page 4.

CAUTION: Although J-EX4500 switches are shipped with the Virtual Chassis module installed, Virtual Chassis operation requires preparation in addition to hardware connection. Do not physically connect multiple switches in a Virtual Chassis before reading the appropriate instructions.

You can also add your J-EX4500 switch to an existing J-EX4200 Virtual Chassis or mixed J-EX4200 and J-EX4500 Virtual Chassis. For instructions, see the Dell PowerConnect J-EX Series documentation at <http://www.support.dell.com/manuals>.

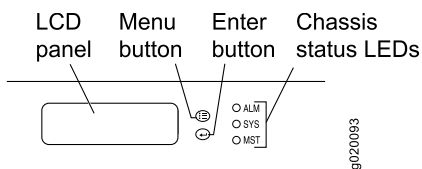
NOTE: You can configure and manage a standalone J-EX4500 switch with the J-Web interface, but the J-Web interface does not support configuration and management of a J-EX4500 Virtual Chassis or a mixed Virtual Chassis.

Part 6: Power On the Switch and Perform Initial Configuration

NOTE: If your switch will be part of a J-EX4500 Virtual Chassis, go first to Part 7 on page 4. For a mixed Virtual Chassis, go first to Part 8 on page 4.

Read through the following steps before you begin the configuration:

1. Insert the jumper cable plug into the power source outlet on the switch.
2. If the AC power source outlet has a power switch, set it to the ON (I) position.
3. Verify that the LED on each power supply glows steadily green for normal operation.
4. Enable a DHCP client on the management PC or laptop you will connect to the switch so that the management device can obtain an IP address dynamically.
5. Become familiar with the LCD panel, Menu and Enter buttons, and status LEDs.



The LCD panel displays a count-down timer when the switch is in initial setup mode. You must complete the initial configuration using EZSetup within 10 minutes. After 10 minutes, the switch exits EZSetup and reverts to the factory default configuration, and the PC or laptop loses connectivity to the switch

6. Transition the switch into initial setup mode:
 - Press the Menu button until you see MAINTENANCE MENU. Then press the Enter button.
 - Press the Menu button until you see EZSetup. Then press the Enter button.

If EZSetup does not appear as an option in the menu, select **Factory Default** to return the switch to the factory default configuration. EZSetup is displayed in the menu only when the switch is set to the factory default configuration.

- Press the Enter button to confirm setup and continue with EZSetup.
7. Connect the Ethernet cable from the Ethernet port on the PC or laptop to the MGMT port (me0) on the front panel of the switch.

The me0 interface (the port labeled MGMT) is configured as the DHCP server with the default IP address 192.168.1.1. The switch can assign an IP address to the management PC or laptop in the range 192.168.1.2 through 192.168.1.253.

8. From the PC or laptop, open a Web browser, type **http://192.168.1.1** in the address field, and press the Enter key.
9. On the J-Web Login page, enter root as the username, leave the password field blank, and click **Login**.
10. On the Introduction page, click **Next**.

NOTE: If you are configuring a Virtual Chassis master switch, the values you enter in Steps 11 through 14 are applied to all Virtual Chassis members.

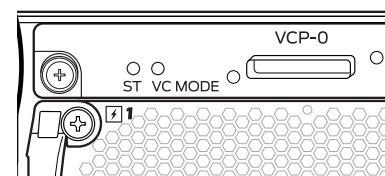
11. On the Basic Settings page, enter the hostname, enter and reenter a password, specify the time zone, and synchronize the switch date and time settings with the management PC or laptop—or set them manually—and click **Next**.
12. On the Management Options page, select **Out-of-band Management—Configure management port** to configure the management interface, and click **Next**.
13. Specify the IP address and default gateway for the management interface.
14. Click **Next**. On the Manage Access page, you may select options to enable Telnet, SSH, and SNMP services. For SNMP, you can configure the read community, location, and contact.
15. Click **Next**. The Summary page displays the settings you have selected.
16. Click **Finish**. The configuration is committed as the active switch configuration.

NOTE: If connectivity between the management PC or laptop and the switch is lost, reconnect by entering the appropriate commands on the PC or laptop to release and renew the IP address—or remove and reinsert the Ethernet cable.

17. For standalone operation only, log in to the command-line interface (CLI) and set the mode to intracconnect:

```
user@switch> request chassis pic-mode intracconnect
```

For standalone operation only, verify that the green ST (status) LED on the Virtual Chassis module is on steadily and that the VC MODE LED is off.



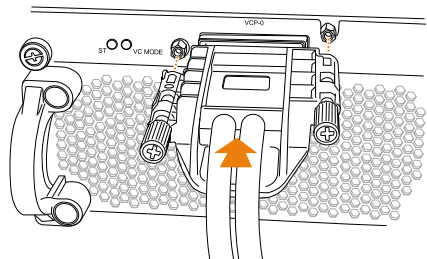
18. Observe the amber ALM (alarm) LED to the right of the LCD panel.

A lit amber (minor) alarm LED is normal. It indicates that the switch has no rescue configuration set. To save the current configuration as a rescue configuration that you can return to with the rollback command, log in to the CLI and enter

```
user@switch> request system configuration rescue save
```

Part 7: Create a J-EX4500 Virtual Chassis with Two J-EX4500 Switches

1. Verify that both J-EX4500 switches are running the same version of the Junos operating system (Junos OS).
2. With a Virtual Chassis cable and cable connector retainer, interconnect the J-EX4500 switches using a dedicated Virtual Chassis port (VCP) on the back of each switch.



3. Write down the serial numbers of the switches to be connected in the Virtual Chassis, and select a master switch to power on and configure first.

4. On the master switch only, connect power and perform initial configuration. See Part 6 on page 3.

5. (Optional) On the master switch, enter configuration mode, and configure the virtual management Ethernet (VME) interface for out-of-band management of the Virtual Chassis:

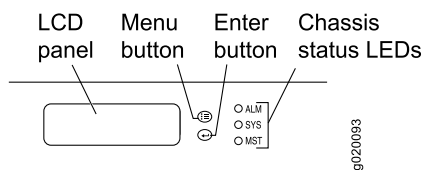
```
user@switch> configure
user@switch# set interfaces vme unit 0 family inet address
ip-address
```

6. On the master switch, specify the preprovisioned configuration mode, assign both switches the **routing-engine** role, and commit the configuration:

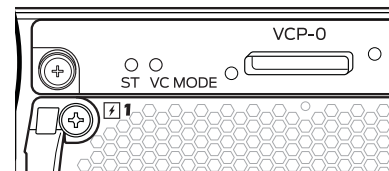
```
user@switch# edit virtual-chassis
user@switch# set preprovisioned
user@switch# set member 0 serial-number serial-number role
routing-engine
user@switch# set member 1 serial-number serial-number role
routing-engine
user@switch# commit
```

7. Power on the other J-EX4500 switch—no initial configuration is necessary—and verify that the LED on each power supply glows steadily green for normal operation.

8. On the master switch, verify that the green MST (master) LED to the right of the LCD panel is on steadily.



9. On both switches in the Virtual Chassis, verify that the green ST (status) and VC MODE LEDs on the Virtual Chassis module are on steadily.



Part 8. Create a Mixed J-EX4200 and J-EX4500 Virtual Chassis

CAUTION: Do not physically connect multiple switches in a Virtual Chassis before reading these instructions.

Your switch can be part of a Virtual Chassis configuration of as many as eight J-EX4200 switches and one other J-EX4500 switch. A J-EX4500 switch must be the master.

These instructions show you how to configure two J-EX4500 switches and two J-EX4200 switches—none are current Virtual Chassis members—in a *preprovisioned* configuration. We highly recommend preprovisioning for a mixed Virtual Chassis.

1. Ensure that both J-EX4200 switches for the mixed Virtual Chassis are initially configured. See the Dell PowerConnect J-EX4200 switch documentation at <http://www.support.dell.com/manuals>.
2. Verify that the J-EX4200 switches and J-EX4500 switches to be connected in the mixed Virtual Chassis are all running the same version of Junos OS.
3. Write down the serial numbers of the switches to be connected in the Virtual Chassis, and select a J-EX4500 switch as the master switch.
4. Power on the J-EX4500 master switch first, and then power on the other J-EX4500 member switch. For a switch not previously configured, see Part 6 on page 3.
5. Set both J-EX4500 switches to mixed Virtual Chassis mode, and reboot each switch:

```
user@switch> request virtual-chassis mode mixed
user@switch> request system reboot
```

6. Power on both J-EX4200 Virtual Chassis member switches.
7. Set both J-EX4200 switches to mixed Virtual Chassis mode, and reboot each switch:

```
user@switch> request virtual-chassis mode mixed
user@switch> request system reboot
```

8. (Optional) Log back in to the master switch, enter configuration mode, and configure the virtual management Ethernet (VME) interface for out-of-band management of the Virtual Chassis:

```
user@switch> configure
user@switch# set interfaces vme unit 0 family inet address
ip-address
```

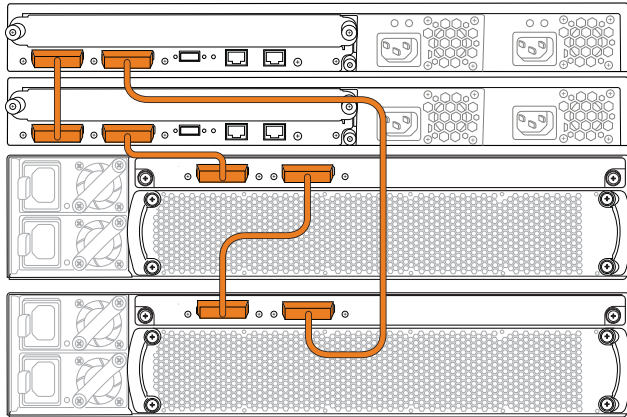
9. On the master switch, specify the preprovisioned configuration mode, and assign both J-EX4500 members (including the master) the **routing-engine** role:

```
user@switch# edit virtual-chassis
user@switch# set preprovisioned
user@switch# set member member-id-1 serial-number
serial-number-1 role routing-engine
user@switch# set member member-id-2 serial-number
serial-number-2 role routing-engine
```

10. On the master switch, continue preprovisioning by assigning both J-EX4200 members the **linecard** role, then commit the configuration:

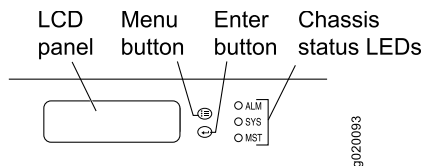
```
user@switch# set member member-id-3 serial-number
serial-number-3 role linecard
user@switch# set member member-id-4 serial-number
serial-number-4 role linecard
user@switch# commit
```

11. With four Virtual Chassis cables and cable connector retainers, interconnect the four switches using the dedicated VCPs on the back of each switch.

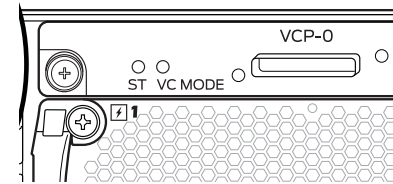


12. On the master switch:

- Verify that the green MST (master) LED to the right of the LCD panel is on steadily.



- Verify that the green ST (status) and VC MODE LEDs on the Virtual Chassis module are both on steadily.



13. On the other J-EX4500 member switch, verify that the green MST LED is blinking and that the green ST and VC MODE LEDs are on steadily.

14. On both J-EX4200 line card members, verify that the MST LED to the right of the LCD panel is off.

Safety Warnings Summary

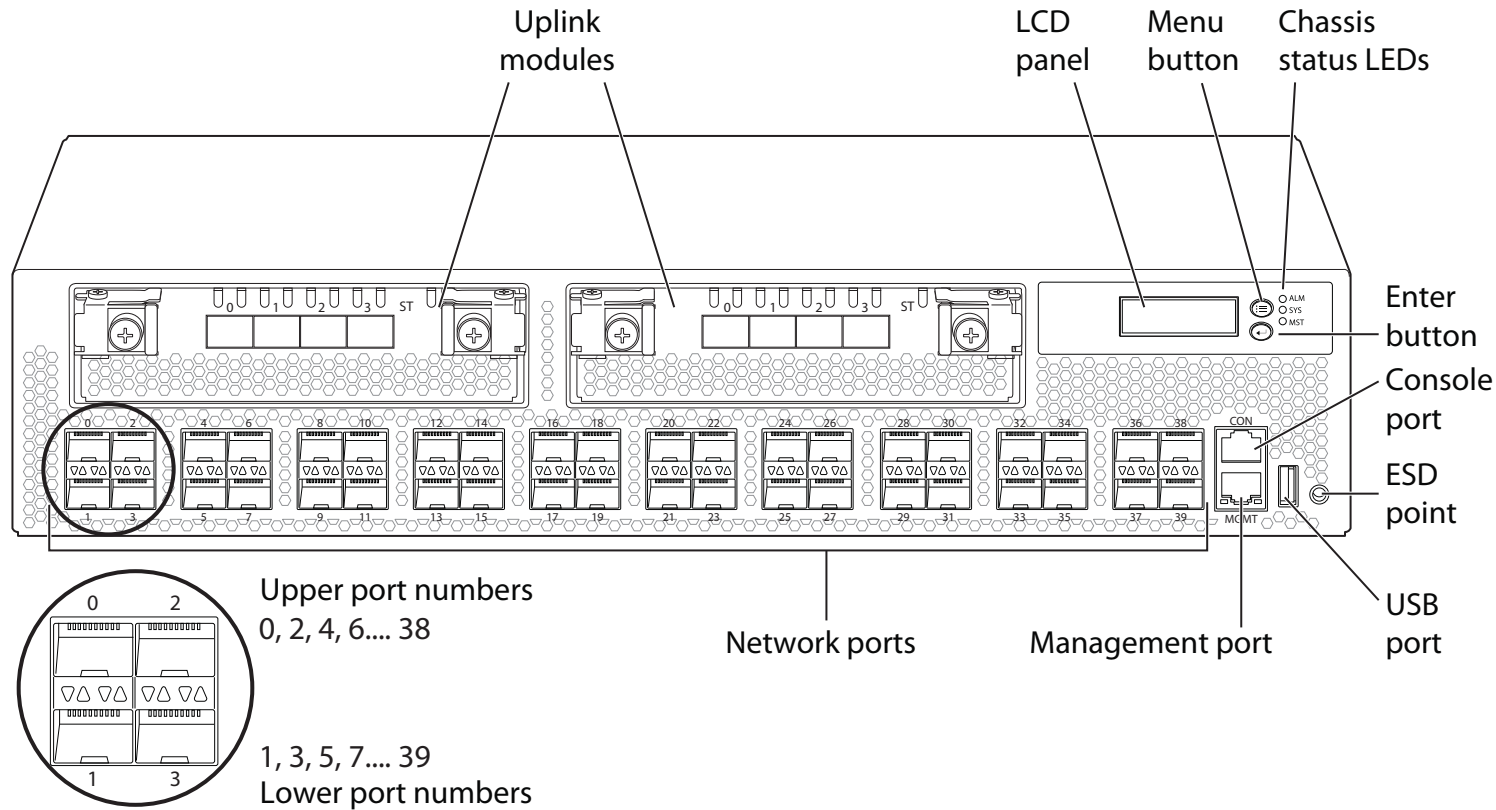
This is a summary of safety warnings. For a complete list of warnings, including translations, see the Dell PowerConnect J-EX4500 switch documentation at <http://www.support.dell.com/manuals>.

WARNING: Failure to observe these safety warnings can result in personal injury or death.

- Permit only trained and qualified personnel to install or replace switch components.
- Perform only the procedures described in this quick start and the J-EX4500 switch documentation. Only authorized service personnel must perform other services.
- Before installing the switch, read the planning instructions in the J-EX4500 switch documentation to make sure that the site meets power, environmental, and clearance requirements for the switch.
- Before connecting the switch to a power source, read the installation instructions in the J-EX4500 switch documentation.
- A J-EX4500 switch with one power supply weighs 37 lb (17 kg). With two power supplies, the switch weighs 40 lb (18 kg). Installing the switch in a rack requires one person to lift the switch and a second person to install mounting screws. To prevent injury, keep your back straight and lift with your legs, not your back.
- If the rack has stabilizing devices, install them in the rack before mounting or servicing the switch in the rack.
- Before installing or after removing an electrical component, always place it component-side up on a flat antistatic surface or in an electrostatic bag.
- Do not work on the switch or connect or disconnect cables during electrical storms.
- Before working on equipment that is connected to power lines, remove jewelry, including rings, necklaces, and watches. Metal objects heat up when connected to power and ground and can cause serious burns or become welded to the terminals.

Contacting Dell Inc.

For technical support, see <http://www.support.dell.com>.



9021071



Dell PowerConnect J 系列 J-EX4500 乙太網路交換機快速入門

若要在雙柱式 19 吋機架或機櫃上安裝及組態「Dell PowerConnect J 系列 J-EX4500 乙太網路交換機」(管理型號為 EX4500)，您需要：

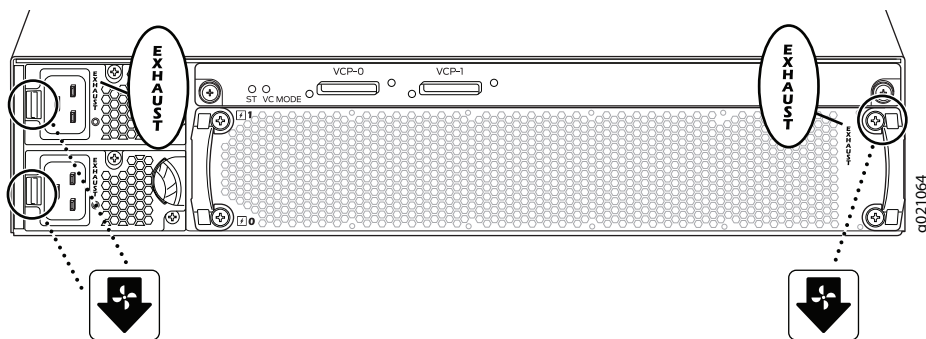
- 2 個裝載托架和 20 個裝載螺絲 (已提供)
- 十字 (+) 螺絲起子, 2 號
- 可將機箱固定在機架或機櫃上的 8 個大小與類型適用的機架裝載螺絲 (已提供) (機架需要時可使用 8 個鎖緊螺帽和墊圈)
- 一字 (-) 螺絲起子, 如果您正將交換機安裝到配有無螺紋方形孔洞的機架中
- 用於各個電源供應器的跳線與跳線固定器 (已提供)
- 用於連接「虛擬機箱」的一或多條「虛擬機箱」纜線和纜線連接器固定器
- 接地纜線— 14 AWG (2 mm²), 最小 90°C 的電線—由授權電工將纜線與適用的接地接線片連接, 接地點間隔 0.625 in. (15.86 mm)
- 用於將接地接線片固定至交換機的兩顆 10-32 x 1/4-in. 螺絲與開口墊圈
- 已連接 RJ-45 連接器的乙太網路纜線 (已提供)
- 含乙太網路連接埠的管理主機, 如 PC 或筆記型電腦

注意：如需四柱式機架或機櫃安裝與其他資訊，請參閱 Dell PowerConnect J-EX4500 交換機文件，網址為 <http://www.support.dell.com/manuals>。

第 1 部分：在交換機中安裝電源供應器 (若尚未安裝)

1. 確認您有正確的電源供應器：
 - 確認頂出器桿與交換機後方風扇底盤把手上的箭頭都朝向同一方向。
 - 確認電源供應器與風扇底盤標籤相符—全都標示為 EXHAUST 或 INTAKE。

小心：操作電源供應器不正確的交換機可能導致交換機過熱。



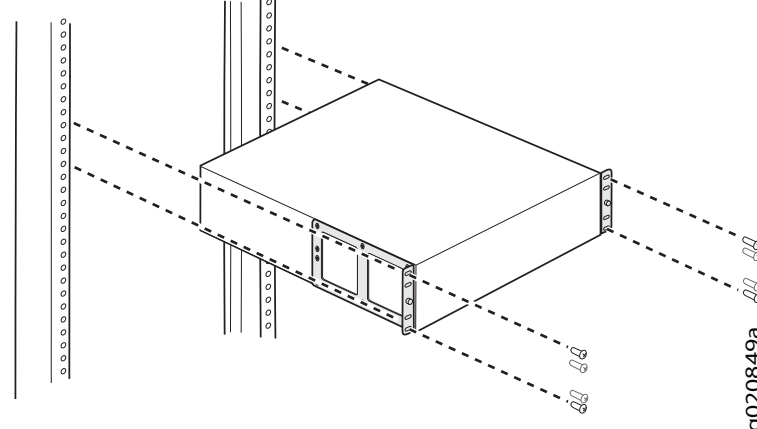
2. 注意不要碰到電源供應器接腳、導線或焊錫連接處；從袋子中取出電源供應器。

3. 用兩隻手將電源供應器放到交換機後面板上的電源供應器插槽中，然後將其滑入，直到完全固定住為止。
4. 如有需要，對第二個電源供應器重複這些步驟。

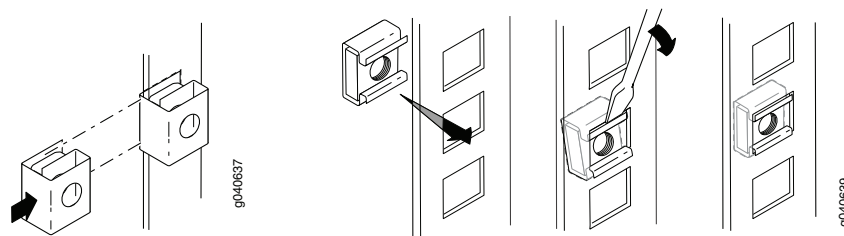
第 2 部分：安裝交換機

注意：交換機重量可達 40 磅 (18 公斤)，視安裝元件而定。安裝時，需要一個人抬起交換機，另一個將其固定至機架。

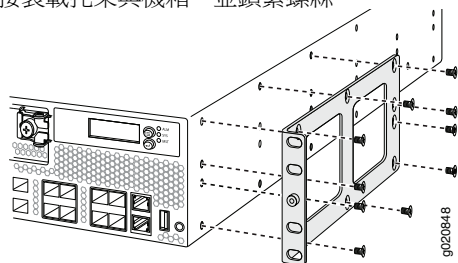
1. 將機架放在空氣流通、可進行維護且固定在建築物結構的永久位置。
2. 如果您的站台有冷熱通道要求，請檢查交換機背面的標籤以確定為正面安裝或背面安裝機箱：
 - EXHAUST — 熱空氣離開風扇底盤與電源供應器 (前到後的氣流)。
 - INTAKE — 熱空氣離開機箱正面 (後到前的氣流)。
- 注意：**如果要將多個裝置安裝到機架上，請將最重的裝置安裝在底部，然後依照重量逐漸減輕的順序從下到上安裝其他裝置。
3. 決定欲安裝交換機的機架位置。



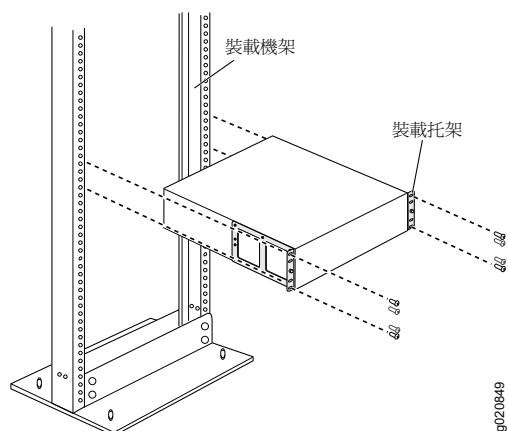
4. 若您的機架需使用鎖緊螺帽，請在每一個機架柱上等高處的 4 個孔 (間距約略相等) 內裝入圓孔鎖緊螺帽 (螺帽夾) 或方孔鎖緊螺帽及墊圈。



- 將交換機放置在平坦且穩固的表面上。
- 根據您是正面安裝或背面安裝交換機，沿著機箱側面板的正面或背面對齊裝載托架。
- 使用裝載螺絲連接裝載托架與機箱，並鎖緊螺絲。



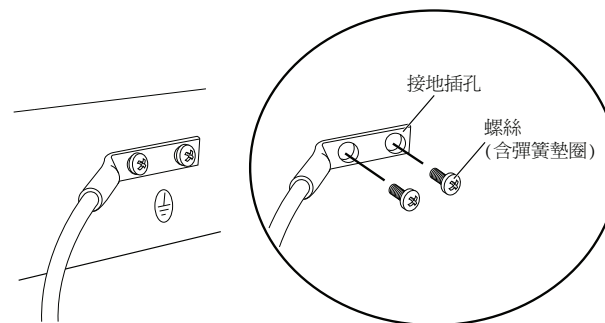
- 讓一個人握住交換機的兩側抬起，然後將其放在機架中，使裝載托架孔與機架柱孔對齊，這樣每個托架底部的孔就會與每個機架柱孔等高。



- 讓另一個人將機架裝載螺絲安裝於每個機架孔，以將交換機固定至機架。
- 確認機箱處於水平狀態後，鎖緊螺絲。

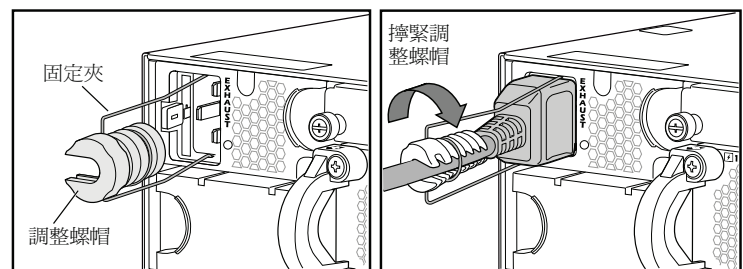
第 3 部分：將交換機連接至地面

- 將接地纜線的一端適當接地，例如裝載交換機的所在機架。
- 將連接接地纜線的接地接線片置於機箱（後方）左側的保護接地終端，然後鎖緊螺絲和墊圈將接線片固定到終端。



第 4 部分：將跳線接到電源供應器上

- 擠壓跳線固定夾的兩側，將接線夾的 L 形端點插入至 AC 設備插座兩側托架上的插孔中。



- 將跳線的耦合器端插入至 AC 設備插座中。
- 將固定夾朝電源線推入直到其滑入調整螺帽的插槽中。
- 旋轉螺帽，直到其牢固固定在耦合器基座上為止，且螺帽中的插槽已從交換機頂部旋轉 90°。
- 如果 AC 電源插座有電源開關，請將其設定為 OFF (0) 位置。
- 如有需要，對第二個電源供應器重複這些步驟。

注意：此時請勿開啓交換機電源。請在進行初始組態時再開啓電源。開啓電源的時機對於虛擬機箱組態而言尤其重要，因為開啓電源的順序有助確定主裝置。

第 5 部分：決定操作 J-EX4500 交換機的方式

- 獨立式** - 若要將 J-EX4500 作為獨立的交換機來操作，請參閱第 3 頁的第 6 部分，以連接電源及執行初始組態。
- J-EX4500 虛擬機箱** - 若要用另一個 J-EX4500 交換機建立虛擬機箱，請參閱第 4 頁的第 7 部分。
- 混合式虛擬機箱** - 若要用最多達 8 台的 J-EX4200 交換機及另一台 J-EX4500 交換機建立虛擬機箱，請參閱第 4 頁的第 8 部分。

小心：雖然 J-EX4500 交換機在出貨時已安裝好「虛擬機箱」模組，但是「虛擬機箱」操作仍需進行硬體連接以外的準備作業。請先詳讀適當的指示之後，再實際將多台交換機連接到「虛擬機箱」中。

您也可將 J-EX4500 交換機新增至既有的 J-EX4200 虛擬機箱或混合式 J-EX4200 與 J-EX4500 虛擬機箱。如需指示，請參閱 Dell PowerConnect J-EX 系列文件，網址為 <http://www.support.dell.com/manuals>。

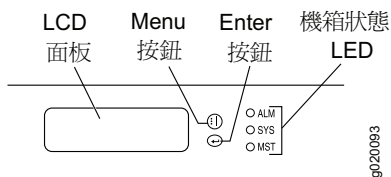
注意：您可以用 J-Web 介面組態及管理獨立式 J-EX4500 交換機，但是 J-Web 介面並不支援 J-EX4500 虛擬機箱或混合式虛擬機箱的組態與管理。

第 6 部分：開啓交換機電源及執行初始組態

注意：若您的交換機將作為 J-EX4500 虛擬機箱的一部分，請先參閱第 4 頁的第 7 部分。若是混合式虛擬機箱，請先參閱第 4 頁的第 8 部分。

在開始組態之前，請先閱讀以下步驟：

1. 將跳線插頭插入至交換機上的電源插座中。
2. 如果 AC 電源插座有電源開關，請將其設定為 ON (I) 位置。
3. 確認每一個電源供應器上的 LED 穩定亮綠燈，呈現正常操作狀態。
4. 請啓用您要連接至交換機之管理 PC 或筆記型電腦上的 DHCP 用戶端，使管理交換機可以動態取得 IP 位址。
5. 熟悉 LCD 面板、Menu 按鈕、Enter 按鈕及狀態 LED。



交換機處於初始設定模式時，LCD 面板會顯示倒數計時器。必須使用 EZSetup 在 10 分鐘內完成初始組態。交換機在 10 分鐘後會退出 EZSetup，然後便會回復為出廠預設組態，同時 PC 或筆記型電腦會失去與交換機的連線。

6. 將交換機切換至初始設定模式：
 - 按下 Menu 按鈕，直到看到 MAINTENANCE MENU 為止。然後按下 Enter 按鈕。
 - 按下 Menu 按鈕，直到看到 EZSetup 為止。然後按下 Enter 按鈕。

若 EZSetup 未顯示為功能表中的選項，請選擇 **Factory Default** 將交換機恢復為出廠預設組態。只有在交換機設定為出廠預設組態之後，才會在功能表中顯示 EZSetup。

7. 將乙太網路纜線從 PC 或筆記型電腦上的乙太網路連接埠，連接至交換機前面板上的 MGMT 連接埠 (me0)。

me0 介面 (連接埠標示為 MGMT) 已使用預設 IP 位址 192.168.1.1 組態為 DHCP 伺服器。交換機可以將 192.168.1.2 到 192.168.1.253 之間的 IP 位址指派給管理 PC 或筆記型電腦。

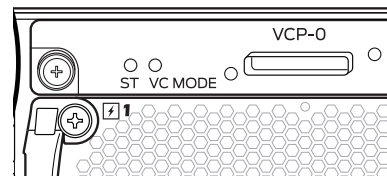
8. 從 PC 或筆記型電腦開啓網路瀏覽器，在位址欄位中鍵入 <http://192.168.1.1>，然後按 Enter 鍵。
9. 在 J-Web Login 頁面上，輸入 root 作為使用者名稱，將密碼欄位保留空白，然後按一下 Login。
10. 在 Introduction 頁面上，按一下 Next。
- 注意：**若您要組態「虛擬機箱」主交換機，則系統會將您在步驟 11 到 14 中輸入的值套用至所有虛擬機箱成員。
11. 在 Basic Settings 頁面上，輸入主機名稱、輸入密碼、再次輸入密碼、指定時區，然後將交換機的日期與時間設定與管理 PC 或筆記型電腦同步化，或手動設定它們—然後按一下 Next。
12. 在 Management Options 頁面上，選擇 **Out-of-band Management—Configure management port**，以組態管理介面，然後按一下 Next。
13. 指定管理介面的 IP 位址與預設閘道。
14. 按一下 Next。在 Manage Access 頁面上，可以選擇選項來啓用 Telnet、SSH 與 SNMP 等服務。可以針對 SNMP 組態讀取社群、位置與聯絡資訊。
15. 按一下 Next。Summary 頁面會顯示已選擇的設定。
16. 按一下 Finish。組態已認可，並作為活動中的交換機組態。

注意：若遺失管理 PC 或筆記型電腦與交換機之間的連線，請在 PC 或筆記型電腦上輸入適當的指令，以釋放及更新 IP 位址 - 或移除並重新插入乙太網路纜線。

17. 僅獨立操作適用：請登入指令行介面 (CLI)，並將模式設定為內部連接：

```
user@switch> request chassis pic-mode intraconnect
```

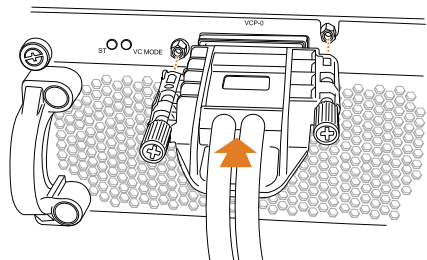
僅獨立操作適用：確認「虛擬機箱」模組上的綠色 ST (狀態) LED 穩定亮燈，且 VC MODE LED 為熄滅狀態。



18. 觀察 LCD 面板右側的琥珀黃色警示 LED。亮琥珀黃色 (輕微) 警示 LED 表示正常。表示交換機未設定救援組態。若要將目前的組態儲存為救援組態，您可以利用 rollback 指令返回，登入 CLI 並輸入 `user@switch> request system confirmation rescue save`

第 7 部分：用兩台 J-EX4500 交換機建立 J-EX4500 虛擬機箱

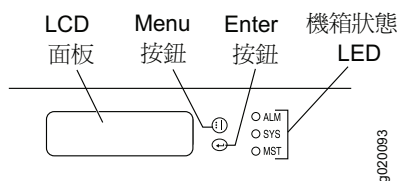
1. 確認兩台 J-EX4500 交換機均執行相同版本的 Junos 作業系統 (Junos OS)。
2. 用「虛擬機箱」纜線及纜線連接器固定器將 J-EX4500 交換機相互連接到每台交換機背面的專用「虛擬機箱」連接埠 (VCP) 上。



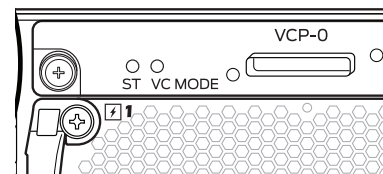
3. 記下要連接到「虛擬機箱」的交換機序號，然後選擇要開啓電源及先進行設定的主交換機。
4. 僅主交換機適用：連接電源，並執行初始組態。請參閱第 3 頁上的第 6 部分。
5. (選擇性) 在主交換機上，進入組態模式，然後設定虛擬管理乙太網路 (VME) 介面，以便進行超出頻寬的「虛擬機箱」管理：


```
user@switch> configure
user@switch# set interfaces vme unit 0 family inet address ip-address
```
6. 在主交換機上，指定預先提供的組態模式、為兩台交換機指定 **routing-engine** 角色，然後執行組態：


```
user@switch# edit virtual-chassis
user@switch# set preprovisioned
user@switch# set member 0 serial-number serial-number role routing-engine
user@switch# set member 1 serial-number serial-number role routing-engine
user@switch# commit
```
7. 開啓另一台 J-EX4500 交換機的電源 - 不需進行初始組態 - 然後確認每一台電源供應器上的 LED 均穩定亮綠燈，呈現正常操作狀態。
8. 在主交換機上，確認 LCD 面板右側的綠色 MST (主) LED 穩定亮燈。



9. 在「虛擬機箱」的兩台交換機上，確認「虛擬機箱」模組上的綠色 ST (狀態) 及 VC MODE LED 穩定亮燈。



第 8 部分：建立混合式 J-EX4200 及 J-EX4500 虛擬機箱

△ 小心：請先詳讀這些指示，再實際將多台交換機連接到「虛擬機箱」中。

您的交換機可作為最多達 8 台 J-EX4200 交換機及另一台 J-EX4500 交換機的「虛擬機箱」組態一部分。J-EX4500 交換機必須是主交換機。

這些指示向您說明如何使用預先提供的組態來設定兩台 J-EX4500 交換機及兩台 J-EX4200 交換機 - 這兩台交換機均非目前的「虛擬機箱」成員。我們強烈建議您為混合式「虛擬機箱」進行預先設定。

1. 請務必先設定混合式「虛擬機箱」的兩台 J-EX4200 交換機。請參閱 Dell PowerConnect J-EX4200 交換機文件，網址為 <http://www.support.dell.com/manuals>。
2. 確認要連接到混合式「虛擬機箱」的 J-EX4200 交換機及 J-EX4500 交換機均執行相同版本的 Junos OS。
3. 記下要連接到「虛擬機箱」的交換機序號，然後選擇要作為主交換機的 J-EX4500。
4. 先開啓 J-EX4500 主交換機的電源，然後再開啓另一台 J-EX4500 成員交換機的電源。若是未經設定的交換機，請參閱第 3 頁的第 6 部分。
5. 將兩台 J-EX4500 交換機都設定為混合「虛擬機箱」模式，然後重新啓動每一台交換機：


```
user@switch> request virtual-chassis mode mixed
user@switch> request system reboot
```
6. 開啓兩台 J-EX4200 虛擬機箱成員交換機的電源。
7. 將兩台 J-EX4200 交換機都設定為混合「虛擬機箱」模式，然後重新啓動每一台交換機：


```
user@switch> request virtual-chassis mode mixed
user@switch> request system reboot
```
8. (選擇性) 再登入回主交換機，進入組態模式，然後設定虛擬管理乙太網路 (VME) 介面，以便進行超出頻寬的「虛擬機箱」管理：


```
user@switch> configure
user@switch# set interfaces vme unit 0 family inet address ip-address
```

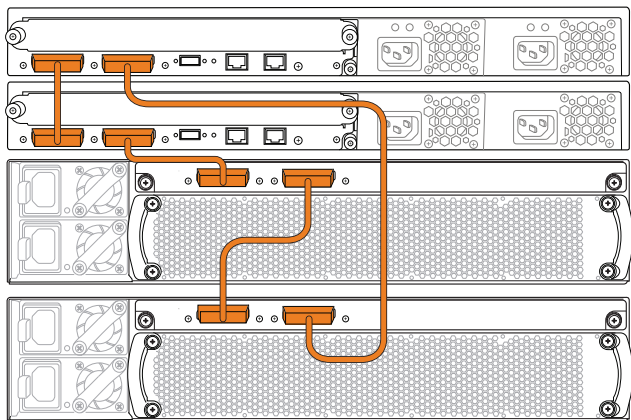
9. 在主交換機上，指定預先提供的組態模式，然後為兩台 J-EX4500 成員 (包裝主交換機) 指派 **routing-engine** 角色：

```
user@switch# edit virtual-chassis
user@switch# set preprovisioned
user@switch# set member member-id-1 serial-number
serial-number-1 role routing-engine
user@switch# set member member-id-2 serial-number
serial-number-2 role routing-engine
```

10. 在主交換機上，繼續進行預先設定作業：為兩台 J-EX4200 成員指派 **linecard** 角色，然後執行組態：

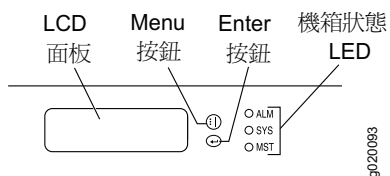
```
user@switch# set member member-id-3 serial-number
serial-number-3 role linecard
user@switch# set member member-id-4 serial-number
serial-number-4 role linecard
user@switch# commit
```

11. 用 4 條「虛擬機箱」纜線及纜線連接器固定器將 4 台交換機相互連接到每一台交換機背面的專用 VCP。

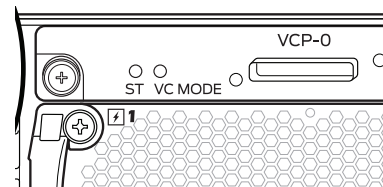


12. 在主交換機上：

- 確認 LCD 面板右側的綠色 MST (主) LED 穩定亮燈。



- 確認「虛擬機箱」模組上的綠色 ST (狀態) 及 VC MODE LED 均穩定亮燈。



13. 在另一台 J-EX4500 成員交換機上，確認綠色 MST LED 呈閃爍狀態，且綠色 ST 與 VC MODE LED 均穩定亮燈。

14. 在兩個 J-EX4200 線路卡成員上，確認 LCD 面板右側的 MST LED 呈熄燈狀態。

安全警告摘要

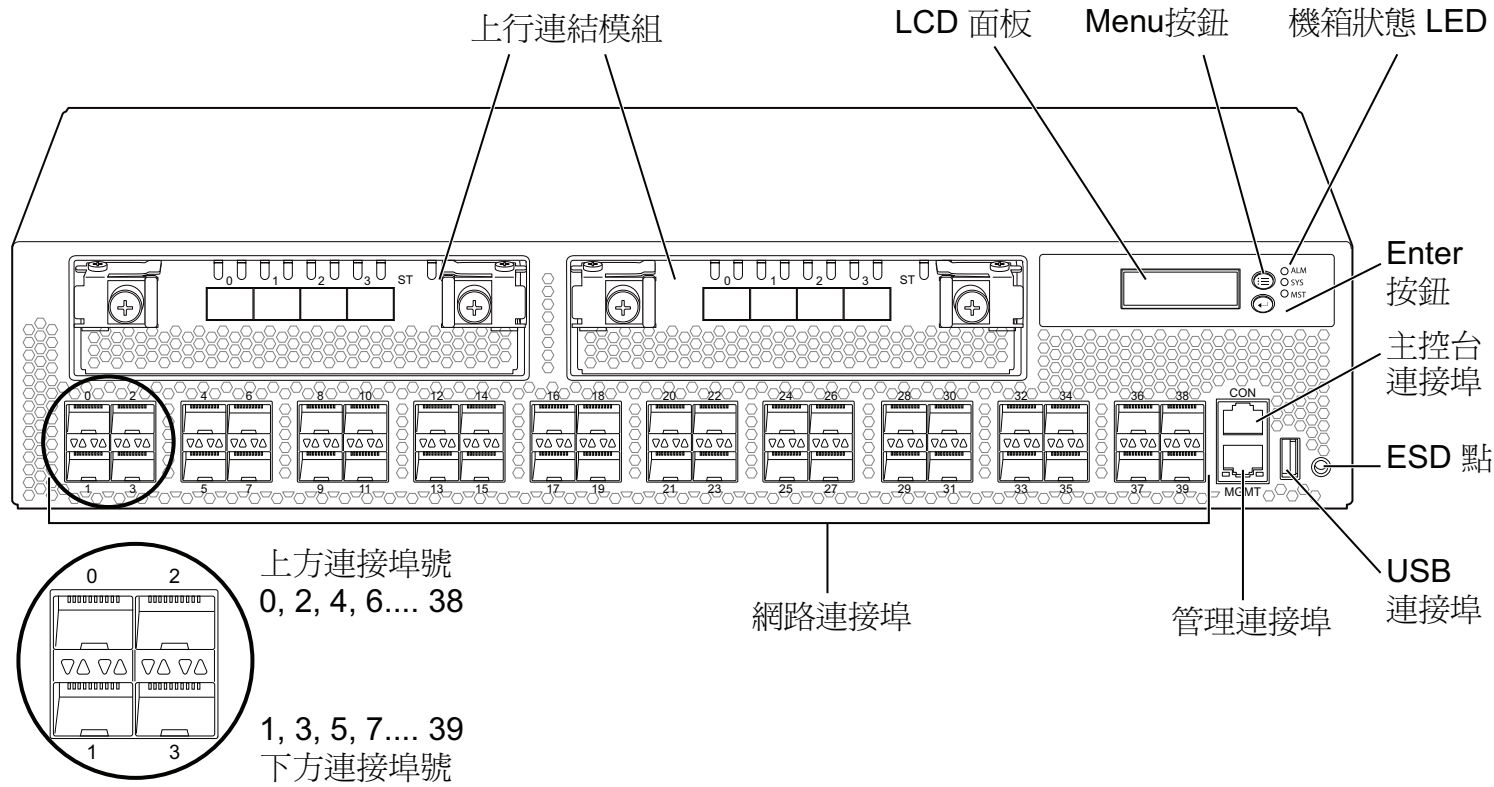
這是安全警告摘要。如需完整警告清單 (含翻譯)，請參閱 PowerConnect J-EX4500 交換機文件，網址為 <http://www.support.dell.com/manuals>。

警告：若未能注意到這些安全警告，可能會導致人身傷害或死亡。

- 只有受過訓練的合格人員才能安裝或更換交換機元件。
- 請僅執行此快速入門與 J-EX4500 交換機文件中所述的步驟。只有授權的服務人員才能執行其他服務。
- 在安裝交換機之前，請先閱讀 J-EX4500 交換機文件中的計劃說明，確保場地符合交換機的電源、環境和周圍空間需求。
- 在將交換機連接至電源之前，請先閱讀 J-EX4500 交換機文件中的安裝說明。
- J-EX4500 交換機 (含電源供應器) 重量為 37 磅 (17 公斤)。含兩個電源供應器，交換機重量為 40 磅 (18 公斤)。將交換機安裝到機架時，需要一個人抬起交換機，另一個人安裝裝載螺絲。為了避免受傷，請將背部挺直並用腿部力量抬起，而不是靠背部力量。
- 若機架配有穩定裝置，請先將其安裝到機架上，然後再裝載或維修機架中的交換機。
- 安裝電氣元件之前或移除電氣元件之後，請務必讓元件面朝上，並放在平坦的防靜電表面或靜電袋中。
- 在電暴期間，請勿使用交換機，或連接或中斷連接纜線。
- 在使用連接至電源線的設備之前，請先取下首飾，包括戒指、項鍊和手錶。當連接到電源或接地時，金屬物件會變熱，可能會導致嚴重灼傷或與終端相熔接。

請與 Dell Inc. 聯絡。

如需技術支援，請造訪 <http://www.support.dell.com>。



9021071



Dell PowerConnect J 系列 J-EX4500 以太网交换机快速入门

要在双柱式 19 英寸机架或机柜上安装和配置 Dell PowerConnect J 系列 J-EX4500 以太网交换机 (规范型号 EX4500), 需要:

- 两个安装托架和 20 个安装螺丝 (提供)
- 一个 2 号十字 (+) 螺丝刀
- 大小和类型适合的 8 个机架安装螺丝以及 8 个锁紧螺母和垫圈 (如果机架需要), 用于将机箱固定到机架或机柜 (提供)
- 一个一字 (-) 螺丝刀 (如果将交换机安装到配有无螺纹方形孔的机架中)
- 每个电源一根跳接线和一个接线器 (提供)
- 用于虚拟机箱连接的一根或多根虚拟机箱电缆和电缆连接器接线器
- 一根带有合适的接地片的接地电缆 (14 AWG (2 mm²), 最小 90°C 的导线), 由授权电工接线, 接地点间隔 0.625 in. (15.86 mm)
- 用于将接地片固定至交换机的两个 10-32 x 1/4-in. 螺丝与弹簧垫圈
- 安装有 RJ-45 连接器的以太网电缆 (提供)
- 一台带以太网端口的管理主机, 如 PC 或便携式计算机

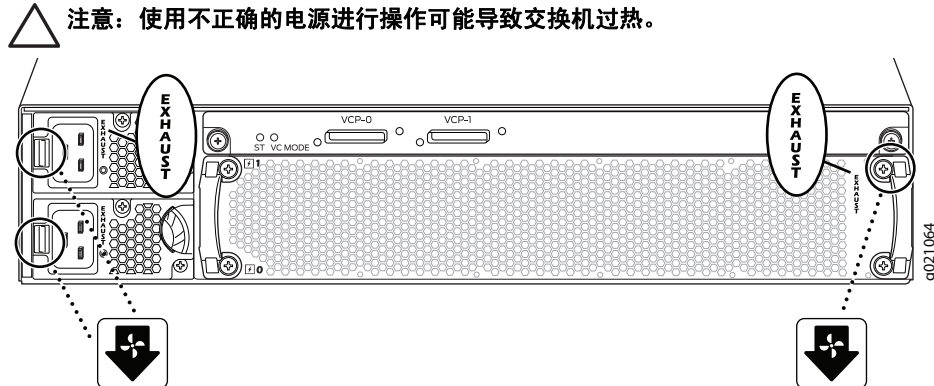
注意: 有关四柱式机架或机柜的安装信息及其他信息, 请参阅 Dell PowerConnect J-EX4500 交换机文档, 网址为 <http://www.support.dell.com/manuals>。

第 1 部分: 在交换机中安装电源 (若尚未安装)

1. 确保有正确的电源:

- 验证顶出器杆与交换机后方风扇托盘把手上的箭头是否都指向一个方向。
- 验证电源与风扇托盘标签是否相符, 全都标示为 EXHAUST 或 INTAKE。

注意: 使用不正确的电源进行操作可能导致交换机过热。



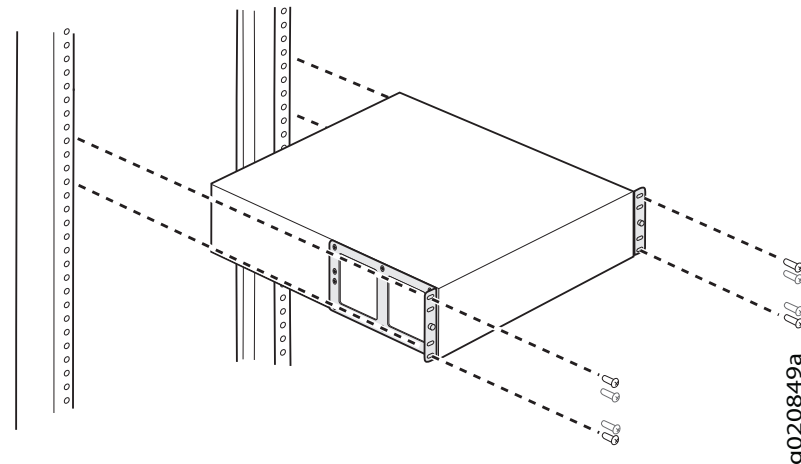
2. 注意不要碰到电源引脚、引线或焊接处; 从袋中取出电源。

3. 用两只手将电源放到交换机后面板上的电源插槽中, 然后将其滑入, 直到完全固定住为止。
4. 如有需要, 对第二个电源重复上述步骤。

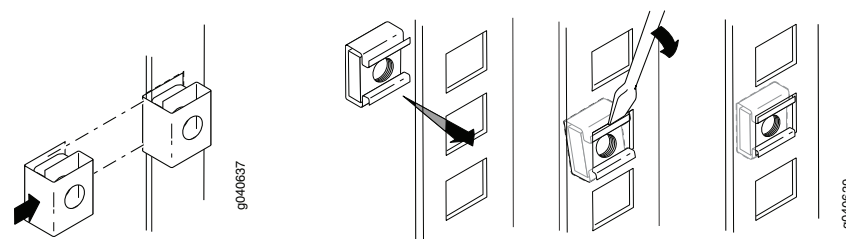
第 2 部分: 安装交换机

注意: 根据交换机内安装的组件的情况, 一个交换机的重量可达到 40 磅 (18 kg)。安装时, 需要一个人抬起交换机, 另一个人将其固定至机架。

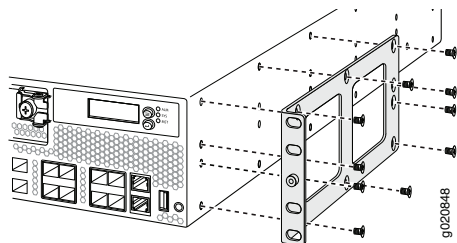
1. 将机架放在留有足够空隙、便于空气流通和维护的永久位置, 并将其固定到建筑结构上。
2. 如果安装场地有冷热通道要求, 请检查交换机背面的标签, 确定对机箱进行正面安装还是背面安装:
 - EXHAUST - 热空气从风扇托盘和电源排出 (由前到后的气流)。
 - INTAKE - 热空气从机箱正面排出 (由后到前的气流)。
- 注意:** 如果要在机架上安装多个设备, 应将最重的设备安装在底部, 然后由下至上安装由重到轻的其他设备。
3. 确定机架上要安装交换机的位置。



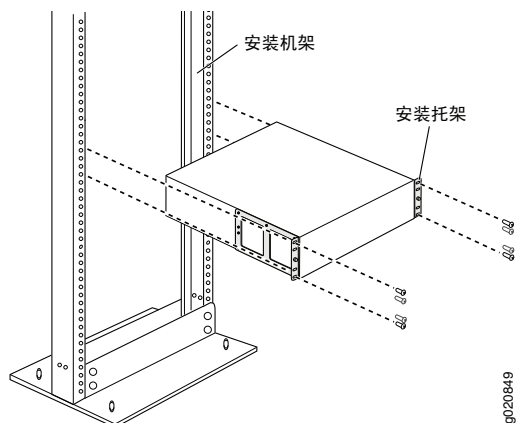
4. 如果机架需要锁紧螺母, 则在每个机架柱上处于同一水平面的 4 个间距合适的孔内, 安装圆孔锁紧螺母 (夹紧螺母) 或方孔锁紧螺母及垫圈。



5. 将交换机置于平整、稳定的平面上。
6. 根据交换机是进行正面安装还是背面安装，沿机箱侧面板的正面或背面对齐安装托架。
7. 用安装螺丝连接安装托架与机箱，然后拧紧螺丝。



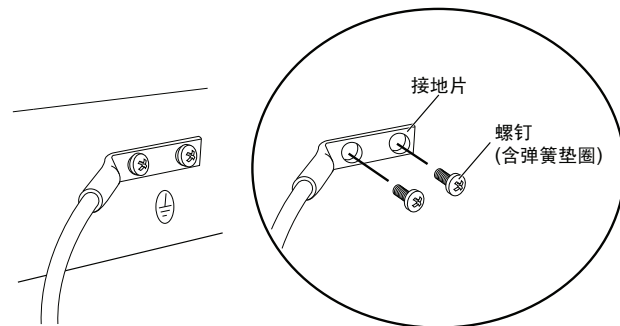
8. 让一个人握住交换机的两侧，将其抬起，然后放在机架中，使安装托架孔与机架柱孔对齐，从而使每个托架底部的孔与每个机架柱中同一平面上的孔对齐。



9. 由另一个人将机架安装螺丝安装到每个孔中，使交换机固定至机架。
10. 确保机箱处于水平状态后，拧紧螺丝。

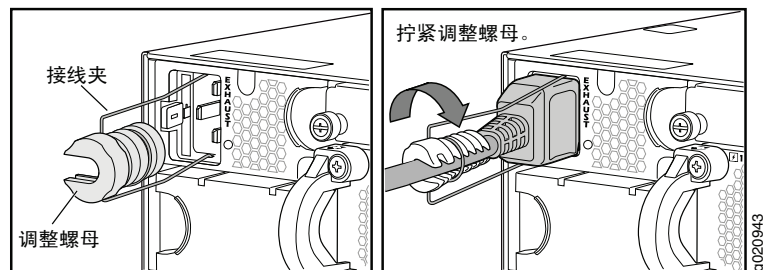
第 3 部分：将交换机接地

1. 将接地电缆的一端连接到合适的接地点，如交换机的安装机架。
2. 将连接到接地电缆的接地片置于机箱（朝向后方）左侧的保护接地端子，然后拧紧螺丝和垫圈，将接地片固定到端子。



第 4 部分：将跳接线连接到电源上

1. 捏住跳接线接线夹的两侧，将接线夹的 L 形末端插入 AC 设备插座两侧托架上的插孔中。



2. 将跳接线的耦合器端插入 AC 设备插座。
3. 朝电源线方向推接线夹，直到滑入调整螺母的卡槽中。
4. 旋转螺母，直到其牢固固定到耦合器底座且螺母中的卡槽从交换机顶部旋转 90° 为止。
5. 如果 AC 电源插座具有电源开关，请将其调到 OFF (0) 位置。
6. 如有需要，对第二个电源重复上述步骤。

注意：此时请勿接通交换机电源。您将在初始配置中接通电源。由于电源接通顺序有助于确定主地位，因此对于虚拟机箱配置而言，电源接通时间尤为重要。

第 5 部分：确定如何操作 J-EX4500 交换机

- **独立** - 要将 J-EX4500 作为独立交换机进行操作，请转到第 3 页的第 6 部分，连接电源并进行初始配置。
- **J-EX4500 虚拟机箱** - 要通过另一台 J-EX4500 交换机创建虚拟机箱，请转到第 4 页的第 7 部分。
- **混合式虚拟机箱** - 要通过最多八台 J-EX4200 交换机和最多一台 J-EX4500 交换机创建虚拟机箱，请转到第 4 页的第 8 部分。

注意：虽然 J-EX4500 交换机出厂时已安装虚拟机箱模块，但要进行虚拟机箱操作，除了硬件连接外，还需要一些准备工作。在未阅读相应说明之前，请勿将多台交换机实际连接到虚拟机箱中。

您也可以将 J-EX4500 交换机加到现有 J-EX4200 虚拟机箱或者 J-EX4200 与 J-EX4500 混合式虚拟机箱内。有关这些说明，请参阅 Dell PowerConnect J-EX 系列文档，网址为 <http://www.support.dell.com/manuals>。

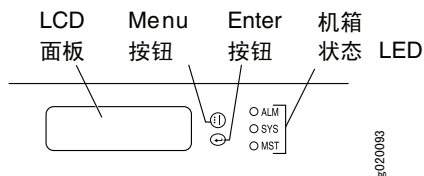
注意：您可以通过 J-Web 界面配置和管理独立的 J-EX4500 交换机，但 J-Web 界面不支持 J-EX4500 虚拟机箱或混合式虚拟机箱的配置和管理。

第 6 部分：接通交换机电源并进行初始配置

注意：如果交换机将成为 J-EX4500 虚拟机箱的一部分，请先转到第 4 页的第 7 部分。如果交换机将成为混合式虚拟机箱的一部分，则先转到第 4 页的第 8 部分。

在开始配置之前，请先阅读以下步骤：

1. 将跳接线插头插入交换机的电源插座。
2. 如果 AC 电源插座具有电源开关，请将其调到 ON (I) 位置。
3. 验证每个电源上的 LED 是否都发出表示正常工作的稳定的绿光。
4. 启用要连接至交换机的管理 PC 或便携式计算机上的 DHCP 客户端，使管理设备可以动态获取 IP 地址。
5. 熟悉 LCD 面板、Menu 按钮和 Enter 按钮以及机箱状态 LED。



交换机处于初始设置模式时，LCD 面板会显示倒计时器。必须使用 EZSetup 在 10 分钟内完成初始配置。交换机在 10 分钟后会退出 EZSetup，并恢复为出厂缺省配置，同时 PC 或便携式计算机断开与交换机的连接。

6. 将交换机转换为初始设置模式：
 - 按下 Menu 按钮，直到显示 MAINTENANCE MENU 为止。然后按下 Enter 按钮。
 - 按下 Menu 按钮，直到显示 EZSetup 为止。然后按下 Enter 按钮。

如果 EZSetup 未显示为菜单中的选项，请选择 **Factory Default**，将交换机恢复到出厂缺省配置。只有将交换机设置为出厂缺省配置，菜单中才会显示 EZSetup。

- 按 Enter 按钮确认设置，然后继续执行 EZSetup。

7. 将以太网电缆从 PC 或便携式计算机上的以太网端口，连接至交换机前面板上的 MGMT 端口 (me0)。

me0 接口（端口标示为 MGMT）即使用缺省 IP 地址 192.168.1.1 来配置为 DHCP 服务器。交换机可以将 192.168.1.2 到 192.168.1.253 的 IP 地址分配给管理 PC 或便携式计算机。

8. 在 PC 或便携式计算机中，打开 Web 浏览器，在地址字段键入 <http://192.168.1.1>，然后按 Enter 键。
9. 在 J-Web Login 页面上，输入 root 作为用户名，将密码字段保留空白，然后单击 Login。
10. 在 Introduction 页面中单击 Next。

注意：如果配置的是虚拟机箱主交换机，则在第 11 步到第 14 步输入的值会应用至虚拟机箱内的所有交换机。

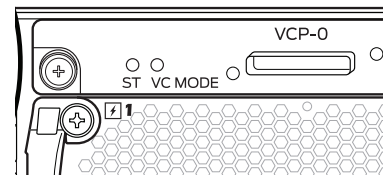
11. 在 Basic Settings 页面上，输入主机名，输入并重新输入密码，指定时区，然后使交换机日期和时间与管理 PC 或便携式计算机同步或手动设置交换机时间和日期，再单击 Next。
12. 在 Management Options 页面上，选择 **Out-of-band Management—Configure management port**，配置管理接口，然后单击 Next。
13. 为管理接口指定 IP 地址和缺省网关。
14. 单击 Next。在 Manage Access 页面上，可以选择选项来启用 Telnet、SSH 和 SNMP 服务。对于 SNMP，可配置读取公共组、位置和联系方式。
15. 单击 Next。Summary 页面将显示所选择的设置。
16. 单击 Finish。该配置即成功设置为活动交换机配置。

注意：如果管理 PC 或便携式计算机与交换机之间的连接断开，请在 PC 或便携式计算机上输入相应命令以更新 IP 地址，或拔出并重新插入以太网电缆，使其重新连接。

17. 登录到命令行界面 (CLI) 并将模式设为内部连接（仅针对独立操作）：

```
user@switch> request chassis pic-mode intraconnect
```

验证虚拟机箱模块上的绿色 ST（状态）LED 是否保持亮起，VC MODE LED 是否熄灭（仅针对独立操作）。



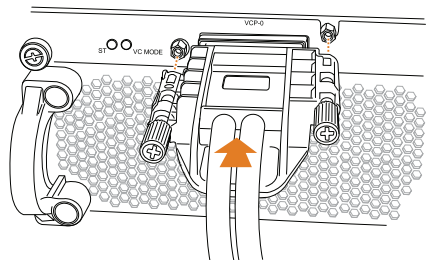
18. 观察 LCD 面板右侧的琥珀黄色 ALM（警示）LED。

琥珀黄色（轻微）警示 LED 亮起属于正常情况。表示交换机未设置救援配置。要将当前配置保存为可利用 rollback 命令进行返回的救援配置，请登录 CLI 并输入

```
user@switch> request system configuration rescue save
```

第 7 部分：用两台 J-EX4500 交换机创建 J-EX4500 虚拟机箱

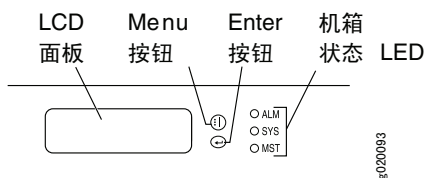
1. 验证这两台 J-EX4500 交换机是否均运行相同版本的 Junos 操作系统 (Junos OS)。
2. 通过虚拟机箱电缆和电缆连接器接线器，使用每台交换机背面的专用虚拟机箱端口 (VCP) 将两台 J-EX4500 交换机互连。



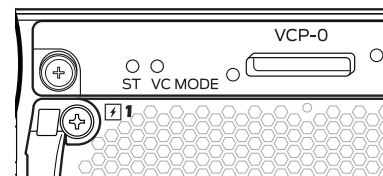
3. 记录虚拟机箱中要连接的交换机的序列号，然后选择主交换机，首先接通其电源并进行配置。
4. 在主交换机上，连接电源并进行初始配置。请参阅第 3 页的第 6 部分。
5. (可选) 在主交换机上，输入配置模式，然后配置虚拟管理以太网 (VME) 接口，以进行虚拟机箱的超出带宽管理：

```
user@switch> configure
user@switch# set interfaces vme unit 0 family inet address ip-address
```
6. 在主交换机上，指定预先准备的配置模式，为这两台交换机分配路由引擎角色，然后提交配置：

```
user@switch# edit virtual-chassis
user@switch# set preprovisioned
user@switch# set member 0 serial-number serial-number role routing-engine
user@switch# set member 1 serial-number serial-number role routing-engine
user@switch# commit
```
7. 接通另一台 J-EX4500 交换机的电源，无需进行初始配置，然后验证每个电源上的 LED 是否都发出表示正常工作的稳定的绿光。
8. 在主交换机上，验证 LCD 面板右侧的绿色 MST (主) LED 是否保持亮起。



9. 在虚拟机箱中的两台交换机上，验证虚拟机箱模块上的绿色 ST (状态) 和 VC MODE LED 是否保持亮起。



第 8 部分：创建混合式 J-EX4200 和 J-EX4500 虚拟机箱

注意：在未阅读以下说明之前，请勿将多台交换机实际连接到虚拟机箱中。

您的交换机可以是由最多八台 J-EX4200 交换机和一台 J-EX4500 交换机组成的虚拟机箱配置的一部分。J-EX4500 交换机必须作为主交换机。

以下说明介绍了如何在预先准备的配置中配置两台 J-EX4500 交换机和两台 J-EX4200 交换机 - 这些交换机均非当前虚拟机箱内的交换机。强烈建议预先准备混合式虚拟机箱。

1. 确保混合式虚拟机箱的两台 J-EX4200 交换机均经过初始配置。请参阅 Dell PowerConnect J-EX4200 交换机文档，网址为 <http://www.support.dell.com/manuals>。
2. 验证混合式虚拟机箱内要连接的 J-EX4200 交换机和 J-EX4500 交换机是否均运行相同版本的 Junos OS。
3. 记录虚拟机箱内要连接的交换机的序列号，然后选择一台 J-EX4500 交换机作为主交换机。
4. 先接通 J-EX4500 主交换机的电源，然后接通另一台 J-EX4500 交换机的电源。对于未预先配置的交换机，请参阅第 3 页的第 6 部分。
5. 将这两台 J-EX4500 交换机设为混合式虚拟机箱模式，然后重新启动每台交换机：

```
user@switch> request virtual-chassis mode mixed
user@switch> request system reboot
```
6. 接通虚拟机箱内的两台 J-EX4200 交换机的电源。
7. 将这两台 J-EX4200 交换机设为混合式虚拟机箱模式，然后重新启动每台交换机：

```
user@switch> request virtual-chassis mode mixed
user@switch> request system reboot
```
8. (可选) 重新登录到主交换机，输入配置模式，然后配置虚拟管理以太网 (VME) 接口，以进行虚拟机箱的超出带宽管理：

```
user@switch> configure
user@switch# set interfaces vme unit 0 family inet address ip-address
```

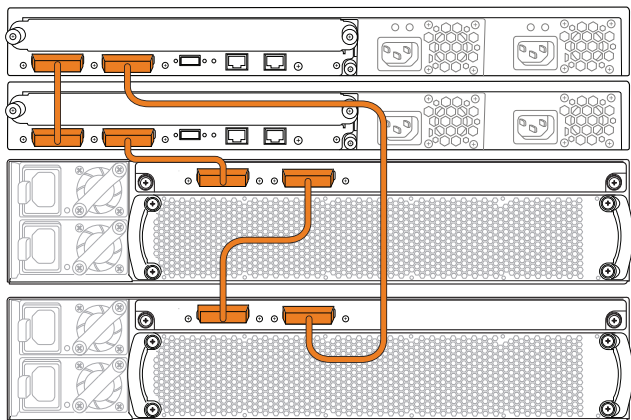

9. 在主交换机上，指定预先准备的配置模式，然后为这两台 J-EX4500 交换机（包括主交换机）分配 **routing-engine** 角色：

```
user@switch# edit virtual-chassis
user@switch# set preprovisioned
user@switch# set member member-id-1 serial-number
serial-number-1 role routing-engine
user@switch# set member member-id-2 serial-number
serial-number-2 role routing-engine
```

10. 在主交换机上，通过为这两台 J-EX4200 交换机分配线卡角色继续进行预先准备，然后提交配置：

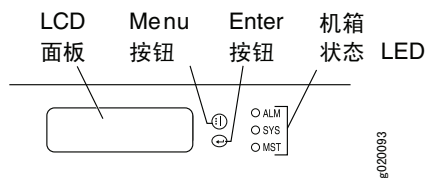
```
user@switch# set member member-id-3 serial-number
serial-number-3 role linecard
user@switch# set member member-id-4 serial-number
serial-number-4 role linecard
user@switch# commit
```

11. 通过四根虚拟机箱电缆和电缆连接器接线器，使用每台交换机背面的专用 VCP 将四台交换机互连。

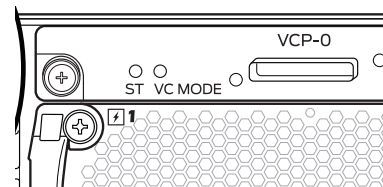


12. 在主交换机上：

- 验证 LCD 面板右侧的绿色 MST（主）LED 是否保持亮起。



- 验证虚拟机箱模块上的绿色 ST（状态）和 VC MODE LED 是否保持亮起。



13. 在另一台 J-EX4500 交换机上，验证绿色 MST LED 是否闪烁，绿色 ST 和 VC MODE LED 是否保持亮起。

14. 在两台 J-EX4200 线卡交换机上，验证 LCD 面板右侧的 MST LED 是否熄灭。

安全警告汇总

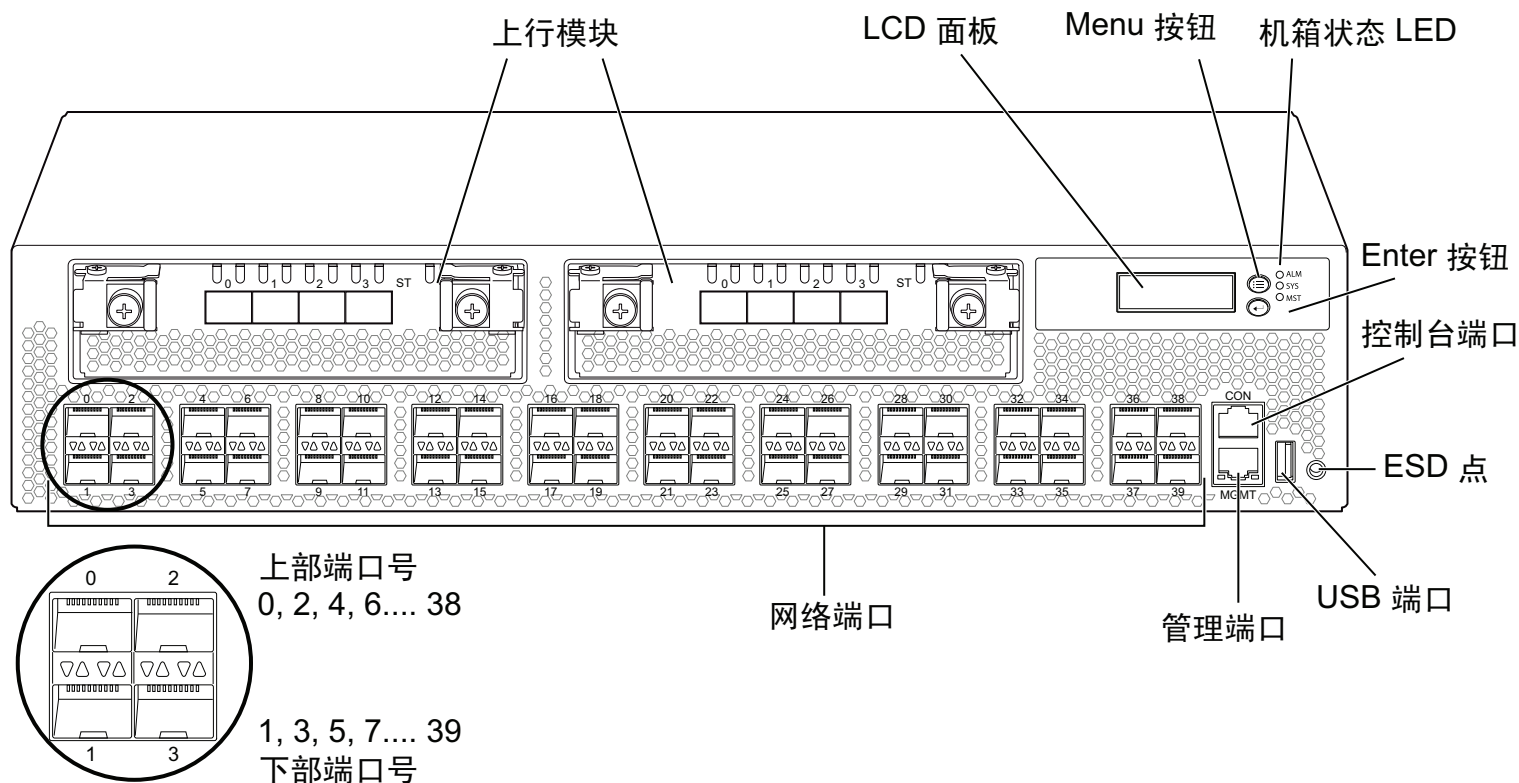
本部分为安全警告的汇总。如需完整警告列表（包括译文），请参阅 Dell PowerConnect J-EX4500 交换机文档，网址为 <http://www.support.dell.com/manuals>。

警告：不遵守这些安全警告可能会造成人身伤害或死亡。

- 只允许经过培训并取得资格认证的人员安装或更换交换机组件。
- 请仅执行此快速入门与 J-EX4500 交换机文档中所述的步骤。只有经授权的维修人员方可执行其他维修操作。
- 在安装交换机之前，请先阅读 J-EX4500 交换机文档中的计划说明，确保场地符合交换机的电源、环境和周围空间要求。
- 在将交换机连接至电源之前，请先阅读 J-EX4500 交换机文档中的安装说明。
- 含一个电源的 J-EX4500 交换机重量为 37 磅（17 kg）。含两个电源的交换机重量为 40 磅（18 kg）。将交换机安装到机架时，需要一个人抬起交换机，另一个人安装安装螺丝。为防止受伤，请将后背挺直，用腿而不是后背的力量来抬设备。
- 如果机架具有稳定设备，请首先安装这些设备，然后再在机架中安装或维修交换机。
- 在安装电气元件之前或卸下电气元件之后，请使元件侧面朝上，将其放置在平坦的防静电表面上或防静电袋中。
- 请勿在雷暴期间对交换机进行操作或者连接 / 断开电缆。
- 在操作连接到电源线的设备之前，请先摘下佩戴的饰物，包括戒指、项链和手表。金属体在连接到电源和地面时会发热，可能会导致严重的烧焦或与接线端相熔接。

请联系 Dell Inc.

要获取技术支持，请访问 <http://www.support.dell.com>。



9021071

本文档中的信息如有更改，恕不另行通知。本文中使用的商标：Dell™、DELL™ 标志和 PowerConnect™ 为 Dell Inc. 的商标。Juniper Networks® 和 Junos® 为 Juniper Networks, Inc. 在美国与其他国家 / 地区的注册商标。所有其他商标、服务标志、注册商标或注册服务标志均属其各自所有者的资产。Juniper Networks 对本文档中的任何错误不承担任何责任。Juniper Networks 保留变更、修改、转印或另外修订本出版物而不另行通知的权利。Juniper Networks 制造或销售的产品或者相关组件可能受到以下 Juniper Networks 拥有或得到授权的一项或多项专利的保护：美国专利编号 5,473,599、5,905,725、5,909,440、6,192,051、6,333,650、6,359,479、6,406,312、6,429,706、6,459,579、6,493,347、6,538,518、6,538,899、6,552,918、6,567,902、6,578,186 和 6,590,785。

版权所有 © 2011, Juniper Networks, Inc. 保留所有权利。未经 Juniper Networks 书面许可，严禁以任何方式复制这些材料。

Juniper Networks 产品编号：530-038616-ZH-HANS. 修订版本 01, 2011 年 4 月 30 日。



Commutateur Ethernet Dell PowerConnect J-Series J-EX4500 - Guide de mise en route

Pour installer et configurer un commutateur Ethernet Dell PowerConnect J-Series J-EX4500 (numéro de modèle réglementaire EX4500) sur une baie ou une armoire à deux montants de 19 po, vous avez besoin des outils suivants :

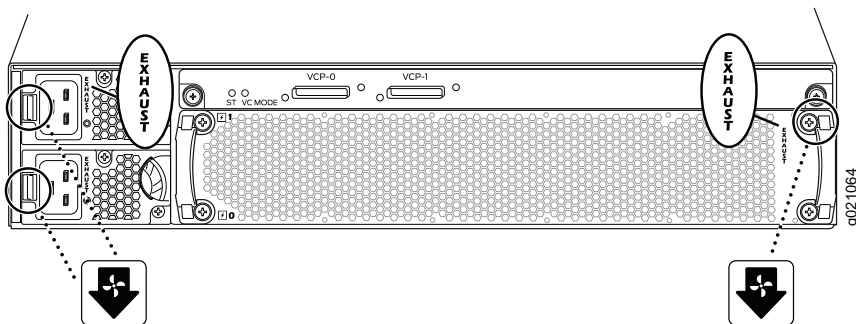
- deux supports de montage et 20 vis de montage (fournis) ;
- un tournevis cruciforme (+) n° 2 ;
- 8 vis de montage en baie (et 8 écrous à cage et rondelles si la baie les requiert) de taille et de type appropriés pour fixer solidement le châssis à la baie ou à l'armoire (fournis) ;
- un tournevis à lame plate (-) si vous installez le commutateur dans une baie à trous carrés non filetés ;
- un câble de raccordement et son clip de fixation pour chaque bloc d'alimentation (fournis) ;
- pour une connexion Virtual Chassis ; un ou plusieurs câbles et clips de fixation de connecteur de câble Virtual Chassis ;
- un câble de mise à la terre (2 mm² [14 AWG], fil résistant à 90 °C minimum) avec œillet de mise à la terre fixé par un électricien professionnel, pour points de mise à la terre espacés de 0,625 po (15,86 mm) ;
- deux vis 10-32 x 1/4 po avec rondelles élastiques pour fixer l'œillet de mise à la terre au commutateur ;
- un câble Ethernet doté d'un connecteur RJ-45 (fourni) ;
- un hôte de gestion, comme un ordinateur de bureau ou portable, doté d'un port Ethernet.

REMARQUE : pour plus d'informations sur l'installation dans une baie ou une armoire à quatre montants et d'autres informations, consultez la documentation du commutateur PowerConnect J-EX4500, sur le site Web <http://www.support.dell.com/manuals>.

Partie 1 : Installation du bloc d'alimentation du commutateur (si nécessaire)

1. Assurez-vous d'avoir le bloc d'alimentation correct :
 - Vérifiez que le levier de dégagement et les flèches des poignées du bloc de ventilation situés à l'arrière du commutateur pointent tous vers la même direction.
 - Vérifiez que les étiquettes du bloc d'alimentation et du bloc de ventilation correspondent (toutes doivent indiquer EXHAUST ou INTAKE).

ATTENTION : l'utilisation du commutateur avec un bloc d'alimentation inapproprié peut entraîner une surchauffe du commutateur.



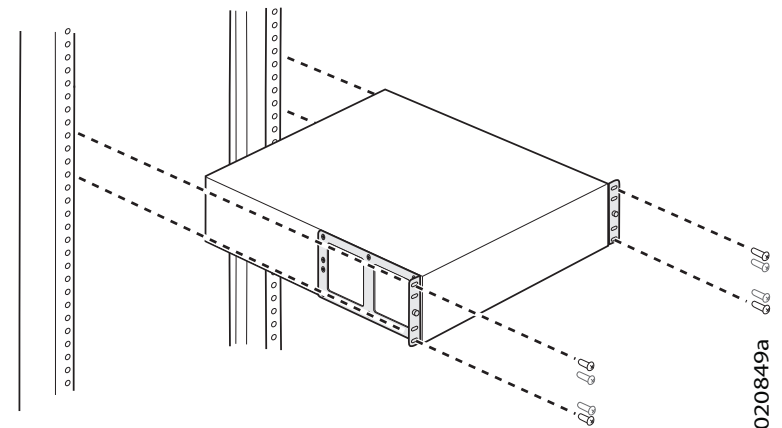
2. En veillant à ne pas toucher les broches, fils ou connexions soudées du bloc d'alimentation, sortez le bloc d'alimentation de son emballage.

3. Manipulez le bloc d'alimentation à deux mains. Déposez-le dans son emplacement sur le panneau arrière du commutateur et faites-le glisser jusqu'à ce qu'il soit correctement installé.
4. Répétez cette procédure sur le deuxième bloc d'alimentation, si nécessaire.

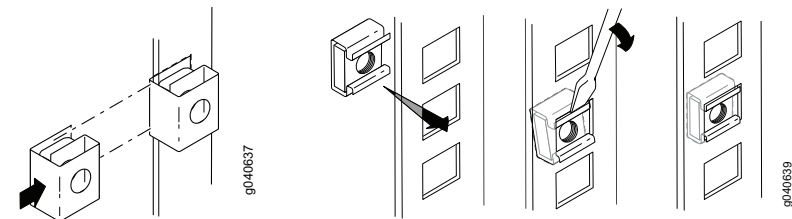
Partie 2 : Montage du commutateur

REMARQUE : un commutateur peut peser jusqu'à 40 lb (18 kg) en fonction des composants installés. Pour installer le commutateur, deux personnes sont nécessaires : une pour soulever le commutateur et une autre pour le fixer à la baie.

1. Placez la baie dans son emplacement définitif, en veillant à maintenir suffisamment d'espace pour la circulation d'air et la maintenance, et fixez-la à la structure du bâtiment.
2. Si votre site comporte des exigences en matière de confinement allées chaudes/allées froides, contrôlez les étiquettes à l'arrière du commutateur pour déterminer si un montage avant ou arrière du châssis est nécessaire :
 - EXHAUST : l'air chaud sort par le bloc de ventilation et les blocs d'alimentation (flux d'air d'avant en arrière).
 - INTAKE : l'air chaud sort par l'avant du châssis (flux d'air d'arrière en avant).
- REMARQUE :** si vous montez plusieurs unités dans la baie, installez au bas de cette dernière l'unité la plus lourde, puis installez les autres de bas en haut, de la plus lourde à la plus légère.
3. Déterminez l'emplacement sur la baie auquel vous souhaitez monter le commutateur.

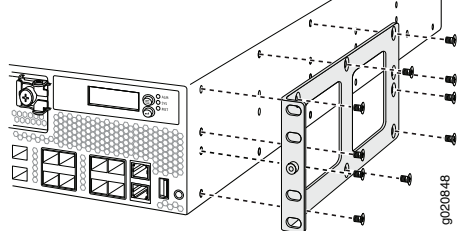


4. Si la baie nécessite des écrous à cage, installez un écrou à cage à trou rond (écrou de clip) ou à trou carré (et une rondelle) dans 4 trous espacés de manière appropriée au même niveau sur chaque montant de la baie.

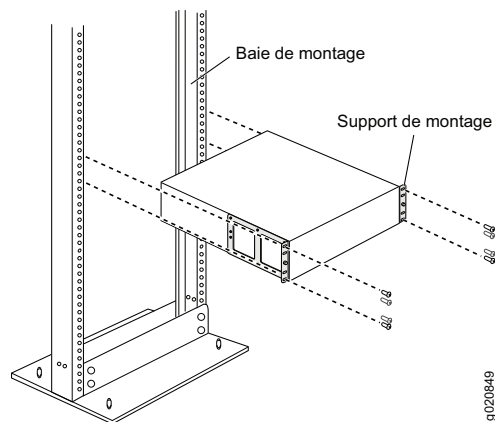


Commutateur Ethernet Dell PowerConnect J-Series J-EX4500 - Guide de mise en route (page 2)

5. Posez le commutateur sur une surface plane et stable.
6. Alignez les supports de montage à l'avant ou à l'arrière des panneaux latéraux du châssis selon le montage du châssis (avant ou arrière).
7. Fixez les supports de montage au châssis avec les vis de montage et serrez les vis.



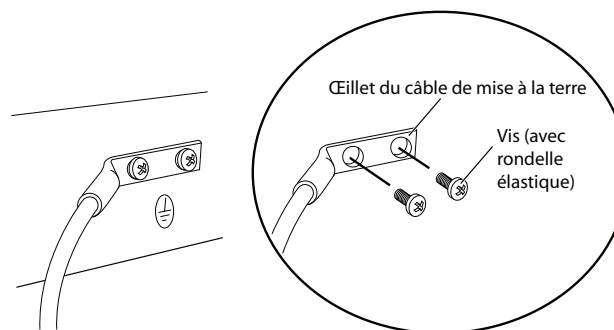
8. Une première personne doit saisir le commutateur par ses deux côtés, le soulever et le placer dans la baie, en alignant les trous des supports de montage sur les trous des montants de la baie, de sorte que le trou inférieur de chaque support soit aligné sur un trou de même niveau sur un montant de baie.



9. Une deuxième personne installe une nouvelle vis de montage de baie dans chaque trou afin de fixer le commutateur à la baie.
10. Après vous être assuré que le châssis est bien de niveau, serrez les vis.

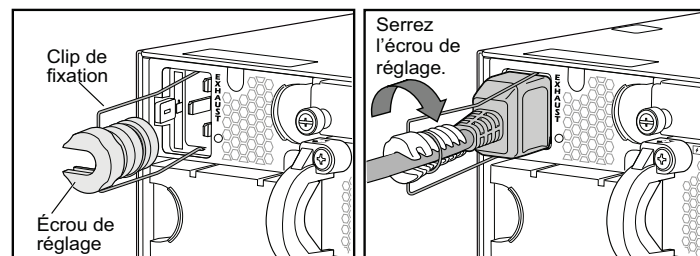
Partie 3 : Raccordement du commutateur à la terre

1. Connectez une extrémité du câble de mise à la terre à une terre correcte, comme la baie dans laquelle le commutateur est monté.
2. Placez l'œillet de mise à la terre fixé au câble de mise à la terre sur la borne de mise à la terre de protection du côté gauche du châssis (vers l'arrière), puis fixez l'œillet à la borne en serrant les vis et les rondelles.



Partie 4 : Fixation du câble de raccordement au bloc d'alimentation

1. Appuyez sur les deux côtés du clip de fixation du câble de raccordement et insérez les fiches en L du clip dans les trous du support de chaque côté du connecteur d'alimentation CA.



2. Branchez la fiche de couplage du câble de raccordement sur le connecteur d'alimentation CA.
3. Pousser le clip de fixation vers le câble jusqu'à ce que le câble glisse dans le logement qui lui est réservé dans l'écrou de réglage.
4. Serrez bien l'écrou contre la base du système de couplage, l'ouverture de son logement intérieur étant tournée à 90° par rapport à la face du dessus du commutateur.
5. Si la prise électrique CA est dotée d'un interrupteur, mettez ce dernier en position d'arrêt (OFF - 0).
6. Répétez cette procédure sur le deuxième bloc d'alimentation, si nécessaire.

REMARQUE : ne mettez pas le commutateur sous tension pour le moment. La mise sous tension aura lieu lors de la configuration initiale. La planification de la mise sous tension est particulièrement importante pour les configurations Virtual Chassis, car l'ordre de mise sous tension permet de déterminer la maîtrise.

Partie 5 : Détermination du fonctionnement du commutateur J-EX4500

- **Autonome :** pour utiliser votre commutateur J-EX4500 comme commutateur autonome, passez à la Partie 6, page 3 pour connecter l'alimentation et effectuer la configuration initiale.
- **Module Virtual Chassis J-EX4500 :** pour créer un module Virtual Chassis avec un autre commutateur J-EX4500, passez à la Partie 7, page 4.
- **Module Virtual Chassis mixte :** pour créer un module Virtual Chassis avec huit commutateurs J-EX4200 maximum et un autre commutateur J-EX4500, passez à la Partie 8, page 4.

Commutateur Ethernet Dell PowerConnect J-Series J-EX4500 - Guide de mise en route (page 3)

ATTENTION : même si les commutateurs J-EX4500 sont fournis avec le module Virtual Chassis installé, le fonctionnement du module Virtual Chassis nécessite une préparation au-delà de la connexion du matériel. Ne connectez pas physiquement plusieurs commutateurs dans un module Virtual Chassis avant d'avoir pris connaissance des instructions correspondantes.

Vous pouvez également ajouter le commutateur J-EX4500 à un module Virtual Chassis J-EX4200 existant ou à un module Virtual Chassis mixte J-EX4200 et J-EX4500. Pour les instructions, consultez la documentation Dell PowerConnect J-EX Series, sur le site Web <http://www.support.dell.com/manuals>.

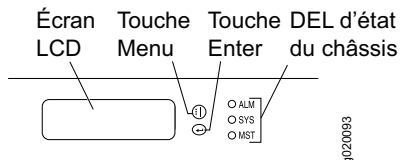
REMARQUE : vous pouvez configurer et gérer un commutateur J-EX4500 autonome avec l'interface J-Web, mais l'interface J-Web ne prend pas en charge la configuration et la gestion d'un module Virtual Chassis J-EX4500 ou d'un module Virtual Chassis mixte.

Partie 6 : Mise sous tension du commutateur et configuration initiale

REMARQUE : si le commutateur est destiné à s'intégrer dans un module Virtual Chassis J-EX4500, passez d'abord à la Partie 7, page 4. Pour un module Virtual Chassis mixte, passez d'abord à la Partie 8, page 4.

Avant de commencer la configuration, lisez la totalité de la procédure suivante :

1. Insérez la fiche du câble de raccordement dans la prise de la source d'alimentation du commutateur.
2. Si la prise électrique CA est dotée d'un interrupteur, mettez ce dernier en position de marche (ON - |).
3. Vérifiez que la DEL de chaque bloc d'alimentation est allumée en vert, indiquant un fonctionnement normal.
4. Activez un client DHCP sur l'ordinateur de bureau ou portable de gestion auquel vous allez connecter le commutateur afin que le dispositif de gestion puisse obtenir une adresse IP de manière dynamique.
5. Familiarisez-vous avec l'écran LCD, les touches Menu et Enter, et les DEL d'état.



L'écran LCD affiche un compte à rebours lorsque le commutateur est en mode de configuration initiale. Vous disposez de 10 minutes pour procéder à la configuration initiale à l'aide de la fonction EZSetup. Au bout de 10 minutes, le commutateur désactive la fonction EZSetup et revient à sa configuration définie en usine. La communication entre l'ordinateur de bureau ou portable et le commutateur est alors interrompue.

6. Faites passer le commutateur en mode de configuration initiale :
 - Appuyez sur la touche Menu jusqu'à ce que MAINTENANCE MENU s'affiche. Appuyez ensuite sur la touche Enter.
 - Appuyez sur la touche Menu jusqu'à ce que EZSetup s'affiche. Appuyez ensuite sur la touche Enter.

Si l'option EZSetup ne s'affiche pas dans le menu, sélectionnez **Factory Default** pour rétablir la configuration par défaut définie en usine du commutateur. L'option EZSetup n'est répertoriée dans ce menu que si le commutateur est paramétré conformément à sa configuration par défaut définie en usine.

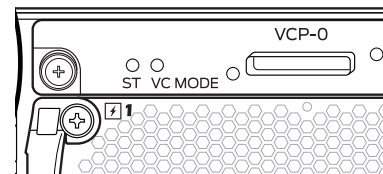
- Appuyez sur la touche Enter pour valider la configuration et poursuivre avec la fonction EZSetup.
7. Branchez le câble Ethernet sur le port Ethernet de l'ordinateur de bureau ou portable et sur le port MGMT (me0) du panneau avant du commutateur.

L'interface me0 (port MGMT) est configurée comme serveur DHCP, avec l'adresse IP par défaut 192.168.1.1. Le commutateur peut attribuer une adresse IP à l'ordinateur de bureau ou portable de gestion dans la plage d'adresses 192.168.1.2 à 192.168.1.253.

8. Sur l'ordinateur de bureau ou portable, ouvrez un navigateur Web, saisissez <http://192.168.1.1> dans le champ d'adresse et appuyez sur la touche Enter.
9. Dans la page de connexion à l'interface J-Web, saisissez le nom d'utilisateur root, n'indiquez aucun mot de passe et cliquez sur **Login**.
10. Dans la page Introduction, cliquez sur **Next**.
REMARQUE : si vous configurez un commutateur maître Virtual Chassis, les valeurs saisies lors des étapes 11 à 14 sont appliquées à tous les commutateurs membres Virtual Chassis.
11. Dans la page Basic Settings, saisissez le nom de l'hôte, indiquez deux fois votre mot de passe, précisez votre fuseau horaire, puis synchronisez les paramètres de date et d'heure du commutateur avec l'ordinateur de bureau ou portable de gestion, ou définissez-les manuellement, puis cliquez sur **Next**.
12. Dans la page Management Options, sélectionnez **Out-of-band Management—Configure management port** pour configurer l'interface de gestion et cliquez sur **Next**.
13. Indiquez l'adresse IP et la passerelle par défaut de l'interface de gestion.
14. Cliquez sur **Next**. Dans la page Manage Access, vous pouvez sélectionner différentes options pour activer des services Telnet, SSH et SNMP. Pour les services SNMP, vous pouvez configurer leur communauté disposant de droits en lecture, leur emplacement et leur contact.
15. Cliquez sur **Next**. La page Summary récapitule les paramètres que vous avez sélectionnés.
16. Cliquez sur **Finish**. Cette configuration est validée comme configuration du commutateur actif.
REMARQUE : en cas de perte de la connectivité entre l'ordinateur de bureau ou portable de gestion et le commutateur, reconnectez-les en exécutant les commandes appropriées sur l'ordinateur de bureau ou portable pour publier et renouveler l'adresse IP (ou retirez et réinsérez le câble Ethernet).
17. Pour le fonctionnement autonome uniquement, connectez-vous à l'interface de ligne de commande (CLI) et définissez le mode sur l'intraconnexion :

```
user@switch> request chassis pic-mode intraconnect
```

Pour le fonctionnement autonome uniquement, vérifiez que la DEL (d'état) ST verte du module Virtual Chassis est allumée en continu et que la DEL VC MODE est éteinte.

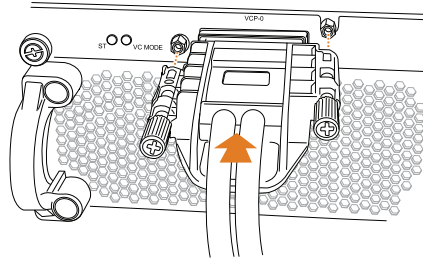


18. Observez la DEL d'alarme jaune sur la droite de l'écran LCD. Il est normal que la DEL d'alarme (mineure) soit allumée en orange. Cela indique qu'aucune configuration de sauvegarde n'est définie sur le commutateur. Pour enregistrer la configuration actuelle comme configuration de sauvegarde pouvant être rétablie par la commande rollback, connectez-vous à l'interface de ligne de commande et saisissez

```
user@switch> request system configuration rescue save
```

Partie 7 : Création d'un module Virtual Chassis J-EX4500 avec deux commutateurs J-EX4500

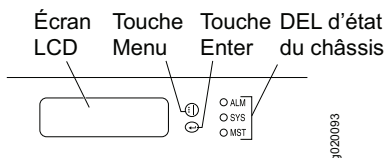
1. Vérifiez que les deux commutateurs J-EX4500 exécutent la même version du système d'exploitation Junos.
2. Avec un câble et un clip de fixation de connecteur de câble Virtual Chassis, interconnectez les commutateurs J-EX4500 à l'aide d'un port Virtual Chassis (VCP) dédié, situé à l'arrière de chaque commutateur.



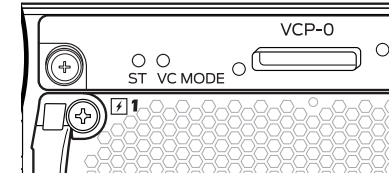
3. Notez les numéros de série des commutateurs à connecter au module Virtual Chassis et sélectionnez un commutateur maître à alimenter et à configurer en premier.
4. *Sur le commutateur maître uniquement*, connectez l'alimentation et effectuez la configuration initiale. Consultez la partie 6, page 3.
5. (Facultatif) Sur le commutateur maître, indiquez le mode de configuration et configurez l'interface Ethernet de gestion virtuelle (VME) pour la gestion hors bande du module Virtual Chassis :

```
user@switch> configure
user@switch# set interfaces vme unit 0 family inet address ip-address
```
6. Sur le commutateur maître, spécifiez le mode de configuration prédéfini, affectez le rôle **routing-engine** aux deux commutateurs et validez la configuration :

```
user@switch# edit virtual-chassis
user@switch# set preprovisioned
user@switch# set member 0 serial-number serial-number role routing-engine
user@switch# set member 1 serial-number serial-number role routing-engine
user@switch# commit
```
7. Mettez le commutateur J-EX4500 sous tension (aucune configuration initiale n'est nécessaire) et vérifiez que la DEL de chaque alimentation est allumée en vert, indiquant un fonctionnement normal.
8. Sur le commutateur maître, vérifiez que la DEL MST (maître) verte sur la droite de l'écran LCD est allumée.



9. Sur les deux commutateurs du module Virtual Chassis, vérifiez que les DEL ST (état) et VC MODE vertes sur le module Virtual Chassis sont allumées.



Partie 8 : Création d'un module Virtual Chassis mixte J-EX4200 et J-EX4500

ATTENTION : ne connectez pas physiquement plusieurs commutateurs dans un module Virtual Chassis avant d'avoir pris connaissance de ces instructions.

Le commutateur peut faire partie d'une configuration Virtual Chassis comptant jusqu'à huit commutateurs J-EX4200 et un autre commutateur J-EX4500. Un commutateur J-EX4500 doit être le commutateur maître.

Ces instructions expliquent comment configurer deux commutateurs J-EX4500 et deux commutateurs J-EX4200 (aucun n'est un commutateur membre Virtual Chassis actuel) dans une configuration *prédéfinie*. La prédéfinition est vivement recommandée pour un module Virtual Chassis mixte.

1. Assurez-vous que la configuration initiale des deux commutateurs J-EX4200 du module Virtual Chassis mixte a été réalisée. Consultez la documentation du commutateur Dell PowerConnect J-EX4200, sur le site Web <http://www.support.dell.com/manuals>.
2. Vérifiez que les commutateurs J-EX4200 et J-EX4500 à connecter dans le module Virtual Chassis mixte exécutent tous la même version du système d'exploitation Junos.
3. Notez les numéros de série des commutateurs à connecter au module Virtual Chassis et sélectionnez un commutateur J-EX4500 comme commutateur maître.
4. Mettez le commutateur maître J-EX4500 sous tension en premier, puis l'autre commutateur membre J-EX4500. Pour un commutateur qui n'a pas été configuré précédemment, consultez la Partie 6, page 3.
5. Mettez les deux commutateurs J-EX4500 en mode Virtual Chassis mixte et redémarrez les différents commutateurs :

```
user@switch> request virtual-chassis mode mixed
user@switch> request system reboot
```
6. Mettez les deux commutateurs membres Virtual Chassis J-EX4200 sous tension.
7. Mettez les deux commutateurs J-EX4200 en mode Virtual Chassis mixte et redémarrez les différents commutateurs :

```
user@switch> request virtual-chassis mode mixed
user@switch> request system reboot
```
8. (Facultatif) Reconnectez-vous au commutateur maître, indiquez le mode de configuration et configurez l'interface Ethernet de gestion virtuelle (VME) pour la gestion hors bande du module Virtual Chassis :

```
user@switch> configure
user@switch# set interfaces vme unit 0 family inet address ip-address
```

Commutateur Ethernet Dell PowerConnect J-Series J-EX4500 - Guide de mise en route (page 5)

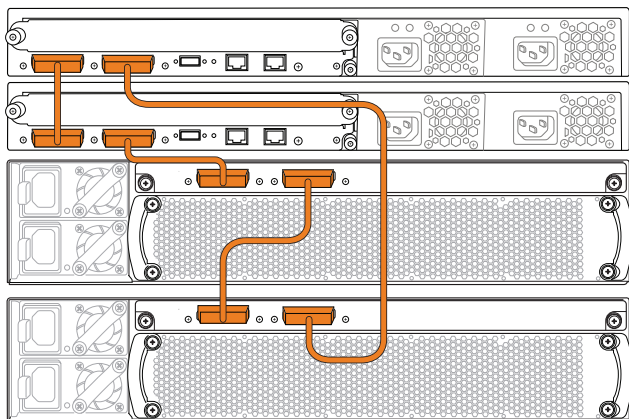
9. Sur le commutateur maître, spécifiez le mode de configuration prédéfini et affectez le rôle **routing-engine** aux deux commutateurs membres J-EX4500 (y compris le commutateur maître) :

```
user@switch# edit virtual-chassis
user@switch# set preprovisioned
user@switch# set member member-id-1 serial-number
serial-number-1 role routing-engine
user@switch# set member member-id-2 serial-number
serial-number-2 role routing-engine
```

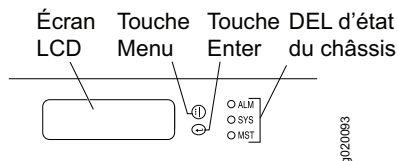
10. Sur le commutateur maître, poursuivez la prédéfinition en affectant le rôle **linecard** aux commutateurs membres J-EX4200, puis validez la configuration :

```
user@switch# set member member-id-3 serial-number
serial-number-3 role linecard
user@switch# set member member-id-4 serial-number
serial-number-4 role linecard
user@switch# commit
```

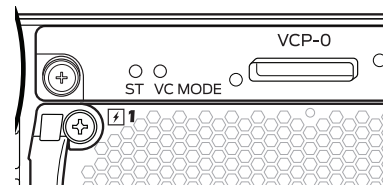
11. Avec quatre câbles et clips de fixation de connecteur de câble Virtual Chassis, interconnectez les quatre commutateurs à l'aide des VCP dédiés, situés à l'arrière de chaque commutateur.



12. Sur le commutateur maître :
- Vérifiez que la DEL MST (maître) verte sur la droite de l'écran LCD est allumée.



- Vérifiez que les DEL ST (état) et VC MODE vertes du module Virtual Chassis sont toutes deux allumées.



13. Sur l'autre commutateur membre J-EX4500, vérifiez que la DEL MST verte clignote et que les DEL ST et VC MODE vertes sont allumées.
14. Sur les deux commutateurs membres de carte de ligne J-EX4200, vérifiez que la DEL MST située sur la droite de l'écran LCD est éteinte.

Récapitulatif des messages de sécurité

Vous trouverez ci-dessous un récapitulatif des messages de sécurité. Pour en obtenir la liste complète, traduction comprise, consultez la documentation du commutateur Dell PowerConnect J-EX4500 disponible sur le site Web <http://www.support.dell.com/manuals>.

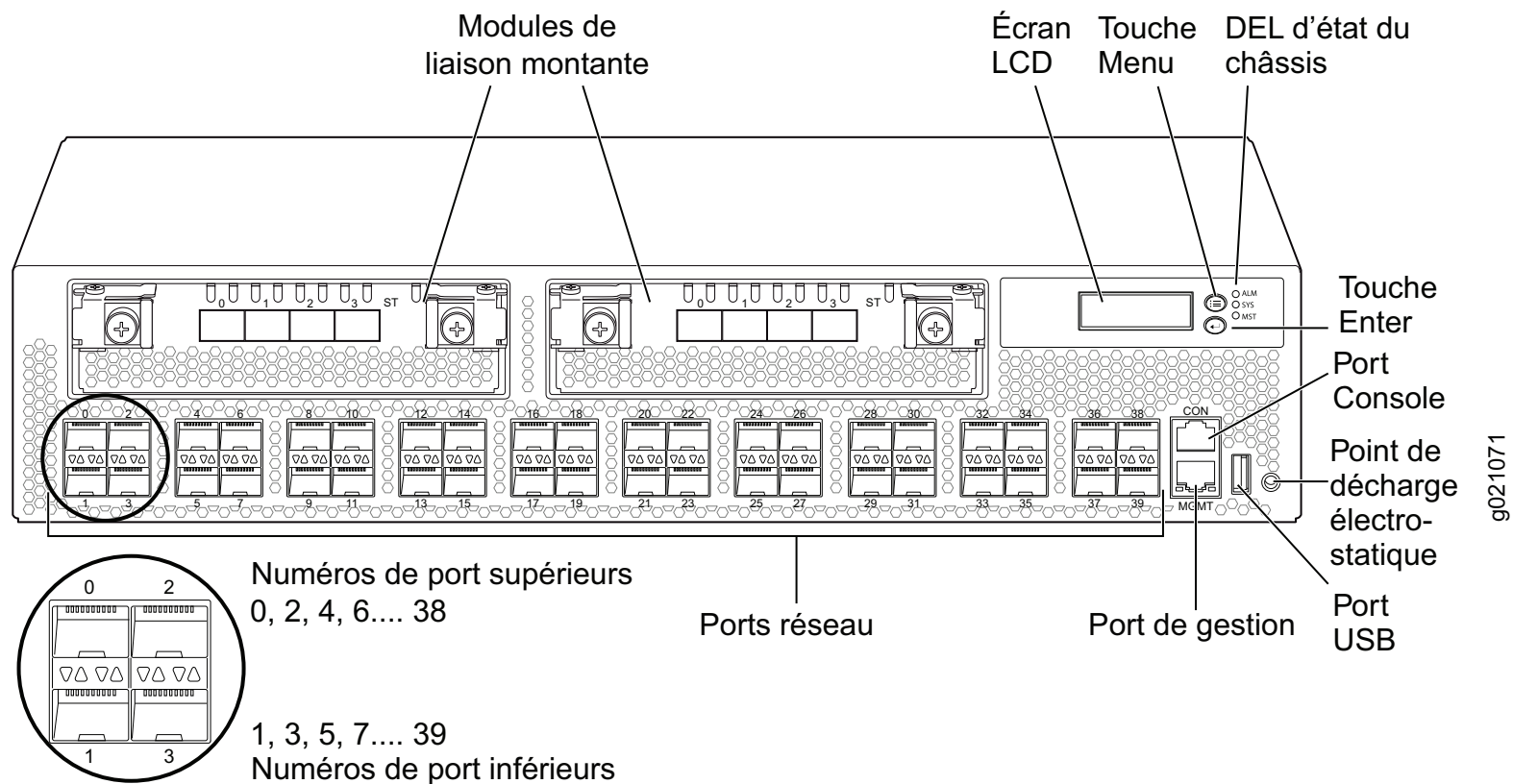
AVERTISSEMENT : le non-respect de ces messages de sécurité expose l'utilisateur à des blessures graves, voire mortelles.

- Seules les personnes dûment formées et qualifiées doivent installer ou remplacer les composants des commutateurs.
- Bornez-vous aux seules procédures décrites dans le présent guide de mise en route et dans la documentation du commutateur J-EX4500. Seul un personnel d'entretien autorisé peut exécuter d'autres opérations.
- Avant d'installer le commutateur, consultez les instructions de planification fournies dans la documentation du commutateur J-EX4500 afin de vérifier que le site est conforme aux normes électriques, environnementales et spatiales définies pour ce commutateur.
- Avant de brancher le commutateur sur une source d'alimentation électrique, lisez les instructions d'installation fournies dans la documentation du commutateur J-EX4500.
- Un commutateur J-EX4500 comportant un bloc d'alimentation pèse 37 lb (17 kg). Un commutateur comportant deux blocs d'alimentation pèse 40 lb (18 kg). Pour installer le commutateur dans une baie, deux personnes sont nécessaires : une pour soulever le commutateur et une autre pour insérer les vis de montage. Afin d'éviter toute blessure, gardez le dos bien droit et soulevez l'appareil en forçant sur vos jambes, et non sur votre dos.
- Si la baie est équipée de stabilisateurs, installez ces derniers avant de procéder au montage ou à l'entretien du commutateur dans la baie.
- Avant d'installer ou de retirer un composant électrique, placez-le toujours face du dessus tournée vers le haut sur une surface plane antistatique ou dans un sac électrostatique.
- N'intervenez pas sur le commutateur et ne branchez ou ne débranchez pas les câbles électriques de celui-ci pendant un orage.
- Avant d'intervenir sur des équipements raccordés à une ligne électrique, ôtez vos bijoux (notamment vos bagues, colliers et montre). Les objets métalliques s'échauffent lorsqu'ils sont raccordés à une alimentation électrique et à la terre, et peuvent ainsi provoquer de graves brûlures ou se souder aux bornes.

Contacter Dell Inc.

Pour obtenir une assistance technique, consultez le site Web <http://www.support.dell.com>.

Commutateur Ethernet Dell PowerConnect J-Series J-EX4500 - Guide de mise en route (page 6)



Les informations présentées dans ce document sont susceptibles d'être modifiées sans avis préalable. Marques commerciales utilisées dans ce texte : Dell™, le logo DELL™ et PowerConnect™ sont des marques commerciales de Dell Inc. Juniper Networks® et Junos® sont des marques déposées de Juniper Networks, Inc. aux États-Unis et dans d'autres pays. Toutes les autres marques commerciales, marques de service, marques déposées ou marques de service déposées sont la propriété de leurs détenteurs respectifs. Juniper Networks décline toute responsabilité quant à la présence éventuelle d'imprécisions dans ce document. Juniper Networks se réserve le droit de modifier, transférer ou réviser de toute autre manière cette publication sans préavis. Les produits fabriqués ou vendus par Juniper Networks ou les composants de ces produits peuvent être protégés par l'un ou plusieurs des brevets ci-dessous, qui appartiennent à Juniper Networks ou font l'objet d'une licence Juniper Networks : n° de brevets aux États-Unis : 5,473,599, 5,905,725, 5,909,440, 6,192,051, 6,333,650, 6,359,479, 6,406,312, 6,429,706, 6,459,579, 6,493,347, 6,538,518, 6,538,899, 6,552,918, 6,567,902, 6,578,186 et 6,590,785.

Copyright © 2011, Juniper Networks, Inc. Tous droits réservés. Toute reproduction de ces documents, quelle que soit la méthode utilisée, est formellement interdite sans l'accord écrit préalable de Juniper Networks.

Référence Juniper Networks : 530-038616-FR. Révision 01, 30 avril 2011.



Dell PowerConnect J-Series J-EX4500 Ethernet-Switch – Schnellstart

Sie benötigen zur Installation und Konfiguration eines J-EX4500 Ethernet-Switch der Dell PowerConnect J-Serie (Modellnummer EX4500) in einem 19-Zoll Rack mit zwei Stützen oder in einem Schrank Folgendes:

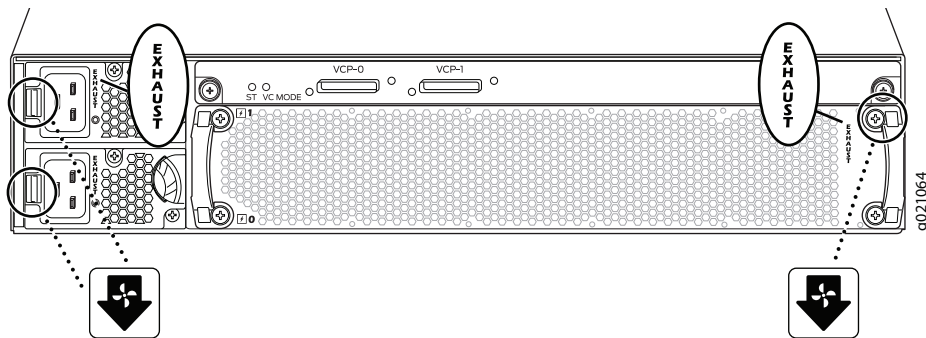
- Zwei Montagehalterungen und 20 Befestigungsschrauben (mitgeliefert)
- Kreuzschlitzschraubendreher (+) Nr. 2
- 8 Schrauben zur Rackmontage und 8 Käfigmuttern und Unterlegscheiben (falls diese für das Rack benötigt werden), in der erforderlichen Größe und vom korrekten Typ, um das Gehäuse im Rack oder Serverschrank zu befestigen (mitgeliefert)
- Einen Schlitzschraubendreher (-), wenn Sie den Switch in einem Rack mit gewindelosen eckigen Löchern montieren
- Ein Jumperkabel und eine Kabelhalterung für jedes Netzteil (mitgeliefert)
- Mindestens ein Virtual Chassis-Kabel und Kabelsteckerbefestigungen für eine Virtual Chassis-Verbindung
- Ein Erdungskabel, 14 AWG (2 mm²), mind. 90°C-Kabel, mit einer von einem Elektriker montierten Erdungslasche für Erdungspunkte im Abstand von 0,625 Zoll (15,86 mm)
- Zwei 10-32 x 0,25-Zoll-Schrauben mit Federring zum Befestigen der Erdungslasche am Switch
- Ethernet-Kabel mit RJ-45-Anschluss (mitgeliefert)
- Ein Management-Host mit einem Ethernet-Port, beispielsweise ein PC oder Laptop

HINWEIS: Anweisungen für die Installation in einem Rack mit vier Stützen sowie andere Setupinformationen finden Sie in der Dokumentation zum Dell PowerConnect J-EX4500-Switch unter <http://www.support.dell.com/manuals>.

Teil 1: Installation eines Netzteils im Switch (falls nicht installiert)

1. Vergewissern Sie sich, dass Sie das korrekte Netzteil vorliegen haben:
 - Stellen Sie sicher, dass der Auswurfhebel und die Pfeile auf den Griffen am Lüftereinsatz auf der Switch-Rückseite in dieselbe Richtung zeigen.
 - Überprüfen Sie, ob alle Netzteil- und Lüfteretiketten übereinstimmen und die Kennzeichnung EXHAUST oder INTAKE aufweisen.

VORSICHT: Bei Betrieb des Switch mit einem falschen Netzteil kann sich der Switch überhitzen.



2. Nehmen Sie das Netzteil vorsichtig aus dem Beutel, ohne die Pins, Adern oder Lötverbindungen zu berühren.

3. Schieben Sie das Netzteil mit beiden Händen vollständig in den Netzteileneinschub auf der Switch-Rückseite, bis es fest sitzt.
4. Wiederholen Sie diese Schritte bei Bedarf für ein zweites Netzteil.

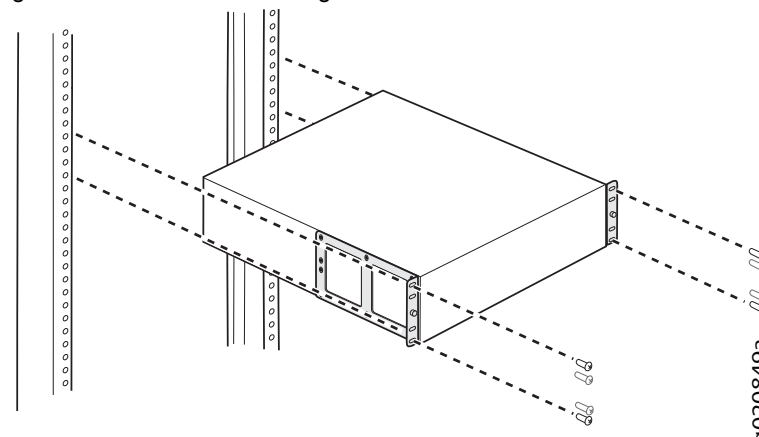
Teil 2: Switch-Montage

HINWEIS: Ein Switch wiegt abhängig von den installierten Komponenten bis zu 40 lb (18 kg). Die Installation erfordert zwei Personen – eine, die den Switch anhebt, und eine zweite Person, die ihn im Rack befestigt.

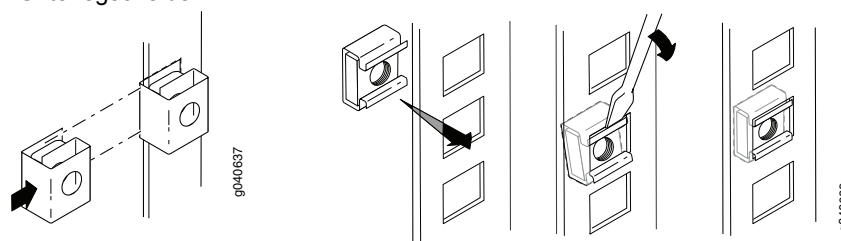
1. Platzieren Sie das Rack an seinem Standort. Achten Sie darauf, dass genügend Platz für Belüftung und Wartung vorhanden ist, und verankern Sie es in der Wand.
2. Sind an Ihrem Standort spezielle Voraussetzungen für die Montagerichtung zu erfüllen, überprüfen Sie anhand der Etiketten auf der Switch-Rückseite, ob das Gehäuse vorder- oder rückseitig zu montieren ist.
 - EXHAUST – Warmluft tritt aus dem Lüftereinsatz und dem Netzteil aus (Luft zirkuliert von vorne nach hinten).
 - INTAKE – Warmluft tritt aus der Gehäusevorderseite aus (Luft zirkuliert von hinten nach vorne).

HINWEIS: Befestigen Sie bei der Montage mehrerer Einheiten im Rack das schwerste Gerät in der untersten Rackposition und die anderen Geräte mit abnehmendem Gewicht von unten nach oben.

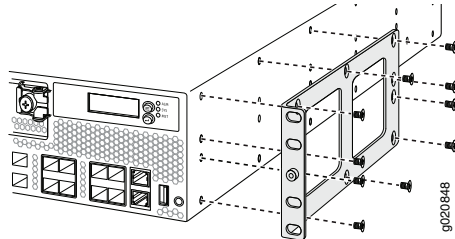
3. Legen Sie für die Switch-Montage den Standort im Rack fest.



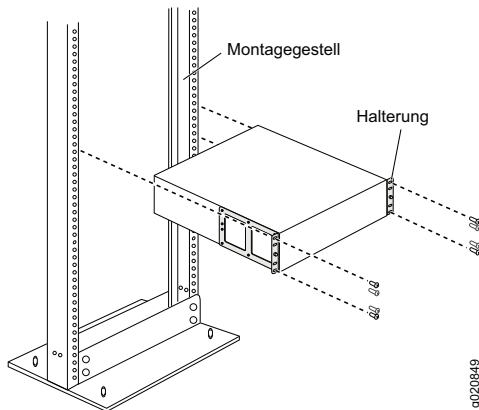
4. Sind für das Rack Käfigmuttern erforderlich, montieren Sie in vier Bohrungen mit entsprechendem Abstand auf der gleichen Höhe bei jeder Rackstütze eine Rundloch-Käfigmutter (Klammermutter) oder Vierkantloch-Käfigmutter sowie eine Unterlegscheibe.



5. Platzieren Sie den Switch auf einer flachen, stabilen Oberfläche.
6. Richten Sie die Montagehalterungen abhängig davon, ob Sie den Switch vorder- oder rückseitig montieren, entlang der Vorder- oder Rückseite der Gehäusesseiten aus.
7. Befestigen Sie die Montagehalterungen mit den Schrauben am Gehäuse, und ziehen Sie die Schrauben fest.



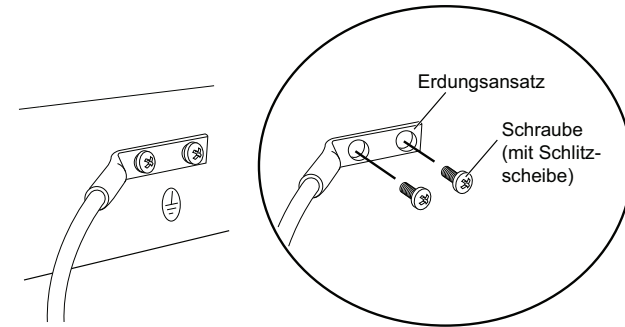
8. Eine Person muss den Switch an beiden Seiten anheben und so im Rack positionieren, dass sich die Halterungsbohrungen mit den Bohrungen der Rackstützen decken. Folglich muss sich die untere Bohrung jeder Halterung mit einer Bohrung auf gleicher Höhe in jeder Rackstütze decken.



9. Eine zweite Person muss den Switch im Rack mithilfe einer Befestigungsschraube in jeder Bohrung sichern.
10. Ist sichergestellt, dass das Gehäuse eben liegt, befestigen Sie die Schrauben.

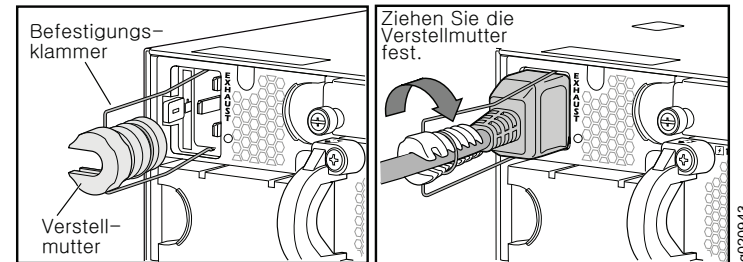
Teil 3: Switch-Erdung

1. Verbinden Sie ein Ende des Erdungskabels mit einer geeigneten Erdung wie dem Rack, in dem der Switch installiert ist.
2. Platzieren Sie die Erdungslasche des Erdungskabels über dem Massepol auf der linken Gehäuseseite (Rückseite), und befestigen Sie sie mit den Schrauben und Unterlegscheiben.



Teil 4: Anschließen des Jumperkabels an das Netzteil

1. Drücken Sie die zwei Seiten der Jumperkabelklammer zusammen, und stecken Sie die L-förmigen Enden der Kabelklammer in die Bohrungen der Halterung auf jeder Seite des AC-Appliance-Eingangs.



2. Verbinden Sie das Steckerende des Jumperkabels mit dem Eingang der AC-Appliance.
3. Drücken Sie die Halteklammer in Kabelrichtung, bis das Kabel in die Öffnung der Verstellmutter der Kabelhalterung gleitet.
4. Drehen Sie die Verstellmutter fest in die Kopplerbasis, bis der Schlitz in der Mutter im 90-Grad-Winkel zur Switch-Oberfläche liegt.
5. Besitzt der AC-Stromquellenausgang einen Netzschalter, stellen Sie diesen in die Position OFF (0).
6. Wiederholen Sie diese Schritte bei Bedarf für ein zweites Netzteil.

HINWEIS: Schalten Sie den Switch noch nicht ein. Dieser Schritt erfolgt als Teil der Erstkonfiguration. Das Einschaltiming ist bei Virtual Chassis-Konfigurationen besonders wichtig, da anhand der Einschaltreihenfolge das Mastergerät festgelegt wird.

Teil 5: Definieren der Betriebsweise des J-EX4500-Switch

- **Eigenständig:** Um den J-EX4500-Switch als eigenständigen Switch zu betreiben, wechseln Sie zu Teil 6 auf Seite 3, um die Netzkabel anzuschließen und die Erstkonfiguration vorzunehmen.
- **J-EX4500 Virtual Chassis-System:** Wechseln Sie zur Einrichtung eines Virtual Chassis-Systems mit einem weiteren J-EX4500-Switch zu Teil 7 auf Seite 4.
- **Gemischtes Virtual Chassis-System:** Wechseln Sie zur Einrichtung eines Virtual Chassis-Systems mit bis zu acht J-EX4200-Switches und ggf. mit einem weiteren J-EX4500-Switch zu Teil 8 auf Seite 4.

⚠ VORSICHT: Obwohl die J-EX4500-Switches mit einem bereits installierten Virtual Chassis-Modul geliefert werden, ist abgesehen vom Hardwareanschluss eine zusätzliche Vorbereitung für den Virtual Chassis-Betrieb erforderlich. Lesen Sie zunächst die entsprechenden Anweisungen, bevor Sie mehrere Switches in einem Virtual Chassis-System anschließen.

Fügen Sie den J-EX4500-Switch alternativ einem vorhandenen J-EX4200 Virtual Chassis-System oder einem gemischten J-EX4200/J-EX4500 Virtual Chassis-System hinzu. Anweisungen finden Sie in der Dokumentation zur Dell PowerConnect J-EX-Serie unter <http://www.support.dell.com/manuals>.

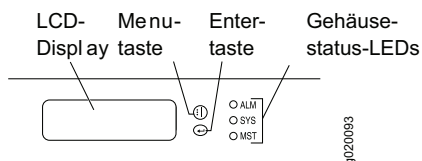
✎ HINWEIS: Ein eigenständiger J-EX4500-Switch lässt sich mithilfe der J-Web-Schnittstelle konfigurieren und verwalten. Die J-Web-Schnittstelle ermöglicht jedoch weder die Konfiguration noch die Verwaltung eines J-EX4500 Virtual Chassis- oder eines gemischten Virtual Chassis-Systems.

Teil 6: Einschalten des Switch und Vornehmen der Erstkonfiguration

✎ HINWEIS: Ist der Switch für eine J-EX4500 Virtual Chassis-Konfiguration bestimmt, wechseln Sie zunächst zu Teil 7 auf Seite 4. Wechseln Sie im Fall eines gemischten Virtual Chassis-Systems zunächst zu Teil 8 auf Seite 4.

Lesen Sie vor Beginn der Konfiguration die folgenden Schritte:

1. Stecken Sie den Jumperkabelstecker in den Stromquellenausgang am Switch.
2. Besitzt der AC-Stromquellenausgang einen Netzschalter, stellen Sie diesen in die Position ON (I).
3. Überprüfen Sie, ob die LED jedes Netzteils durchgehend grün leuchtet. Dies weist auf einen normalen Betrieb hin.
4. Aktivieren Sie einen DHCP-Client am Management-PC oder -Laptop, den Sie mit dem Switch verbinden. So erhält das Managementgerät eine dynamische IP-Adresse.
5. Machen Sie sich mit dem LCD-Display, den Menü- und Enter-tasten sowie den Status-LEDs vertraut.



Im Erstkonfigurationsmodus des Switch erscheint auf dem LCD-Display ein Countdown-Zähler. Die Erstkonfiguration mit EZSetup muss innerhalb von 10 Minuten erfolgen. Nach 10 Minuten beendet der Switch EZSetup, und die werkseitige Standardkonfiguration wird wiederhergestellt. Außerdem wird die Verbindung zwischen PC/Laptop und Switch unterbrochen.

6. Aktivieren des Erstkonfigurationsmodus für den Switch:
 - Drücken Sie die Menü-taste, bis „MAINTENANCE MENU“ erscheint. Drücken Sie anschließend die Enter-taste.
 - Drücken Sie die Menü-taste, bis „EZSetup“ erscheint. Drücken Sie anschließend die Enter-taste.

Ist „EZSetup“ nicht als Menüoption vorhanden, wählen Sie **Factory Default**, um den Switch auf die werkseitige Standardkonfiguration zurückzusetzen. Die Option „EZSetup“ erscheint nur im Menü, wenn der Switch auf die werkseitige Standardkonfiguration gesetzt ist.

- Drücken Sie die Enter-taste, um das Setup zu bestätigen und mit EZSetup fortzufahren.

7. Verbinden Sie den Ethernet-Port des PCs oder Laptops am PC mittels Ethernet-Kabel mit dem MGMT-Port (me0) an der Switch-Vorderseite.

Die me0-Schnittstelle (Port MGMT) ist als DHCP-Server mit der Standard-IP-Adresse 192.168.1.1 konfiguriert. Der Switch kann dem Management-PC oder -Laptop eine IP-Adresse im Bereich von 192.168.1.2 bis 192.168.1.253 zuweisen.

8. Öffnen Sie am PC oder Laptop einen Webbrowser, geben Sie ins Adressfeld <http://192.168.1.1> ein, und drücken Sie die Enter-taste.
9. Geben Sie auf der J-Web-Anmeldeseite den Benutzernamen root ein, lassen Sie das Kennwortfeld leer, und klicken Sie auf **Login**.
10. Klicken Sie auf der Seite „Introduction“ auf **Next**.

✎ HINWEIS: Bei Konfiguration eines Virtual Chassis-Master-Switch gelten die in den Schritten 11 bis 14 eingegebenen Werte für alle Virtual Chassis-Elemente.

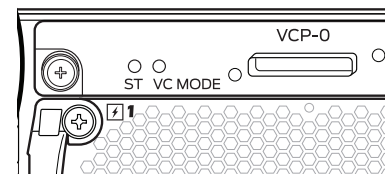
11. Geben Sie auf der Seite „Basic Settings“ den Hostnamen, das Kennwort und das bestätigte Kennwort ein, legen Sie die Zeitzone fest, und synchronisieren Sie das Datum und die Uhrzeit des Switch mit dem Management-PC oder -Laptop. Stellen Sie diese Daten alternativ manuell ein. Klicken Sie anschließend auf **Next**.
12. Wählen Sie auf der Seite „Management Options“ die Option **Out-of-band Management — Configure management port**, um die Managementschnittstelle zu konfigurieren. Klicken Sie anschließend auf **Next**.
13. Legen Sie die IP-Adresse und das Standardgateway für die Managementschnittstelle fest.
14. Klicken Sie auf **Next**. Wählen Sie auf der Seite „Manage Access“ Optionen zum Aktivieren von Telnet-, SSH- und SNMP-Diensten. Für SNMP können Sie die Read Community, den Standort und den Kontakt konfigurieren.
15. Klicken Sie auf **Next**. Die Seite „Summary“ enthält die ausgewählten Einstellungen.
16. Klicken Sie auf **Finish**. Die festgelegte Konfiguration entspricht jetzt der aktiven Switch-Konfiguration.

✎ HINWEIS: Wurde die Verbindung zwischen dem Management-PC bzw. -Laptop und dem Switch unterbrochen, stellen Sie die Verbindung erneut her. Geben Sie dazu die entsprechenden Befehle mittels PC oder Laptop ein, um die IP-Adresse zu erneuern. Entfernen Sie alternativ das Ethernet-Kabel, und schließen Sie es wieder an.

17. Melden Sie sich *nur im Fall eines eigenständigen Betriebs* an der Befehlszeilenschnittstelle (CLI) an, und legen Sie den Modus zur Herstellung der Verbindung per Intraconnect wie folgt fest:

```
user@switch> request chassis pic-mode intraconnect
```

Nur im Fall eines eigenständigen Betriebs, ist zu überprüfen, ob die grüne ST-LED (Status-LED) des Virtual Chassis-Moduls durchgehend leuchtet und dass die VP-MODE-LED nicht leuchtet.

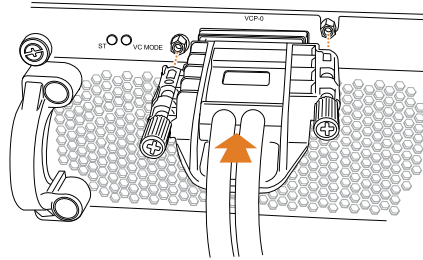


18. Beobachten Sie die gelbe Alarm-LED auf der rechten Seite des LCD-Displays. Eine gelb leuchtende Alarm-LED (kleiner Alarm) ist normal. Sie signalisiert, dass für den Switch keine Notfallkonfiguration festgelegt wurde. Melden Sie sich zum Speichern der aktuellen Konfiguration als Notfallkonfiguration, die Sie mit dem Befehl rollback ausführen können, an der Befehlszeilenschnittstelle an, und geben Sie Folgendes ein:

```
user@switch> request system configuration rescue save
```

Teil 7: Einrichten eines J-EX4500 Virtual Chassis-Systems mit zwei J-EX4500-Switches

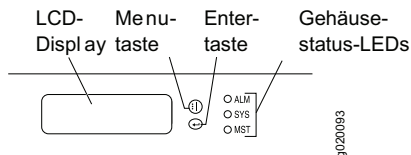
1. Stellen Sie sicher, dass auf beiden J-EX4500-Switches dieselbe Version des Junos-Betriebssystems ausgeführt wird.
2. Verbinden Sie die J-EX4500-Switches mit einem Virtual Chassis-Kabel und einer Kabelsteckerbefestigung über einen dedizierten Virtual Chassis-Port (VCP) auf der Rückseite beider Switches.



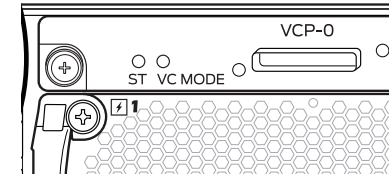
3. Notieren Sie sich die Seriennummern der im Virtual Chassis-System zu verbindenden Switches, und wählen Sie einen Master-Switch aus, der zuerst einzuschalten und zu konfigurieren ist.
4. Schließen Sie *nur den Master-Switch* mittels Netzkabel am Stromnetz an, und führen Sie die Erstkonfiguration durch. Siehe Teil 6 auf Seite 3.
5. Optional: Wechseln Sie für den Master-Switch in den Konfigurationsmodus, und konfigurieren Sie die Virtual Management Ethernet (VME)-Schnittstelle für die Out-of-Band-Verwaltung des Virtual Chassis-Systems:


```
user@switch> configure
user@switch# set interfaces vme unit 0 family inet address ip-address
```
6. Geben Sie über den Master-Switch den bereits verfügbaren Konfigurationsmodus an, weisen Sie beiden Switches die Rolle **routing-engine** zu, und übernehmen Sie die Konfiguration wie folgt:


```
user@switch# edit virtual-chassis
user@switch# set preprovisioned
user@switch# set member 0 serial-number serial-number role routing-engine
user@switch# set member 1 serial-number serial-number role routing-engine
user@switch# commit
```
7. Schalten Sie den anderen J-EX4500-Switch ein, bei dem keine Erstkonfiguration erforderlich ist. Überprüfen Sie, ob die LED jedes Netzteils durchgehend leuchtet. Dies weist auf einen normalen Betrieb hin.
8. Überprüfen Sie beim Master-Switch, ob die grüne MST-LED (Master-LED) auf der rechten Seite des LCD-Displays durchgehend leuchtet.



9. Überprüfen Sie bei beiden Switches des Virtual Chassis-Systems, ob die grüne ST-LED (Status-LED) und VC-MODE-LED des Virtual Chassis-Moduls durchgehend leuchten.



Teil 8: Einrichten eines gemischten J-EX4200/J-EX4500 Virtual Chassis-Systems

⚠ VORSICHT: Lesen Sie zunächst diese Anweisungen, bevor Sie mehrere Switches in einem Virtual Chassis-System anschließen.

Der Switch kann Teil einer Virtual Chassis-Konfiguration von bis zu acht J-EX4200-Switches und einem weiteren J-EX4500-Switch sein. Als Mastergerät ist ein J-EX4500-Switch zu verwenden.

Konfigurieren Sie anhand dieser Anweisungen jeweils zwei J-EX4500- und J-EX4200-Switches, die nicht Bestandteil eines bestehenden Virtual Chassis-Systems sind, in einer *vorab bereitgestellten* Konfiguration. Für ein gemischtes Virtual Chassis-System empfehlen wir die Verwendung einer vorab bereitgestellten Konfiguration.

1. Stellen Sie sicher, dass beide J-EX4200-Switches für das gemischte Virtual Chassis-System erstmalig konfiguriert werden. Weitere Informationen finden Sie in der Dokumentation zum Dell PowerConnect J-EX4200-Switch unter <http://www.support.dell.com/manuals>.
2. Stellen Sie sicher, dass die im gemischten Virtual Chassis-System zu verbindenden J-EX4200-Switches und J-EX4500-Switches über dieselbe Version des Junos-Betriebssystems verfügen.
3. Notieren Sie sich die Seriennummern der im Virtual Chassis-System zu verbindenden Switches, und wählen Sie einen J-EX4500-Switch als Master-Switch aus.
4. Schalten Sie zunächst den J-EX4500-Master-Switch und anschließend den anderen untergeordneten J-EX4500-Switch ein. Informationen zu einem nicht zuvor konfigurierten Switch finden Sie in Teil 6 auf Seite 3.
5. Legen Sie für beide J-EX4500-Switches den Modus für ein gemischtes Virtual Chassis-System fest, und starten Sie jeden Switch neu:


```
user@switch> request virtual-chassis mode mixed
user@switch> request system reboot
```
6. Schalten Sie beide J-EX4200-Switches des Virtual Chassis-Systems ein.
7. Legen Sie für beide J-EX4200-Switches den Modus für ein gemischtes Virtual Chassis-System fest, und starten Sie jeden Switch neu:


```
user@switch> request virtual-chassis mode mixed
user@switch> request system reboot
```
8. Optional: Melden Sie sich wieder am Master-Switch an, wechseln Sie in den Konfigurationsmodus, und konfigurieren Sie die Virtual Management Ethernet (VME)-Schnittstelle für die Out-of-Band-Verwaltung des Virtual Chassis-Systems:


```
user@switch> configure
user@switch# set interfaces vme unit 0 family inet address ip-address
```

9. Geben Sie über den Master-Switch den bereits verfügbaren Konfigurationsmodus an, und weisen Sie beiden J-EX4500-Switches (einschließlich des Master-Switch) die Rolle **routing-engine** wie folgt zu:

```

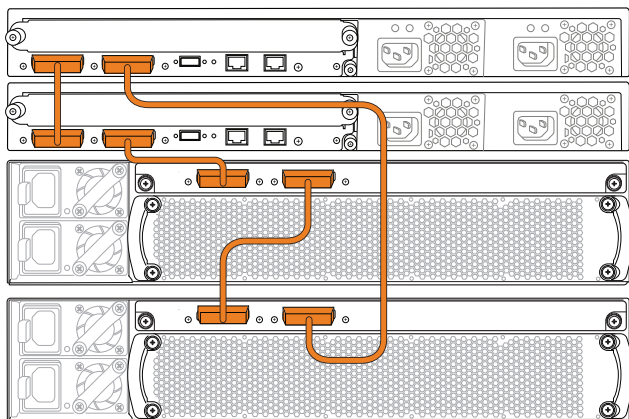
user@switch# edit virtual-chassis
user@switch# set preprovisioned
user@switch# set member member-id-1 serial-number
serial-number-1 role routing-engine
user@switch# set member member-id-2 serial-number
serial-number-2 role routing-engine
    
```

10. Setzen Sie über den Master-Switch den Vorgang fort, indem Sie beiden J-EX4200-Switches die Rolle **linecard** zuweisen und anschließend die Konfiguration wie folgt übernehmen:

```

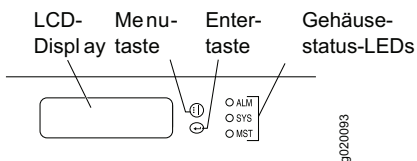
user@switch# set member member-id-3 serial-number
serial-number-3 role linecard
user@switch# set member member-id-4 serial-number
serial-number-4 role linecard
user@switch# commit
    
```

11. Verbinden Sie mit vier Virtual Chassis-Kabeln und Kabelsteckerbefestigungen die vier Switches über die dedizierten Virtual Chassis-Ports auf der Rückseite von jedem Switch.

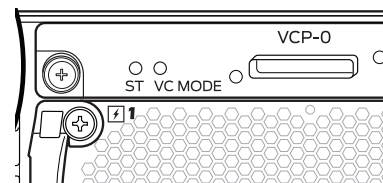


12. Master-Switch:

- Überprüfen Sie, ob die grüne MST-LED (Master-LED) auf der rechten Seite des LCD-Displays durchgehend leuchtet.



- Überprüfen Sie, ob die grüne ST (Status-LED) sowie die VC-MODE-LED des Virtual Chassis-Moduls durchgehend leuchten.



13. Überprüfen Sie beim anderen J-EX4500-Switch, ob die grüne MST-LED blinkt und die grüne ST-LED und VC-MODE-LED durchgehend leuchten.

14. Überprüfen Sie bei beiden J-EX4200-Leitungskartenelementen, ob die MST-LED auf der rechten Seite des LCD-Displays nicht leuchtet.

Zusammenfassung der Sicherheitsinformationen

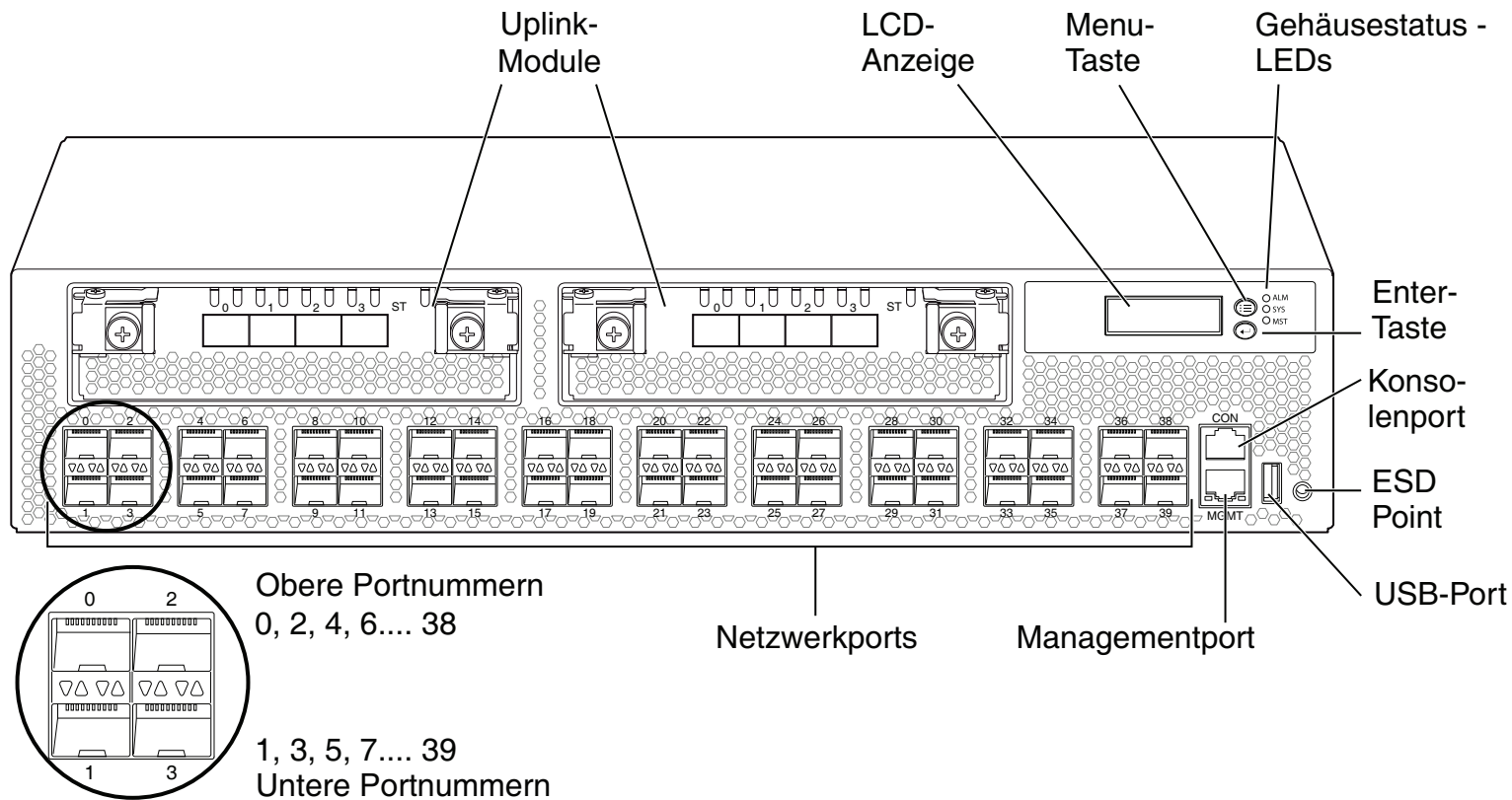
Dies ist eine Zusammenfassung der Sicherheitshinweise. Eine vollständige Liste aller Warnhinweise, einschließlich Übersetzungen, finden Sie in der Dokumentation zum Dell PowerConnect J-EX4500-Switch unter <http://www.support.dell.com/manuals>.

⚠️ WARNHINWEIS: Die Nichteinhaltung dieser Sicherheitshinweise kann zu ernsthaften Verletzungen – möglicherweise mit Todesfolge – führen.

- Lassen Sie die Installation und den Austausch von Switch-Komponenten nur von geschultem und qualifiziertem Personal durchführen.
- Führen Sie nur die in dieser Schnellstartanleitung und in der Dokumentation für den J-EX4500-Switch beschriebenen Schritte aus. Andere Services dürfen nur von autorisiertem Servicepersonal ausgeführt werden.
- Lesen Sie vor der Installation des Switch die Plananweisungen in der Dokumentation des J-EX4500-Switch, um sicherzustellen, dass der Standort die für den Switch erforderlichen Strom-, Umgebungs- und Abstandsvoraussetzungen erfüllt.
- Lesen Sie vor dem Anschluss des Switch an einer Stromquelle die Installationsanweisungen in der Dokumentation des J-EX4500-Switch.
- Ein J-EX4500-Switch mit einem Netzteil wiegt 37 lb (17 kg). Mit zwei Netzteilen wiegt der Switch 40 lb (18 kg). Zur Montage des Switch in einem Rack werden eine Person zum Anheben des Switch und eine zweite Person zum Befestigen der Schrauben benötigt. Halten Sie zur Vermeidung von Verletzungen Ihren Rücken gerade, und heben Sie Gegenstände nicht mit dem Rücken, sondern mit den Beinen an.
- Ist das Rack mit Stabilisatoren ausgestattet, befestigen Sie diese vor der Montage des Switch im Rack.
- Achten Sie beim Aus- oder Einbau einer elektronischer Komponente darauf, die Komponente auf eine antistatische Oberfläche oder in einen Abschirmbeutel zu legen. Die Oberseite der Komponente muss hierbei nach oben zeigen.
- Während eines Gewitters sollten Sie nicht am Switch arbeiten und keine Kabel anschließen oder herausziehen.
- Entfernen Sie vor dem Arbeiten an Geräten, die am Stromnetz angeschlossen sind, jeglichen Schmuck (Ringe, Halsketten, Uhren usw.). Objekte aus Metall werden heiß, wenn sie mit dem Stromnetz verbunden und geerdet sind, und können ernsthafte Verbrennungen verursachen oder mit den Anschlüssen verschweißt werden.

Kontaktaufnahme mit Dell Inc.

Rufen Sie die Website <http://www.support.dell.com> auf, wenn Sie technischen Support benötigen.



g021071

Änderungen der in diesem Dokument enthaltenen Informationen sind vorbehalten. In diesem Text verwendete Marken: Dell™, das DELL™-Logo und PowerConnect™ sind Marken von Dell Inc. Juniper Networks® und Junos® sind eingetragene Marken von Juniper Networks, Inc. innerhalb und außerhalb der USA und anderer Länder. Alle anderen Marken, Dienstleistungsmarken, eingetragenen Marken oder eingetragenen Dienstleistungsmarken sind Eigentum der jeweiligen Besitzer. Juniper Networks übernimmt keine Haftung für Fehler in diesem Dokument. Juniper Networks behält sich das Recht vor, diese Publikation ohne vorherige Ankündigung zu ändern, zu bearbeiten, zu übertragen oder anderweitig zu korrigieren. Von Juniper Networks hergestellte Produkte oder Komponenten davon unterliegen möglicherweise einem der folgenden Patente, die sich im Besitz von Juniper Networks befinden oder für Juniper Networks lizenziert sind: US-Patentnummern: 5,473,599, 5,905,725, 5,909,440, 6,192,051, 6,333,650, 6,359,479, 6,406,312, 6,429,706, 6,459,579, 6,493,347, 6,538,518, 6,538,899, 6,552,918, 6,567,902, 6,578,186 und 6,590,785.



Panduan Ringkas Dell PowerConnect J-Series J-EX4500 Ethernet Switch

Untuk memasang dan mengonfigurasi Dell PowerConnect J-Series J-EX4500 Ethernet Switch (*nomor model resmi EX4500*) pada rak atau kabinet dua tiang 19 inci, Anda membutuhkan:

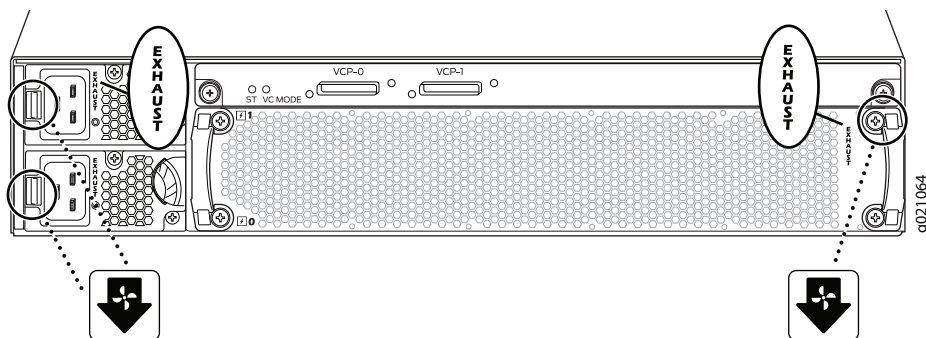
- Dua braketudukan dan 20 sekrup penahan (disediakan)
- Obeng Phillips (+), nomor 2
- 8 sekrup penahan rak—serta 8 mur dan ring jika diperlukan untuk rak tersebut—dengan ukuran dan jenis yang sesuai untuk mengencangkan sasis ke rak atau kabinet (disediakan)
- Obeng kepala pipih (-) jika Anda memasang switch pada rak dengan lubang kotak yang tidak berulir
- Kabel jumper dan penahan kabel untuk setiap catu daya (disediakan)
- Untuk penyambungan Sasis Virtual, satu atau lebih kabel Sasis Virtual dan penahan konektor kabel
- Kabel pentanahan—minimum kabel 14 AWG (2 mm²), 90°C—dengan lug pentanahan yang sesuai yang dipasang oleh teknisi listrik berlisensi, untuk titik pentanahan berjarak 0,625 in. (15,86 mm)
- Dua sekrup 10-32 x 1/4-in. dengan ring per belah untuk mengencangkan lug pentanahan ke switch
- Kabel Ethernet dengan konektor RJ-45 terpasang (disediakan)
- Host manajemen dengan port Ethernet, seperti PC atau lapotop

CATATAN: Untuk pemasangan rak atau kabinet empat tiang dan informasi lainnya, lihat dokumentasi Dell PowerConnect J-EX4500 di <http://www.support.dell.com/manuals>.

Bagian 1: Memasang Catu Daya ke dalam Switch (Jika Belum Dipasang)

1. Pastikan Anda memiliki catu daya yang benar:
 - Periksa apakah tuas ejektor dan tanda panah pada tangkai baki kipas di bagian belakang switch menunjuk ke arah yang sama.
 - Periksa apakah label catu daya dan baki kipas cocok—semua bertuliskan EXHAUST atau INTAKE.

PERHATIAN: Mengoperasikan switch dengan catu daya yang tidak benar dapat menyebabkan switch panas berlebihan.



2. Dengan berhati-hati agar tidak menyentuh pin, timah, atau koneksi solder, keluarkan catu daya dari kemasannya.

3. Dengan kedua tangan, letakkan catu daya dalam slot catu daya pada panel belakang switch lalu dorong masuk sampai terpasang kuat.
4. Ulangi langkah-langkah ini untuk catu daya kedua, jika diperlukan.

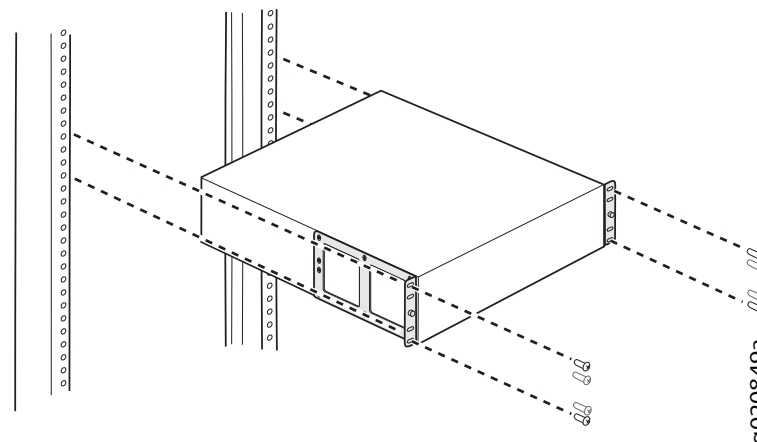
Bagian 2: Memasang Switch

CATATAN: Berat switch dapat mencapai 40 lb (18 kg) tergantung pada komponen yang terpasang. Pemasangan memerlukan satu orang untuk mengangkat switch dan orang kedua untuk mengencangkannya ke rak.

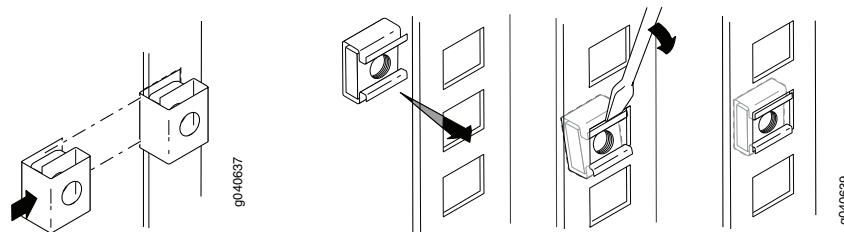
1. Letakkan rak di lokasi permanen, dengan jarak ruang yang memadai untuk aliran udara dan perawatan, lalu kencangkan ke struktur bangunan.
2. Jika lokasi Anda memiliki persyaratan lorong panas dan dingin, periksa label di bagian belakang switch untuk menentukan apakah sasis dipasang menghadap ke depan atau belakang:
 - EXHAUST—udara panas keluar dari baki kipas dan catu daya (aliran udara depan-ke-belakang).
 - INTAKE—udara panas keluar dari bagian depan sasis (aliran udara belakang-ke-depan).

CATATAN: Jika Anda memasang beberapa unit dalam rak, pasang unit yang paling berat di rak terbawah lalu pasang unit lainnya dari bawah ke atas sesuai urutan beratnya.

3. Tentukan lokasi pada rak untuk memasang switch.



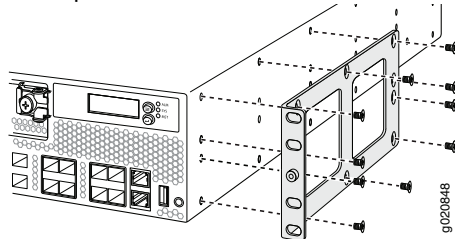
4. Jika rak memerlukan mur sangkar, pasang mur lubang bulat (mur jepit) atau mur lubang kotak—dan ring per—di 4 lubang yang berjarak sesuai dan pada tingkat yang sama di setiap tiang rak.



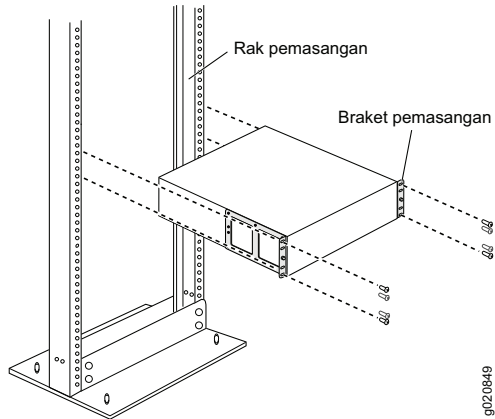
g040639



5. Letakkan switch di permukaan yang rata dan stabil.
6. Atur braket pemasangan di sepanjang sisi depan atau belakang panel samping sasis tergantung apakah Anda memasang switch menghadap ke depan atau belakang.
7. Pasang braket pemasangan ke sasis dengan sekrup pemasangan, kemudian kencangkan sekrup.



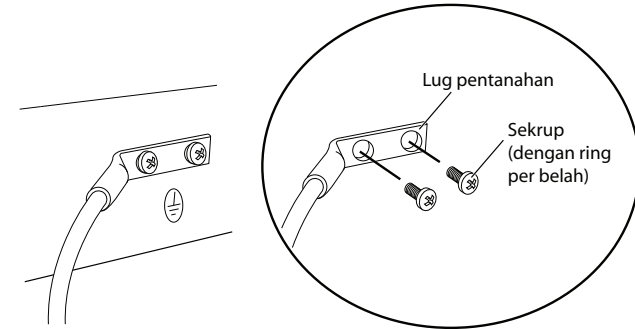
8. Mintalah salah seorang memegang kedua sisi switch untuk mengangkat dan menempatkannya di rak, menyejajarkan lubang braket pemasangan dengan lubang di tiang rak sehingga lubang dasar di setiap braket sejajar dengan lubang pada tingkat yang sama di setiap tiang rak.



9. Mintalah orang kedua memasang sekrup pemasangan rak di setiap lubang untuk menahan switch ke rack.
10. Setelah memastikan bahwa sasis sudah rata, kencangkan sekrup.

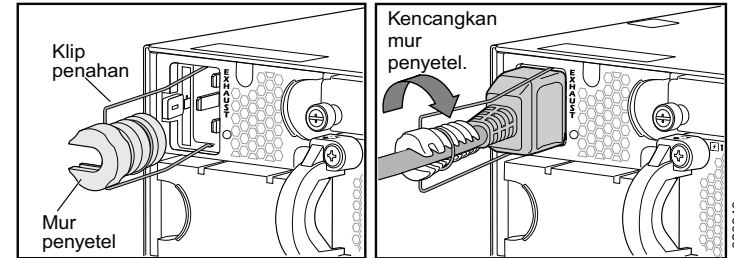
Bagian 3: Menghubungkan Switch ke Ground Pentanahan

1. Sambungkan salah satu ujung kabel pentanahan ke titik pentanahan yang memadai, misalnya lug pentanahan yang terpasang.
2. Pasang lug pentanahan dengan melilitkan kabel pentanahan ke terminal pelindung pentanahan di sebelah kiri sasis (ke arah belakang), lalu kencangkan lug ke terminal dengan sekrup dan ring per.



Bagian 4: Memasang Kabel Jumper ke Catu Daya

1. Tekan kedua sisi klip penahan kabel jumper, lalu masukkan ujung klip kabel yang berbentuk L ke dalam lubang pada braket di setiap sisi lubang masuk peralatan AC.



2. Masukkan ujung penggandeng kabel jumper ke dalam lubang masuk peralatan AC.
3. Tekan klip penahan ke arah kabel sampai kabel masuk ke dalam slot di dalam mur penyatel.
4. Putar mur sampai menempel kencang ke dudukan penggandeng dan lubangnya di dalam mur diputar 90° dari bagian atas switch.
5. Jika stopkontak listrik AC dilengkapi tombol daya, atur posisinya ke OFF (0).
6. Ulangi langkah-langkah ini untuk catu daya kedua, jika diperlukan.

⚠ CATATAN: Jangan hidupkan switch pada saat ini. Anda akan menghidupkannya sebagai bagian dari konfigurasi awal. Waktu menghidupkan sangat penting untuk konfigurasi Sasis Virtual karena urutan menghidupkan membantu menentukan switch master.

Bagian 5: Menentukan Bagaimana Anda Akan Mengoperasikan J-EX4500 Switch

- **Mandiri**—Untuk mengoperasikan J-EX4500 sebagai switch mandiri, lanjutkan ke Bagian 6 di halaman 3 untuk menyambungkan daya dan melakukan konfigurasi awal.
- **Sasis Virtual J-EX4500**—Untuk membuat Sasis Virtual dengan switch J-EX4500 yang lain, lanjutkan ke Bagian 7 di halaman 4.
- **Sasis Virtual Campuran**—Untuk membuat Sasis Virtual dengan hingga delapan switch J-EX4200 dan hingga satu J-EX4500 yang lain, lanjutkan ke Bagian 8 di halaman 4.

PERHATIAN: Meskipun switch J-EX4500 dikirimkan dengan modul Sasis Virtual terpasang, operasi Sasis Virtual memerlukan persiapan selain penyambungan perangkat keras. Jangan sambungkan beberapa switch secara fisik di sebuah Sasis Virtual sebelum membaca petunjuk yang terkait.

Anda juga dapat menambahkan switch J-EX4500 ke Sasis Virtual J-EX4200 atau Sasis Virtual campuran J-EX4200 dan J-EX4500 yang ada. Untuk petunjuk, lihat dokumentasi Dell PowerConnect J-EX Series di <http://www.support.dell.com/manuals>.

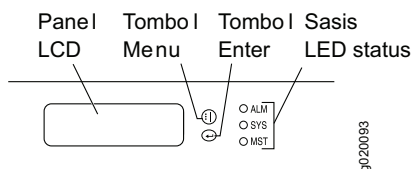
CATATAN: Anda dapat mengonfigurasi dan mengelola switch J-EX4500 mandiri dengan antarmuka J-Web, tetapi antarmuka J-Web tidak mendukung konfigurasi dan manajemen Sasis Virtual J-EX4500 atau Sasis Virtual campuran.

Bagian 6: Menghidupkan Switch dan Melakukan Konfigurasi Awal

CATATAN: Jika switch akan menjadi bagian dari Sasis Virtual J-EX4500, lanjutkan terlebih dahulu ke Bagian 7 di halaman 4. Untuk Sasis Virtual campuran, lanjutkan terlebih dahulu ke Bagian 8 di halaman 4.

Bacalah langkah-langkah berikut dengan saksama sebelum memulai konfigurasi:

1. Masukkan plug kabel jumper ke dalam stopkontak listrik pada switch.
2. Jika stopkontak listrik AC dilengkapi tombol daya, atur posisinya ke ON (I).
3. Pastikan bahwa LED di setiap catu daya menyala hijau terus untuk operasi normal.
4. Aktifkan klien DHCP pada PC atau laptop manajemen yang akan dihubungkan ke switch agar perangkat manajemen dapat memperoleh alamat IP secara dinamis.
5. Biasakan dengan panel LCD, tombol Menu dan Enter, dan LED status.



Panel LCD menampilkan timer hitung mundur ketika switch dalam mode setup awal. Anda harus menyelesaikan konfigurasi awal dengan menggunakan EZSetup dalam waktu 10 menit. Setelah 10 menit, switch akan keluar dari EZSetup dan kembali ke konfigurasi default pabrik, dan PC atau laptop kehilangan konektivitas ke switch.

6. Alihkan switch ke mode setup awal:
 - Tekan tombol Menu sampai Anda melihat MAINTENANCE MENU. Kemudian tekan tombol Enter.
 - Tekan tombol Menu sampai Anda melihat EZSetup. Kemudian tekan tombol Enter.

Jika EZSetup tidak muncul sebagai pilihan dalam menu, pilih **Factory Default** untuk mengembalikan switch ke konfigurasi default pabrik. EZSetup ditampilkan dalam menu ini hanya jika switch diatur ke konfigurasi default pabrik.

- Tekan tombol Enter untuk mengonfirmasi pengaturan dan melanjutkan dengan EZSetup.
7. Sambungkan kabel Ethernet dari port Ethernet pada PC atau laptop ke port MGMT (me0) pada panel depan switch.

Antarmuka me0 (port berlabel MGMT) dikonfigurasi sebagai server DHCP dengan alamat IP default 192.168.1.1. Switch dapat memberikan alamat IP untuk PC atau laptop dalam kisaran 192.168.1.2 hingga 192.168.1.253.

8. Dari PC atau laptop, buka browser Web, ketikkan <http://192.168.1.1> dalam bidang address, lalu tekan tombol Enter.
9. Pada halaman J-Web Login, masukkan root sebagai username, kosongkan bidang password, lalu klik **Login**.
10. Pada halaman Introduction, klik **Next**.

CATATAN: Jika Anda mengonfigurasi switch master Sasis Virtual, nilai yang Anda masukkan pada Langkah 11 sampai 14 akan diterapkan ke semua anggota Sasis Virtual.

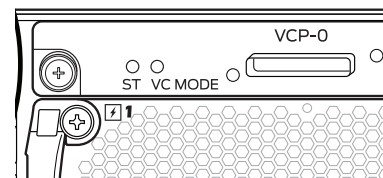
11. Pada halaman Basic Settings, masukkan nama host, masukkan dan konfirmasi sandi, tetapkan zona waktu, lalu sinkronkan pengaturan tanggal dan waktu dengan PC atau laptop manajemen—atau atur secara manual—lalu klik **Next**.
12. Pada halaman Management Options, pilih **Out-of-band Management—Configure management port** untuk mengonfigurasi antarmuka manajemen, lalu klik **Next**.
13. Tetapkan alamat IP dan gateway default untuk antarmuka manajemen tersebut.
14. Klik **Next**. Pada halaman Manage Access, Anda dapat memilih opsi untuk mengaktifkan layanan Telnet, SSH, dan SNMP. Untuk SNMP, Anda dapat mengonfigurasi pembacaaan komunitas, lokasi, dan kontak.
15. Klik **Next**. Halaman Summary menampilkan pengaturan yang Anda pilih.
16. Klik **Finish**. Konfigurasi ini ditetapkan sebagai konfigurasi switch aktif.

CATATAN: Jika konektivitas antara PC atau laptop manajemen dan switch terputus, sambungkan ulang dengan memasukkan perintah yang sesuai pada PC atau laptop untuk merilis dan memperbarui alamat IP—atau lepaskan dan tancapkan kembali kabel Ethernet.

17. Khusus untuk operasi mandiri, masuklah ke antarmuka baris perintah (CLI) dan atur mode ke intraconnect:

```
user@switch> request chassis pic-mode intraconnect
```

Khusus untuk operasi mandiri, pastikan bahwa LED ST (status) pada modul Sasis Virtual menyala hijau terus dan LED VC MODE mati.

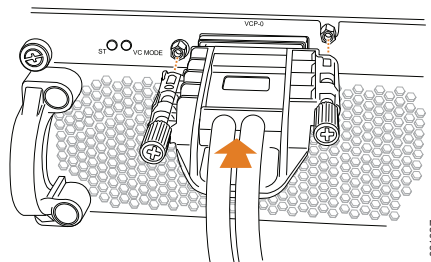


18. Perhatikan LED alarm kuning tua di sebelah kanan panel LCD. LED alarm dengan warna kuning tua (masalah kecil) adalah normal. Ini menunjukkan bahwa konfigurasi penyelamatan untuk switch tersebut belum diatur. Untuk menyimpan konfigurasi yang aktif sebagai konfigurasi penyelamatan yang dapat dipanggil dengan perintah rollback, masuklah ke CLI dan masukkan

```
user@switch> request system configuration rescue save
```

Bagian 7: Membuat Sasis Virtual J-EX4500 dengan dua Switch J-EX4500

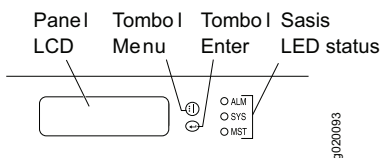
1. Pastikan bahwa kedua switch J-EX4500 menggunakan versi sistem operasi Junos (Junos OS) yang sama.
2. Dengan kabel Sasis Virtual dan penahan konektor kabel, sambungkan kedua switch J-EX4500 menggunakan port Sasis Virtual khusus (VCP) di bagian belakang setiap switch.



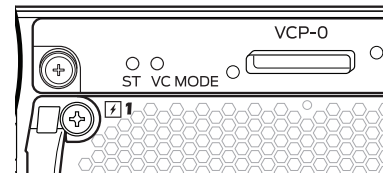
3. Catat nomor seri switch yang akan disambungkan ke Sasis Virtual, lalu pilih switch master yang akan dihidupkan dan dikonfigurasi terlebih dahulu.
4. Khusus pada switch master, sambungkan daya dan lakukan konfigurasi awal. Lihat Bagian 6 di halaman 3.
5. (Opsional) Pada switch master, masuk ke mode konfigurasi, dan konfigurasi antarmuka Ethernet manajemen virtual (VME) untuk manajemen out-of-band Sasis Virtual:


```
user@switch> configure
user@switch# set interfaces vme unit 0 family inet address ip-address
```
6. Pada switch master, tetapkan mode konfigurasi preprovisioned, tetapkan peran **routing-engine** ke kedua switch, lalu terapkan konfigurasi:


```
user@switch# edit virtual-chassis
user@switch# set preprovisioned
user@switch# set member 0 serial-number serial-number role routing-engine
user@switch# set member 1 serial-number serial-number role routing-engine
user@switch# commit
```
7. Hidupkan switch J-EX4500 yang lain—tanpa memerlukan konfigurasi awal—dan pastikan bahwa LED di setiap catu daya menyala hijau terus untuk operasi normal.
8. Pada switch master, pastikan bahwa LED MST (master) hijau di sebelah kanan panel LCD menyala terus.



9. Pada kedua switch di Sasis Virtual, pastikan bahwa LED ST (status) dan LED VC MODE pada modul Sasis Virtual menyala hijau terus.



Bagian 8. Membuat Sasis Virtual Campuran J-EX4200 dan J-EX4500

PERHATIAN: Jangan sambungkan beberapa switch secara fisik di sebuah Sasis Virtual sebelum membaca petunjuk ini.

Switch Anda dapat menjadi bagian dari konfigurasi Sasis Virtual yang menampung hingga delapan switch J-EX4200 dan satu J-EX4500 yang lain. Switch J-EX4500 harus menjadi master.

Petunjuk ini menjelaskan cara mengonfigurasi dua switch J-EX4500 dan dua switch J-EX4200—semuanya bukan anggota Sasis Virtual—pada konfigurasi *preprovisioned*. Kami sangat menyarankan preprovisioning untuk Sasis Virtual campuran.

1. Pastikan bahwa kedua switch J-EX4200 untuk Sasis Visual campuran telah dikonfigurasi awal. Lihat dokumentasi switch Dell PowerConnect J-EX4200 di <http://www.support.dell.com/manuals>.
2. Pastikan bahwa switch J-EX4200 dan switch J-EX4500 yang akan disambungkan di Sasis Virtual campuran menggunakan versi Junos OS yang sama.
3. Catat nomor seri switch yang akan disambungkan di Sasis Virtual, dan pilih switch J-EX4500 sebagai switch master.
4. Hidupkan switch master J-EX4500 terlebih dahulu, kemudian hidupkan switch anggota J-EX4500 yang lain. Untuk switch yang belum dikonfigurasi, lihat Bagian 6 di halaman 3.
5. Atur kedua switch J-EX4500 ke mode Sasis Virtual campuran, lalu booting ulang setiap switch:


```
user@switch> request virtual-chassis mode mixed
user@switch> request system reboot
```
6. Hidupkan kedua switch J-EX4200 anggota Sasis Virtual.
7. Atur kedua switch J-EX4200 ke mode Sasis Virtual campuran, lalu booting ulang setiap switch:


```
user@switch> request virtual-chassis mode mixed
user@switch> request system reboot
```
8. (Opsional) Masuklah kembali ke switch master, masuk ke mode konfigurasi, lalu konfigurasi antarmuka Ethernet manajemen virtual (VME) untuk manajemen out-of-band Sasis Virtual.


```
user@switch> configure
user@switch# set interfaces vme unit 0 family inet address ip-address
```

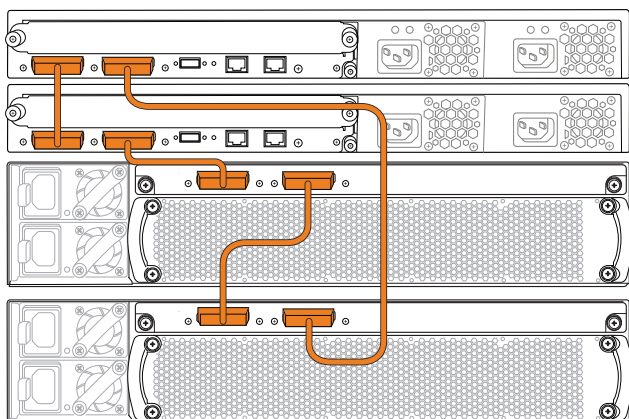
9. Pada switch master, tetapkan mode konfigurasi preprovisioned, lalu tetapkan peran **routing-engine** ke kedua anggota J-EX4500 (termasuk master):

```
user@switch# edit virtual-chassis
user@switch# set preprovisioned
user@switch# set member member-id-1 serial-number
serial-number-1 role routing-engine
user@switch# set member member-id-2 serial-number
serial-number-2 role routing-engine
```

10. Pada switch master, lanjutkan preprovisioning dengan menetapkan peran **linecard** ke kedua anggota J-EX4200, kemudian terapkan konfigurasi:

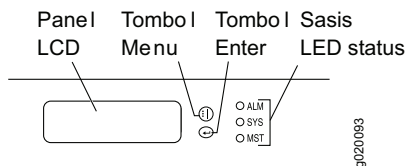
```
user@switch# set member member-id-3 serial-number
serial-number-3 role linecard
user@switch# set member member-id-4 serial-number
serial-number-4 role linecard
user@switch# commit
```

11. Dengan empat kabel Sasis Virtual dan penahan konektor kabel, sambungkan keempat switch menggunakan VCP khusus di bagian belakang setiap switch.

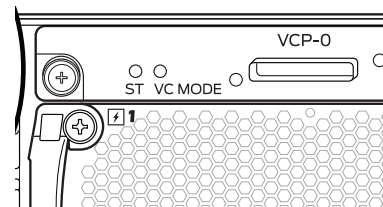


12. Pada switch master:

- Pastikan bahwa LED MST (master) hijau di sebelah kanan panel LCD menyala terus.



- Pastikan bahwa kedua LED ST (status) dan VC MODE hijau pada modul Sasis Virtual menyala terus.



13. Pada switch anggota J-EX4500 yang lain, pastikan bahwa LED MST berkedip dan kedua LED ST dan VC MODE menyala hijau terus.

14. Pada kedua anggota line card J-EX4200, pastikan bahwa LED MST di sebelah kanan panel LCD mati.

Ringkasan Peringatan Keselamatan

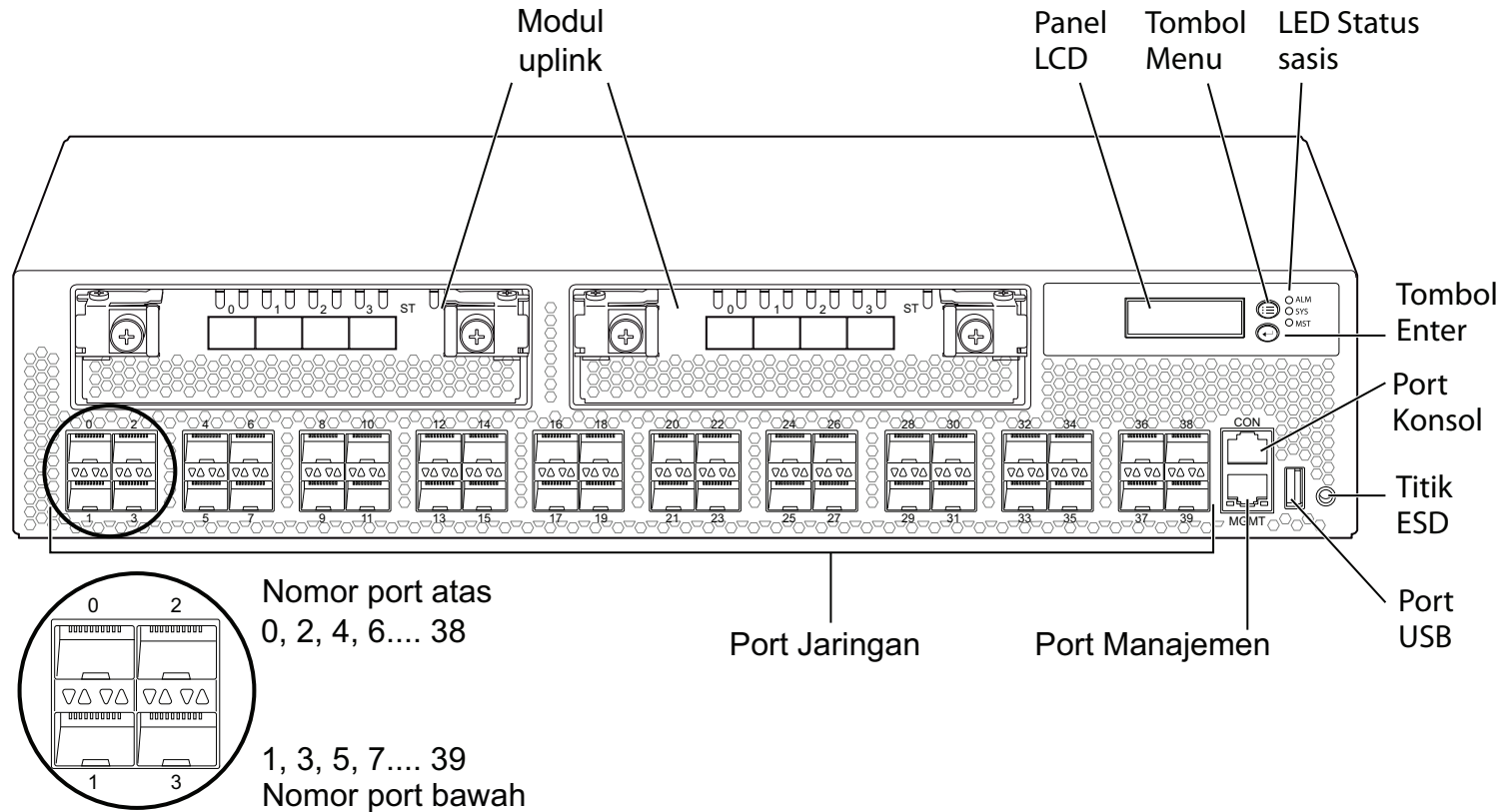
Ini adalah ringkasan peringatan keselamatan. Untuk daftar lengkap peringatan, termasuk terjemahan, lihat dokumentasi switch Dell PowerConnect J-EX4500 di <http://www.support.dell.com/manuals>.

PERINGATAN: Kegagalan untuk mematuhi peringatan keselamatan ini dapat mengakibatkan cedera atau kematian.

- Pemasangan atau penggantian komponen switch hanya boleh dilakukan oleh personel yang ahli dan terlatih.
- Lakukan hanya prosedur yang dijelaskan dalam panduan ringkas ini dan dokumentasi J-EX4500 switch. Servis lainnya hanya boleh dilakukan oleh personel servis resmi.
- Sebelum memasang switch, bacalah petunjuk perencanaan dalam dokumentasi J-EX4500 switch untuk memastikan bahwa lokasinya memenuhi persyaratan daya, lingkungan, dan kebersihan untuk switch.
- Sebelum menyambungkan switch ke sumber daya, bacalah petunjuk pemasangan dalam dokumentasi J-EX4500 switch.
- Berat switch J-EX4500 dengan satu catu daya mencapai 37 lb (17 kg). Dengan dua catu daya, berat switch 40 lb (18 kg). Pemasangan switch ke dalam rak membutuhkan satu orang untuk mengangkat switch dan satu orang untuk memasang sekrup penahan. Untuk menghindari cedera, jaga posisi punggung Anda tetap tegak lurus lalu angkat dengan tenaga kaki, bukan punggung Anda.
- Jika rak memiliki perangkat stabiliser, pasang perangkat tersebut dalam rak sebelum memasang atau menyervis switch di dalam rak.
- Sebelum memasang atau setelah membuka komponen listrik, selalu letakkan komponen tegak lurus di atas permukaan antistatik yang datar atau di dalam kantung elektrostatis.
- Saat terjadi badai petir, jangan menangani switch atau menyambung atau memutus sambungan kabel.
- Sebelum menangani perlengkapan yang tersambung ke saluran listrik, lepas perhiasan, termasuk cincin, kalung, dan arloji. Benda logam akan memanas ketika tersambung ke daya dan tanah sehingga dapat menyebabkan luka bakar parah atau terpatri ke terminal.

Menghubungi Dell Inc.

Untuk dukungan teknis, lihat <http://www.support.dell.com>.



g021071

Informasi dalam dokumen ini dapat berubah tanpa pemberitahuan. Merek dagang yang digunakan dalam teks ini: Dell™, logo DELL™ dan PowerConnect™ adalah merek dagang dari Dell Inc. Juniper Networks® and Junos® adalah merek dagang terdaftar dari Juniper Networks, Inc. di Amerika Serikat dan di negara-negara lain. Semua merek dagang, merek layanan, merek dagang terdaftar, atau merek layanan terdaftar lainnya adalah hak cipta dari pemiliknya masing-masing. Juniper Networks tidak bertanggung jawab atas kesalahan akurasi apa pun dalam dokumen ini. Juniper Networks berhak untuk mengganti, mengubah, mentransfer, atau merevisi publikasi ini dengan cara lain tanpa pemberitahuan. Produk yang dibuat atau dijual oleh Juniper Networks atau komponennya mungkin dicakup oleh satu atau beberapa paten berikut yang dimiliki atau dilisensikan kepada Juniper Networks: No. Paten A.S. 5,473,599, 5,905,725, 5,909,440, 6,192,051, 6,333,650, 6,359,479, 6,406,312, 6,429,706, 6,459,579, 6,493,347, 6,538,518, 6,538,899, 6,552,918, 6,567,902, 6,578,186, dan 6,590,785.

Hak cipta © 2010, Juniper Networks, Inc. Semua hak dilindungi undang-undang. Dilarang keras memperbanyak materi ini dengan cara apa pun tanpa izin tertulis dari Juniper Networks.

Nomor Komponen Juniper Networks: 530-038616-ID. Revisi 01, 30 April 2011.



Dell PowerConnect J シリーズ J-EX4500 イーサネットスイッチ クイックスタートガイド

Dell PowerConnect J シリーズ J-EX4500 イーサネットスイッチ（規定モデル番号 EX4500）を設置し構成するには、次のものがが必要です。

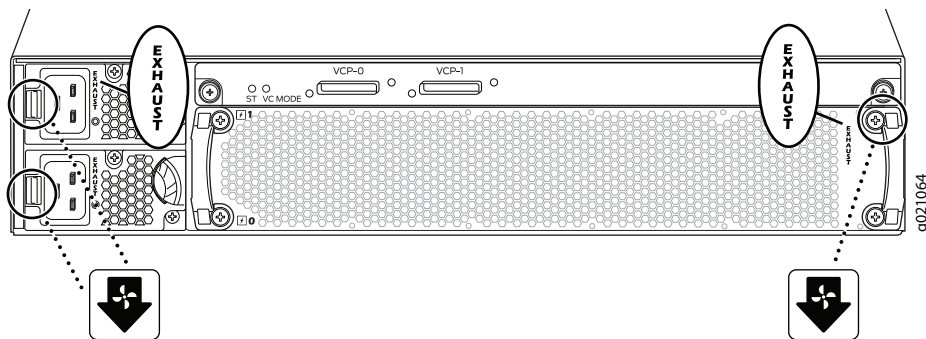
- 取り付けブラケット 2 個、取り付けねじ 20 本（付属）
- プラス (+) のねじ回し、2 号
- シャーシをラックまたはキャビネットに固定する、適切な種類と大きさの 8 本の取り付けねじ（ラックに必要な場合は 8 個のケージナットとワッシャも使用）（付属）
- スイッチをラックの四角形の非ねじ込み穴に取り付ける場合は、マイナス (-) のねじ回し
- 各電源装置用のジャンパケーブルおよびコード リテーナ（付属）
- 仮想シャーシ接続では、1 本以上の仮想シャーシ ケーブルおよびケーブル コネクタ リテーナ
- 接地点の間隔が 0.625 インチ（15.86 mm）の場合、認定電気技師により取り付けられた接地ラグが付いている、接地ケーブル（14 AWG（2 mm²）、最低 90° C の電線）
- 接地ラグをスイッチに固定するための、10-32x.1/4 インチのねじ 2 本と割りワッシャ
- RJ-45 コネクタ付きイーサネット ケーブル（付属）
- PC やラップトップなど、イーサネット ポートを備えた管理ホスト

注：4 本支柱ラックまたはキャビネットの設置作業の詳細については、<http://www.support.dell.com/manuals> にある Dell PowerConnect J-EX4500 スイッチ 用文書を参照してください。

パート 1: スイッチへの電源装置の取り付け（取り付けられていない場合）

- 用意した電源装置が適切なものであることを確認します。
 - イジェクタレバーと、スイッチ背部のファントレイ ハンドルの矢印が、すべて同じ方向を向いていることを確認します。
 - 電源装置とファントレイのラベルが一致すること、つまり EXHAUST または INTAKE であることを確認します。

注意：不適切な電源装置でスイッチを操作すると、スイッチが過熱する場合があります。



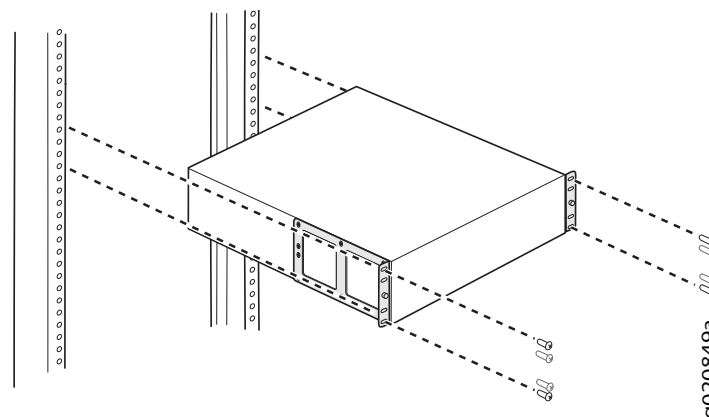
- 電源装置ピン、リード、またはハンダ接続部に触れないように注意して、電源装置をバッグから取り出します。

- 両手を使用して、スイッチの背面パネルの電源装置スロットに電源装置を配置し、全体が収まるまで挿入します。
- 必要な場合、2 つ目の電源装置に対しても同様の作業を行います。

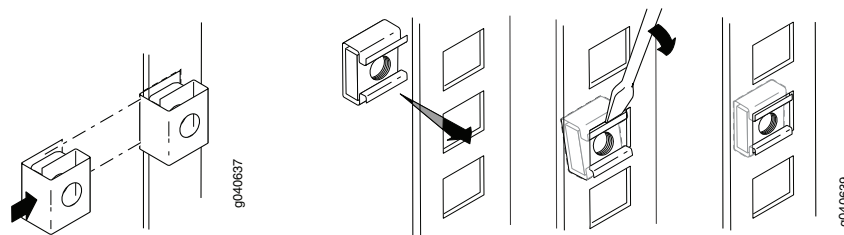
パート 2: スイッチの取り付け

注：取り付けるコンポーネントによっては、スイッチの重量は最高 18 kg（40 ポンド）になります。設置作業では、1 人がスイッチを持ち上げ、もう 1 人がスイッチをラックに固定する必要があります。

- 換気と保守に十分なすき間を確保して、ラックをその恒久的な場所に配置し、ラックを建物に固定します。
- 現場がホットアイル・コールドアイル要件の場所である場合は、シャーシを前面取り付けするか背面取り付けするかをスイッチ背部のラベルで確認します。
 - EXHAUST- 熱風はファントレイと電源装置から排気されます（フロントツーバック換気）。
 - INTAKE- 熱風はシャーシの前面から排気されます（バックツーフロント換気）。
- 注：複数のユニットをラックに取り付ける場合、最も重いユニットをラックの最下部に取り付けます。そして、他のユニットを重さの順に下から上へと取り付けます。
- ラックにスイッチを取り付ける位置を決めます。

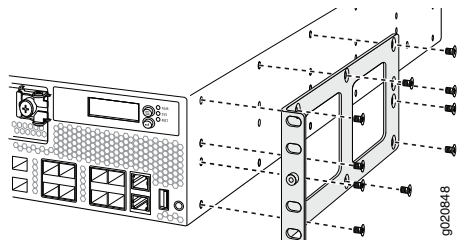


- ラックにケージナットが必要な場合、各ラック柱で同じ高さの適切な間隔の 4 つの穴に、円形穴のケージナット（クリップナット）または四角穴のケージナットおよびワッシャを取り付けます。

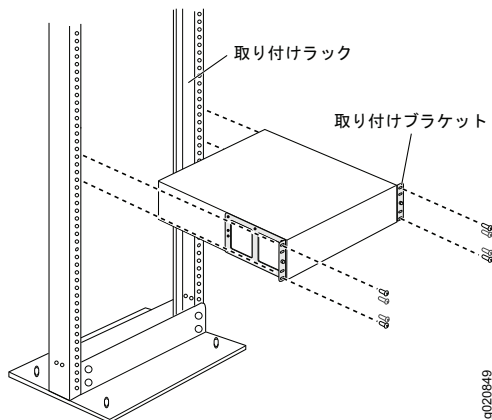


Dell PowerConnect J シリーズ J-EX4500 イーサネットスイッチ クイック スタート ガイド、2 ページ

5. スイッチを平らで安定した面に置きます。
6. スイッチを前面取り付けする場合は、シャーシの側面パネルの前部に、背面取り付けする場合は後部に、取り付けブラケットを配置します。
7. 取り付けねじを使用して、取り付けブラケットをシャーシに取り付け、ねじを締めます。



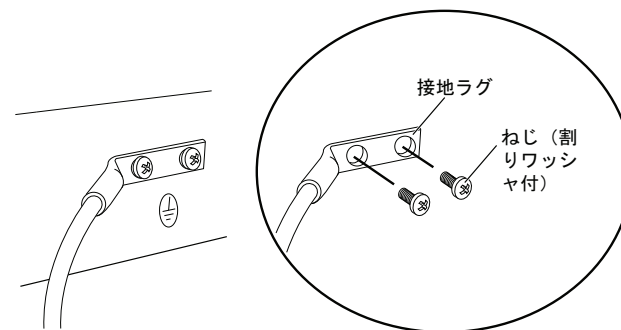
8. 1人が両側面をつかんでスイッチを持ち上げ、ラックの設置位置まで運び、取り付けブラケットの穴と取り付けラックの支柱の穴と合わせます。その時、各ブラケットの底穴を各取り付けラックの支柱の同じ高さの穴と合わせます。



9. もう1人が、ラック取り付けねじを各穴に取り付けて、スイッチをラックに固定します。
10. スイッチが水平であることを確かめた後に、ねじを締めます。

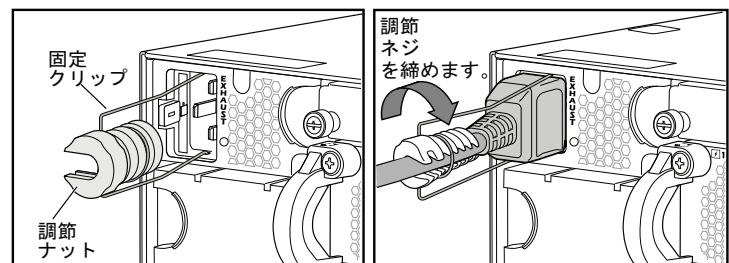
パート 3: スイッチとアースの接続

1. 接地ケーブルの一方を、スイッチが取り付けられているラックなど、適切なアースへ接続します。
2. 接地ケーブルに付けられている接地ラグをシャーシの左側（後部）にある保護接地端子に配置し、ねじとワッシャを締めて固定します。



パート 4: ジャンパケーブルの電源への接続

1. ジャンパケーブル リテーナのクリップの両側を押し、AC コンセントの両側にあるブラケットの穴に、ワイヤクリップの L 字型の端を挿入します。



2. ジャンパケーブルのカプラー端を AC 機器コンセントに挿入します。
3. コードが調整ナットの溝にはまるまで、固定クリップをコードの方へ押しします。
4. ナットがカプラーの基部にぴったりと接し、ナットの溝がスイッチの上部から 90° 回転するまで、ナットを回します。
5. AC 電源コンセントに電源スイッチがある場合は、スイッチを OFF (0) 位置にセットします。
6. 必要な場合、2 つ目の電源装置に対しても同様の作業を行います。

注: この時点ではスイッチの電源をオンにしないでください。それは、初期設定の一部として行います。電源オンの順序によってマスター機器が決まるので、電源オンのタイミングは、仮想シャーシ設定では特に重要です。

パート 5: J-EX4500 スイッチの運用方法の決定

- スタンドアロン J-EX4500 をスタンドアロンのスイッチとして運用する場合は、3 ページ のパート 6 に進み、電源を接続して初期設定を行います。
- J-EX4500 仮想シャーシ別の J-EX4500 スイッチと共に仮想シャーシを構成する場合は、4 ページ のパート 7 に進みます。
- 混合仮想シャーシ 8 台までの J-EX4200 スイッチおよび 1 台までの他の J-EX4500 スイッチと共に仮想シャーシを構成する場合は、4 ページ のパート 8 に進みます。

注意: J-EX4500 スイッチには出荷時に仮想シャーシ・モジュールが取り付けられています。仮想シャーシの運用には、ハードウェア接続の他にも準備が必要です。適切な指示を読む前に、仮想シャーシの複数のスイッチを物理的に接続しないでください。

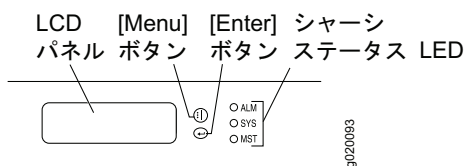
また、既存の J-EX4200 仮想シャーシ、または J-EX4200 および J-EX4500 の混合仮想シャーシに J-EX4500 スイッチを追加できます。手順については、<http://www.support.dell.com/manuals> にある Dell PowerConnect J-EX シリーズの文書を参照してください。

注: J-Web インターフェースでスタンドアロンの J-EX4500 スイッチを設定、管理できます。一方、J-Web インターフェースは、J-EX4500 仮想シャーシまたは混合仮想シャーシの設定および管理をサポートしません。

パート 6: スイッチの電源オンと初期構成

注: スイッチが J-EX4500 仮想シャーシの一部となる場合は、最初に 4 ページ のパート 7 に進みます。混合仮想シャーシの場合は、最初に 4 ページ のパート 8 に進みます。以下の手順を読んでから、構成を始めてください。

1. スイッチの電源コンセントにジャンパケーブル プラグを挿入します。
2. AC 電源コンセントに電源スイッチがある場合は、スイッチを ON (I) 位置にセットします。
3. 各電源装置にある LED が、緑色に点灯し正常動作を示していることを確認します。
4. 管理機器が IP アドレスを動的に取得できるように、スイッチに接続する管理 PC またはラップトップの DHCP クライアントを有効にします。
5. LCD パネル、[Menu] ボタン、[Enter] ボタン、ステータス LED について理解します。



スイッチが初期設定モードにある間、LCD パネルにカウントダウン タイマーが表示されます。EZSetup を使用して、10 分以内に初期設定を完了する必要があります。10 分後に、スイッチは EZSetup を終了し、出荷時デフォルトの構成に戻ります。また、PC またはラップトップはスイッチへの接続を失います。

6. スイッチを初期設定モードに変更します。
 - MAINTENANCE MENU と表示されるまで [Menu] ボタンを押します。[Enter] ボタンを押します。
 - EZSetup と表示されるまで [Menu] ボタンを押します。次に [Enter] ボタンを押します。

EZSetup がメニューにオプションとして表示されない場合、**[Factory Default]** を選択して、工場出荷時のデフォルト構成にスイッチを戻してください。EZSetup がメニューに表示されるのは、スイッチが工場出荷時のデフォルト構成に設定されているときに限ります。

- [Enter] ボタンを押して、セットアップを確認し EZSetup へ進みます。

7. PC またはラップトップのイーサネット ポートに接続したイーサネット ケーブルを、スイッチの正面パネルの MGMT ポート (me0) に接続します。

me0 インターフェース (MGMT と表示されているポート) は、デフォルト IP アドレスが 192.168.1.1 の DHCP サーバーとして構成されています。スイッチは、管理 PC またはラップトップに IP アドレスを割り当てることができます。IP アドレスの範囲は 192.168.1.2 ~ 192.168.1.253 です。

8. PC またはラップトップから Web ブラウザを開き、アドレス欄に <http://192.168.1.1> と入力して、Enter キーを押します。
9. J-Web Login ページで、ユーザー名に root と入力し、パスワード欄は空欄のままにして **[Login]** をクリックします。
10. Introduction ページで **[Next]** をクリックします。

注: 仮想シャーシのマスタ スイッチを設定する場合、ステップ 11 ~ 14 で入力する値が、すべての仮想シャーシ メンバーに適用されます。

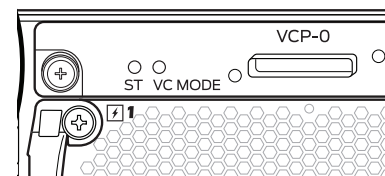
11. Basic Settings ページでホスト名を入力し、パスワードを入力してから再入力し、タイムゾーンを指定します。また、スイッチの日時設定と管理 PC またはラップトップの設定を同期させるか、スイッチの日時設定を手動で設定します。 **[Next]** をクリックします。
12. Management Options ページで **Out-of-band Management—Configure management port** を選択し、管理インターフェースを構成します。 **[Next]** をクリックします。
13. 管理インターフェースの IP アドレスとデフォルト ゲートウェイを指定します。
14. **[Next]** をクリックします。Manage Access ページで、Telnet、SSH、および SNMP サービスを有効にするオプションを選択できます。SNMP については、読み取りコミュニティ、場所、および連絡先を構成できます。
15. **[Next]** をクリックします。Summary ページに、選択した設定が表示されます。
16. **[Finish]** をクリックします。構成が、アクティブなスイッチ構成としてコミットされます。

注: PC またはラップトップで適切なコマンドを入力して再接続し、IP アドレスを解放して更新します。または、イーサネット ケーブルを取り外して再接続します。

17. スタンドアロン運用の場合のみ、コマンドライン インターフェース (CLI) にログインし、モードを `intraconnect` に設定します。

```
user@switch> request chassis pic-mode intraconnect
```

スタンドアロン運用の場合のみ、仮想シャーシ モジュールの緑色の ST (ステータス) LED が点灯しており、VC MODE LED が消灯していることを確認します。



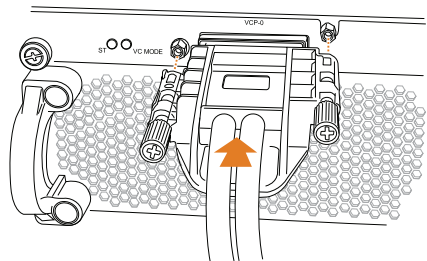
18. LCD パネルの右側にある黄色の アラーム LED を観察します。

黄色 (軽度) アラーム LED が点灯していれば、正常に動作していることを示します。これは、スイッチにレスキュー構成がないことを表しています。現在の構成を、rollback コマンドで戻ることができるレスキュー構成として保存するには、CLI にログインした後に、次のように入力します。

```
user@switch> request system configuration rescue save
```

パート 7: 2 台の J-EX4500 スイッチで J-EX4500 仮想シャーシを構成

1. 両方の J-EX4500 スイッチが、同じバージョンの Junos オペレーティング システム (Junos OS) を実行していることを確認します。
2. 仮想シャーシ ケーブルおよびケーブル コネクタ リテーナで、J-EX4500 スイッチを相互に接続します。各スイッチの後ろにある専用仮想シャーシポート (VCP) を使用します。



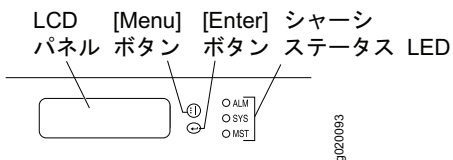
3. 仮想シャーシで接続される各スイッチのシリアル番号を書き留め、最初に電源をオンにして設定するマスタ スイッチを選択します。
4. マスタ スイッチのみ、電源を接続し、初期設定を行います。3 ページ のパート 6 を参照してください。
5. (オプション) マスタ スイッチで設定モードに入り、仮想シャーシの帯域外管理用の仮想管理イーサネット (VME) インターフェースを設定します。

```

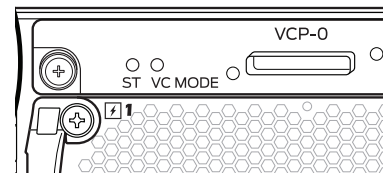
user@switch> configure
user@switch# set interfaces vme unit 0 family inet address ip-address
    
```
6. マスタ スイッチで、事前にプロビジョニング済みの設定モードを指定し、両方のスイッチに **routing-engine** ロールを割り当てて、設定をコミットします。

```

user@switch# edit virtual-chassis
user@switch# set preprovisioned
user@switch# set member 0 serial-number serial-number role routing-engine
user@switch# set member 1 serial-number serial-number role routing-engine
user@switch# commit
    
```
7. もう一方の J-EX4500 スイッチの電源をオンにします。初期設定は必要ありません。そして、各電源装置の LED が緑色に点灯し、正常動作を示していることを確認します。
8. マスタ スイッチで、LCD パネルの右側にある緑色の MST (マスタ) LED が点灯していることを確認します。



9. 仮想シャーシの両方のスイッチで、仮想シャーシ モジュールの緑色の ST (ステータス) LED および VC MODE LED が点灯していることを確認します。



パート 8 : J-EX4200 と J-EX4500 の混合仮想シャーシの構築

△ 注意: 以下の指示を読む前に、仮想シャーシの複数のスイッチを物理的に接続しないでください。

ご利用のスイッチは、最大 8 台の J-EX4200 スイッチおよび 1 台の他の J-EX4500 スイッチからなる仮想シャーシ設定の一部として使用できます。J-EX4500 スイッチがマスタでなければなりません。

以下の手順は、どれもが現在の仮想シャーシ メンバーではない 2 台の J-EX4500 スイッチと 2 台の J-EX4200 スイッチを、**事前にプロビジョニング済みの構成にて構成**する方法を示します。混合仮想シャーシ向けに事前プロビジョニングすることを強く推奨します。

1. 混合仮想シャーシ用の両方の J-EX4200 スイッチを初期設定します。
<http://www.support.dell.com/manuals> にある Dell PowerConnect J-EX4200 スイッチの文書を参照してください。
2. 混合仮想シャーシで接続される J-EX4200 スイッチおよび J-EX4500 スイッチがすべて、Junos OS の同じバージョンを実行していることを確認します。
3. 仮想シャーシで接続される各スイッチのシリアル番号を書き留め、J-EX4500 スイッチをマスタ スイッチとして選択します。
4. 最初に J-EX4500 マスタ スイッチの電源をオンに、次に、もう 1 台の J-EX4500 メンバー スイッチの電源をオンにします。前もって設定していないスイッチについては、3 ページ のパート 6 を参照してください。
5. 両方の J-EX4500 スイッチを混合仮想シャーシ モードに設定し、各スイッチを再起動します。

```

user@switch> request virtual-chassis mode mixed
user@switch> request system reboot
    
```
6. 両方の J-EX4200 仮想シャーシ メンバー スイッチの電源をオンにします。
7. 両方の J-EX4200 スイッチを混合仮想シャーシ モードに設定し、各スイッチを再起動します。

```

user@switch> request virtual-chassis mode mixed
user@switch> request system reboot
    
```
8. (オプション) 再びマスタ スイッチにログオンして設定モードに入り、仮想シャーシの帯域外管理用の仮想管理イーサネット (VME) インターフェースを設定します。

```

user@switch> configure
user@switch# set interfaces vme unit 0 family inet address ip-address
    
```


Dell PowerConnect J シリーズ J-EX4500 イーサネットスイッチ クイック スタート ガイド、5 ページ

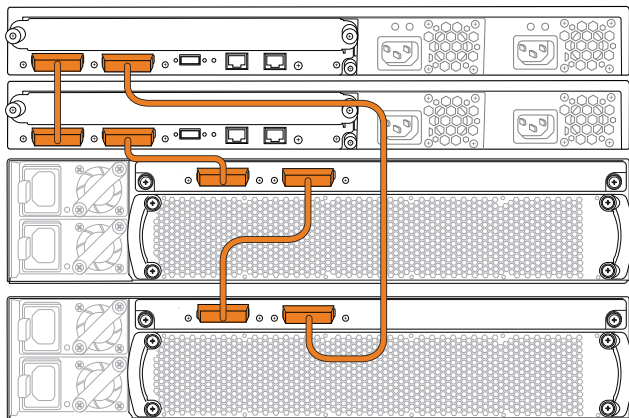
9. マスタ スイッチで、事前にプロビジョニング済みの設定モードを指定し、両方の J-EX4500 メンバー（マスタを含む）に **routing-engine** ロールを割り当てます。

```
user@switch# edit virtual-chassis
user@switch# set preprovisioned
user@switch# set member member-id-1 serial-number
serial-number-1 role routing-engine
user@switch# set member member-id-2 serial-number
serial-number-2 role routing-engine
```

10. マスタ スイッチで、両方の J-EX4200 メンバーに **linecard** ロールを割り当てることにより事前プロビジョニングを継続し、設定をコミットします。

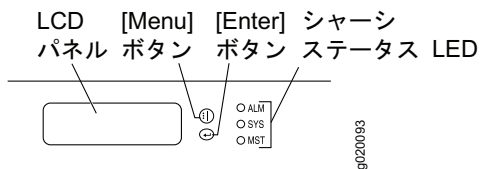
```
user@switch# set member member-id-3 serial-number
serial-number-3 role linecard
user@switch# set member member-id-4 serial-number
serial-number-4 role linecard
user@switch# commit
```

11. 4 本の仮想シャーシ ケーブルおよび 4 個のケーブル コネクタ リテーナで、各スイッチの背面にある専用 VCP を使用して、4 台のスイッチを相互に接続します。

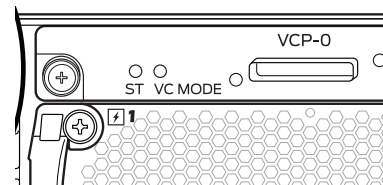


12. マスタ スイッチにて：

- LCD パネルの右側にある緑色の MST（マスタ）LED が点灯していることを確認します。



- 仮想シャーシ モジュールにある緑色の ST（ステータス）LED および VC MODE LED が両方とも点灯していることを確認します。



13. もう一方の J-EX4500 メンバー スイッチで、緑色の MST LED が点滅していて、緑色の ST LED および VC MODE LED が点灯していることを確認します。

14. 両方の J-EX4200 ライン カード メンバーで、LCD パネルの右側にある MST LED が消灯していることを確認します。

安全上の注意の要約

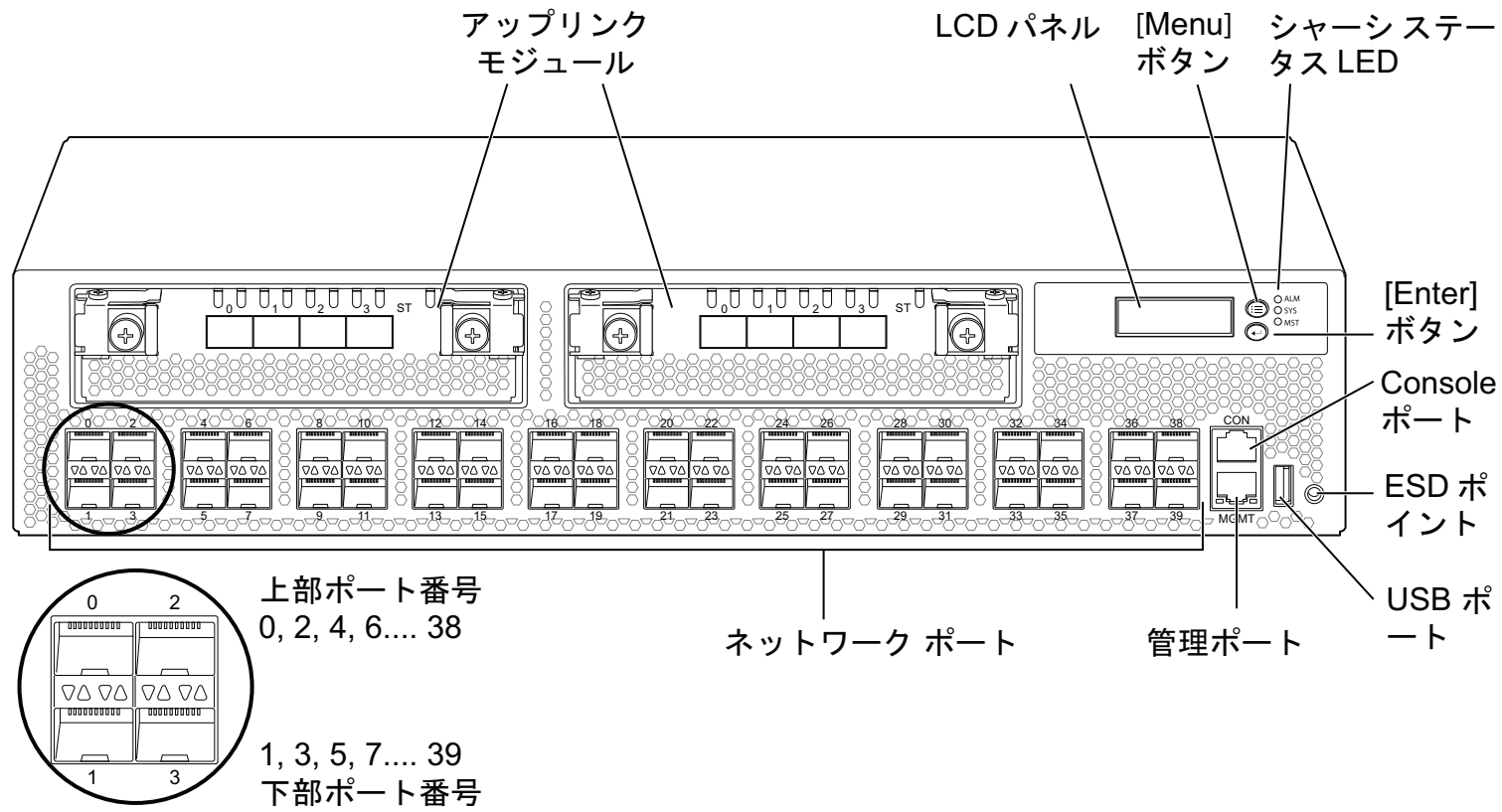
これは、安全上の注意の要約です。訳を含む警告の完全なリストは、<http://www.support.dell.com/manuals> にある Dell PowerConnect J-EX4500 スイッチの文書を参照してください。

⚠ 警告：以下の安全上の注意を守らないと、けがまたは死亡に至る場合があります。

- 訓練を受け資格のあるスタッフのみが、スイッチ コンポーネントの取り付けや交換を行ってください。
- このクイック スタート ガイドまたは J-EX4500 スイッチの文書に記載された手順のみを実行してください。他のサービスは、許可を得たサービス担当者のみが行います。
- スイッチを設置する前に、J-EX4500 スイッチの文書に記載された計画に関する指示を読み、設置場所が、スイッチの電源、環境、およびすき間の要件に合致することを確認してください。
- スイッチを電源に接続する前に、J-EX4500 スイッチの文書にある設置手順を読んでください。
- 1 台の電源装置を搭載する J-EX4500 スイッチの重量は、17 kg (37 ポンド) あります。2 台の電源装置を搭載する場合、重量は 18 kg (40 ポンド) あります。スイッチをラックに設置するには、スイッチを持ち上げる人と取り付けねじを装着する人が必要です。けがを防ぐため、背筋を伸ばして、腰を曲げずに脚を使って持ち上げます。
- ラックに安定装置がある場合、ラックに安定装置を取り付けてから、ラックでのスイッチの取り付けや保守を行ってください。
- 電気コンポーネントの取り付け前または取り外し後は必ず、コンポーネント側を上にして、平らな帯電防止面上に置くか、または静電気バッグに入れます。
- 雷雨の際には、スイッチでの作業またはケーブルの接続や切断を行わないでください。
- 電力線に接続している装置で作業を行う前に、指輪、ネックレス、時計などの宝飾品類を外してください。電源またはアースに接すると、金属が発熱し、重度のやけどの原因となったり、端子に溶接されてしまう場合があります。
電源ケーブルに関する注意。 付属の電源ケーブルは、この製品専用です。他の電気機器に使用しないでください。

Dell Inc. へのお問い合わせ

テクニカル サポートについては <http://www.support.dell.com> を参照してください。



g021071

本書の内容は予告なく変更することがあります。本書で使用される商標：Dell™、DELL™、PowerConnect™ ロゴマークは、Dell Inc. の商標です。Juniper Networks®、Junos® は、米国およびその他の諸国での Juniper Networks, Inc. の登録商標です。本文書に掲載されているその他の商標、登録商標はすべて各所有者に帰属します。Juniper Networks は、本文書内の誤りに関する責任を一切負いません。Juniper Networks は事前に通告することなく、変更、修正、移動などにより本出版物を改訂する権利を有します。Juniper Networks が製造または販売した製品、または同製品の構成部品には、Juniper Networks が所有する、または同社にライセンス供与された以下の特許が1つ以上適用されている場合があります。米国特許番号 5,473,599、5,905,725、5,909,440、6,192,051、6,333,650、6,359,479、6,406,312、6,429,706、6,459,579、6,493,347、6,538,518、6,538,899、6,552,918、6,567,902、6,578,186、および 6,590,785。



Dell PowerConnect J-시리즈 J-EX4500 이더넷 스위치 쿼크 스타트

Dell PowerConnect J-시리즈 J-EX4500 이더넷 스위치(정식 모델 번호 EX4500)를 2포스트 19인치 랙 또는 캐비닛에 설치 또는 구성하려면 다음이 필요합니다

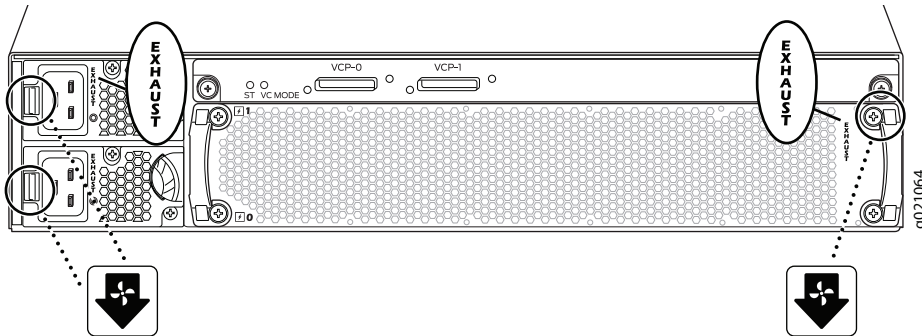
- 장착 브래킷 2개 및 장착 나사 20개(기본 제공)
- 필립스 (+) 스크루 드라이버, 2호
- 랙 또는 캐비닛에 새시를 장착할 수 있는 적절한 크기 및 유형의 랙 장착 나사 8개(기본 제공) 및 랙에 필요한 경우 케이지 너트 및 와셔 8개
- 사각, 비나사산 구멍이 있는 랙에 스위치를 설치할 경우 일자(-) 스크루 드라이버
- 각 전원 공급장치의 점퍼 케이블과 코드 리테이너(기본 제공)
- 가상 새시 연결용 1개 이상의 가상 새시 케이블과 케이블 커넥터 리테이너
- 접지 케이블 14 AWG (2 mm²), 최소 90°C 와이어 -자격 있는 전기 기사가 연결한 접지 러그 포함, 접지점 0.625 in. (15.86 mm)의 공간을 둡니다
- 접지 러그를 스위치에 고정하기 위한 스플릿 와셔가 있는 10-32 x 1/4-인치 나사 2개
- RJ-45 커넥터가 연결되어 있는 이더넷 케이블(기본 제공)
- PC 또는 랩톱과 같은 이더넷 포트가 있는 관리 호스트

참고: 4-포스트 랙 또는 캐비닛 설치 및 기타 내용은 <http://www.support.dell.com/manuals>에서 Dell PowerConnect J-EX4500 스위치 설명서를 참고하십시오.

1부: 스위치에 전원 공급장치 설치(설치되어 있지 않은 경우)

- 올바른 전원 공급장치인지 확인하십시오.
 - 이젝터 레버 화살표가 스위치 후면 팬 트레이 핸들의 화살표와 모든 지점에서 방향이 일치하는지 확인합니다.
 - 전원 공급과 팬 트레이 라벨이 일치하는지 확인합니다—모두 흡기 또는 배기이어야 합니다.

주의: 올바르지 않은 전원 공급 장치를 사용해 스위치를 작동할 경우 스위치에 과열이 유발될 수 있습니다.



- 전원 공급장치 핀, 리드 또는 납땜 연결부 등을 건드리지 않도록 주의하며, 백에서 전원 공급장치를 꺼냅니다.

- 양손으로 스위치 후면 패널에 있는 전원 공급장치 슬롯에 전원 공급장치를 놓고 완전히 장착될 때까지 밀니다.
- 필요한 경우 두 번째 전원 공급장치에 대해 이 단계를 반복합니다.

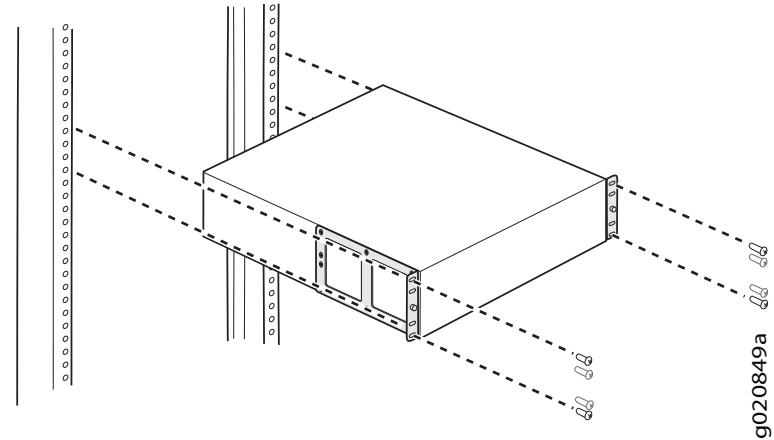
2부: 스위치 장착

참고: 스위치의 무게는 설치된 구성품에 따라 최대 40 lb (18 kg)까지 될 수 있습니다. 설치에는 스위치를 들어올릴 사람과 랙에 고정시킬 또 다른 사람이 필요합니다.

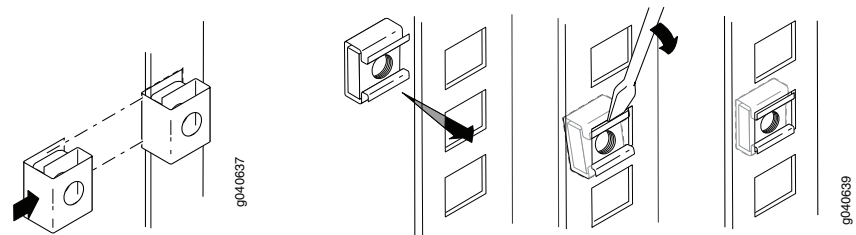
- 공기 흐름과 유지관리를 위한 적절한 공간을 확보할 수 있는 영구 위치에 랙을 두고 견을 구조물에 고정합니다.
- 사용자의 현장에 열기통로 및 냉기통로에 대한 요구사항이 있는 경우, 스위치 후면의 라벨을 확인하여 새시를 전면 장착할지, 또는 후면 장착할지 결정합니다.
 - EXHAUST—뜨거운 공기가 팬 트레이와 전원 공급장치를 빠져나갑니다(앞에서 뒤로의 공기흐름).
 - INTAKE—뜨거운 공기가 새시의 전면을 빠져나갑니다(뒤에서 앞으로의 공기흐름).

참고: 랙에 장치를 여러 개 장착한 경우, 가장 무거운 장치를 맨 아래에 장착하고 그 다음 무거운 순서대로 아래서부터 장착합니다.

- 랙에서 스위치를 장착할 위치를 결정합니다.

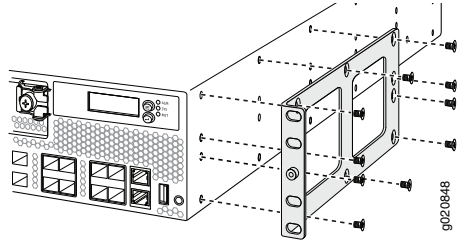


- 랙에 케이지 너트가 필요한 경우, 각 랙 포스트에서 같은 높이에 적당한 간격을 띄운 4개 구멍에 라운드 구멍형 케이지 너트(클립 너트) 또는 정사각형 구멍형 케이지 너트(그리고 와셔)를 설치합니다.

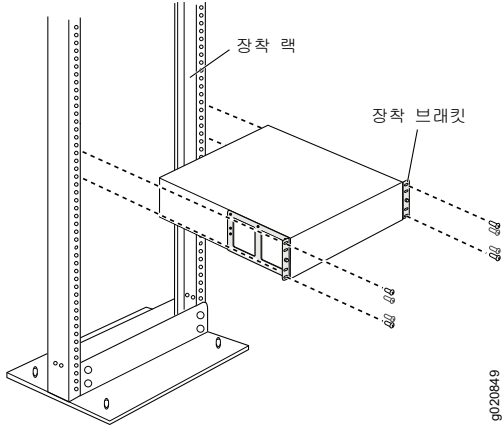


Dell PowerConnect J-시리즈 J-EX450 이더넷 스위치 콕 스타트-2페이지

5. 평평하고 안정적인 표면에 스위치를 놓습니다.
6. 스위치를 전면 장착하느냐 또는 후면 장착하느냐 여부에 따라 새시의 전면 또는 후면 측면 패널에 장착 브래킷을 맞춥니다.
7. 장착 브래킷을 장착 나사를 이용해 새시에 부착하고 나사를 조입니다.



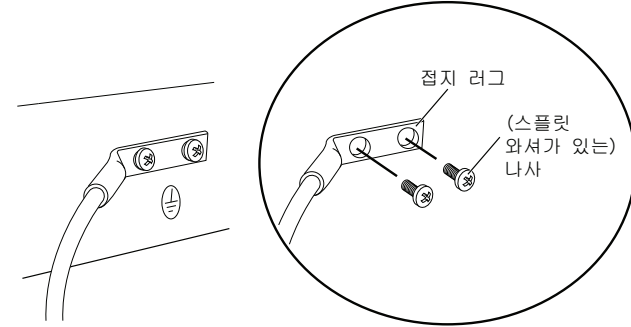
8. 한 사람이 스위치의 양쪽 면을 잡고 들어올린 다음, 장착 브래킷 구멍과 랙 포스트에 있는 구멍을 맞추어 스위치를 랙에 위치시켜 각 브래킷의 아래 구멍이 각 랙 포스트의 구멍과 일치하여 새시가 수평을 이루도록 합니다.



9. 다른 사람이 랙 장착 나사를 각 구멍에 설치해 스위치를 랙에 고정시킵니다.
10. 새시가 수평임을 확인한 다음 나사를 조입니다.

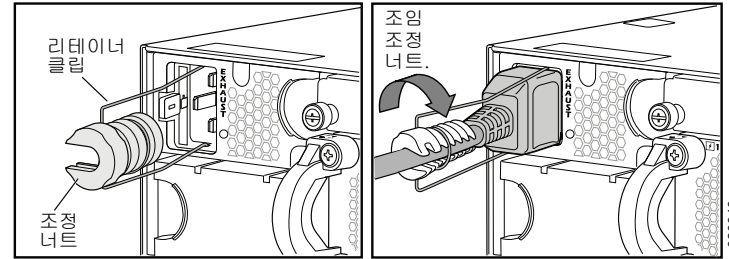
3부: 스위치를 접지면에 연결

1. 접지 케이블의 한쪽 끝을 스위치가 장착되어 있는 랙과 같은 적절한 접지면에 연결합니다.
2. 새시(후면을 향해서)의 왼쪽 측면에 있는 보호용 접지 단자 위에 접지 케이블이 연결되어 있는 접지 러그를 놓고, 나사와 와셔를 조여 러그를 단자에 고정합니다.



4부: 점퍼 케이블을 전원 공급 장치에 연결

1. 점퍼 케이블 리테이너 클립 양쪽을 조여 와이어 클립의 L자형 끝부분을 AC 기기 입구의 각 면에 있는 브래킷 구멍에 끼워 넣습니다.



2. 점퍼 케이블의 커플러 끝을 AC 기기 입구에 끼워 넣습니다.
3. 리테이너 클립을 코드쪽으로 밀어 넣어 코드를 조절 너트의 슬롯으로 넣습니다.
4. 커플러 바닥에 꼭 조여져 너트의 슬롯이 스위치 상부를 기준으로 90도로 돌아갈 때까지 너트를 돌립니다.
5. AC 전원 콘센트에 전원 스위치가 있다면, OFF(0) 위치로 설정합니다.
6. 필요한 경우 두 번째 전원 공급장치에 대해 이 단계를 반복합니다.

참고: 아직은 스위치 전원을 켜지 마십시오. 최초 구성 시에 전원을 켜도록 하십시오. 전원 인가 순서가 마스터십을 결정하기 때문에 가상 새시 구성에서는 저원 인가 시점이 특히 중요합니다.

5부: J-EX450 스위치 작동 방식 결정

- **독립형**—J-EX450을 독립형 스위치로 사용하려면 전원 연결 및 최초 구성 실행에 관한 설명이 나와 있는 6부 3 이지를 참고하십시오.
- **J-EX450 가상 새시**—다른 J-EX450 스위치를 사용해 가상 새시를 만드려면 4 이지에 관한 설명이 나와 있는 7부를 참고하십시오.
- **혼합형 가상 새시**—최대 8대의 J-EX4200 스위치 및 최대 1대의 다른 J-EX4500 스위치를 사용해 가상 새시를 만드려면 4 이지에 관한 설명이 나와 있는 8부를 참고하십시오.

△ 주의: J-EX4500 스위치는 가상 새시 모듈이 설치된 상태로 출하되지만, 가상 새시를 작동시키려면 하드웨어 연결 외에 추가 준비 작업이 필요합니다. 해당 지시 사항을 읽기 전에 가상 새시에 여러 대의 스위치를 물리적으로 연결하지 마십시오.

또, 기존 J-EX4200 가상 새시 또는 혼합형 J-EX4200 및 J-EX4500 가상 새시에 J-EX4500 스위치를 추가하여도 됩니다. 자세한 방법은 <http://www.support.dell.com/manuals>에 나와 있는 Dell PowerConnect J-EX 시리즈 설명서를 참고하십시오.

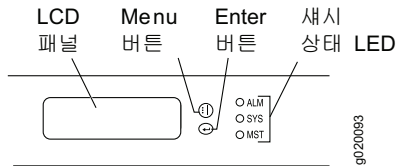
☑ 참고: J-Web 인터페이스를 사용해 독립형 J-EX4500 스위치를 구성 및 관리할 수 있지만, J-Web 인터페이스는 J-EX4500 가상 새시 또는 혼합형 가상 새시의 구성 및 관리는 지원하지 않습니다.

6부: 스위치 전원 켜기 및 최초 구성 수행

☑ 참고: 스위치를 J-EX4500 가상 새시에 추가하시는 경우, 먼저 4 이지에 관한 내용이 나와 있는 7부를 참고하십시오. 혼합 가상 새시에 대한 내용은 먼저 4 이지에 관한 8부를 참고하십시오.

구성을 시작하기 전에 다음 절차를 확인하십시오.

1. 정퍼 케이블 플러그를 스위치의 전원 콘센트에 끼워 넣습니다.
2. AC 전원 콘센트에 전원 스위치가 있다면, ON(I) 위치로 설정합니다.
3. 각 전원 공급 장치의 LED에 모두 녹색등이 켜지면서 정상 작동 상태가 유지되는지 확인하십시오.
4. 스위치에 연결할 관리 PC 또는 랩톱에서 DHCP 클라이언트를 활성화해 관리 장치와 IP 주소를 동적으로 할당받을 수 있도록 합니다.
5. LCD 패널, Menu 및 Enter 버튼, LED 상태 등에 익숙해지도록 하십시오.



스위치가 초기 설정 모드일 경우, LCD 패널에는 카운트다운 타이머가 표시됩니다. 10 분 내에 EZSetup을 이용해 초기 구성을 완료해야 합니다. 10 분이 지나면 스위치가 EZSetup을 종료하고 출고 시 기본 구성으로 돌아가며, PC 또는 랩톱과 스위치 간 연결이 끊어집니다.

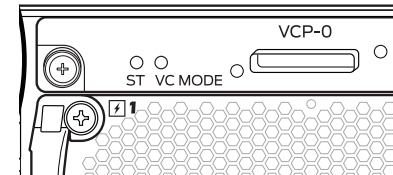
6. 스위치를 최초 설정 모드로 옮깁니다.
 - MAINTENANCE MENU가 보일 때까지 Menu 버튼을 누릅니다. 그런 다음 Enter 버튼을 누릅니다.
 - EZSetup이 보일 때까지 Menu 버튼을 누릅니다. 그런 다음 Enter 버튼을 누릅니다. 메뉴에 EZSetup이 옵션으로 나타나지 않을 경우, **Factory Default**를 선택하면 스위치가 출고 시 기본 구성으로 돌아갑니다. EZSetup은 스위치가 출고 시 기본 구성으로 설정되어 있을 경우에만 메뉴에 나타납니다.
 - Enter 버튼을 눌러 설정을 확인하고 EZSetup 작업을 계속 진행합니다.
7. PC 또는 랩톱에 있는 이더넷 포트의 이더넷 케이블을 스위치 전면 패널의 MGMT 포트(me0)에 연결합니다.

me0 인터페이스(MGMT라고 라벨된 포트)는 기본 IP 주소 192.168.1.1을 가진 DHCP 서버로 구성됩니다. 스위치는 관리 PC 또는 랩톱에 192.168.1.2부터 192.168.1.253까지 범위에서 IP 주소를 할당할 수 있습니다.

8. PC 또는 랩톱에서, 웹 브라우저를 열고 주소창에 <http://192.168.1.1>을 입력한 다음 Enter 키를 누릅니다.
9. J-Web Login 페이지에서, 사용자 이름으로 root를 입력하고 암호는 빈칸으로 놔두고 Login을 클릭합니다.
10. Introduction 페이지에서 Next를 클릭합니다.
 - ☑ 참고: 가상 새시 마스터 스위치를 구성하는 경우 11단계부터 14단계까지 입력하는 값은 모든 가상 새시 구성원에 적용됩니다.
11. Basic Settings 페이지에서, 호스트 이름을 입력하고, 암호를 두 번 입력하고, 시간대를 지정하고, 스위치의 날짜와 시간 설정을 관리 PC 또는 랩톱과 동기화하거나 직접 설정합니다. 그런 다음 Next를 클릭합니다.
12. Management Options 페이지에서 **Out-of-band Management—Configure management port**를 선택해 관리 인터페이스를 구성하고 Next를 클릭합니다.
13. 관리 인터페이스의 IP 주소와 기본 게이트웨이를 지정합니다.
14. Next를 클릭합니다. Manage Access 페이지에서, 옵션을 선택해 Telnet, SSH, SNMP 서비스를 활성화합니다. SNMP의 경우, 읽기 커뮤니티, 위치, 연락처 등을 구성할 수 있습니다.
15. Next를 클릭합니다. Summary 페이지에 지금까지 선택한 설정이 표시됩니다.
16. Finish를 클릭합니다. 이 구성이 활성화된 스위치의 구성이 됩니다.
 - ☑ 참고: 관리 PC 또는 랩톱과 스위치 사이의 연결이 끊어진 경우, PC 또는 랩톱에 해당하는 명령어를 입력해 IP 주소를 릴리스를 해서 갱신하거나 이더넷 케이블을 분리해서 다시 연결합니다.
17. 독립형으로 작동시킬 때에만, CLI(명령줄 인터페이스)에 로그인해 인트라커넥트로 모드를 설정합니다:


```
user@switch> request chassis pic-mode intraconnect
```

독립형으로 작동시키는 경우에 한해, 가상 새시 모듈의 ST(상태) LED 녹색등이 안정적으로 유지되고 VC MODE LED가 꺼진 상태인지 확인합니다.

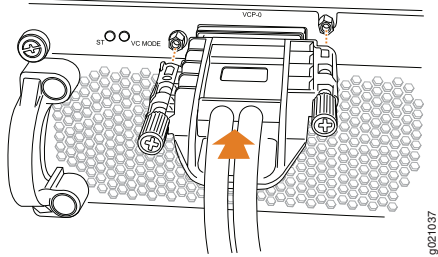


18. LCD 패널 우측의 황색 경고등 LED를 관찰하십시오. 황색(경미) 경고 LED가 켜져 있으면 정상입니다. 이는 스위치에 복구 구성 세트가 없다는 것을 의미합니다. 현재 구성을 rollback 명령어로 돌아갈 수 있도록 복구 구성으로 저장하려면, CLI로 로그인하고 다음을 입력합니다.


```
user@switch> request system configuration rescue save
```

7부: J-EX4500 스위치 2대로 J-EX4500 가상 새시 만들기

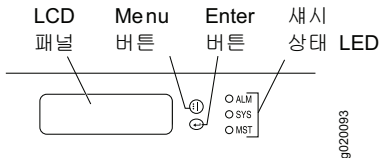
1. J-EX4500 스위치 2대가 모두 같은 버전의 Junos OS를 구동하고 있는지 확인하십시오.
2. 가상 새시 케이블과 케이블 커넥터 리테이너, 그리고 각 스위치 후면의 전용 VCP(가상 새시 포트)를 사용해 J-EX4500 스위치들을 서로 연결합니다.



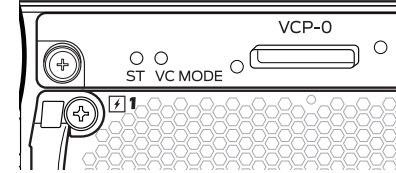
3. 가상 새시에 연결할 스위치의 일련번호를 적어둔 다음 먼저 전원을 인가하고 구성할 마스터 스위치를 선택합니다.
4. **마스터 스위치에만**, 전원을 연결하고 최초 구성을 실시합니다. 3 이지에 관한 6부를 참고하십시오.
5. (선택 사항) 마스터 스위치에서, 구성 모드를 입력한 다음 가상 새시의 대역 외 관리용 VME(가상 관리 이더넷) 인터페이스를 구성합니다.

```
user@switch> configure
user@switch# set interfaces vme unit 0 family inet address ip-address
```
6. 마스터 스위치에서, 사전 공급된 구성 모드를 명시하고, 두 스위치에 모두 **routing-engine** 역할을 할당할 다음 구성을 지정합니다:

```
user@switch# edit virtual-chassis
user@switch# set preprovisioned
user@switch# set member 0 serial-number serial-number role routing-engine
user@switch# set member 1 serial-number serial-number role routing-engine
user@switch# commit
```
7. 다른 J-EX4500 스위치의 전원을 켜고(최초 구성은 필요하지 않습니다) 각 전원 공급 장치의 LED 녹색등이 안정적으로 유지되면서 정상 작동 상태를 보이는지 확인합니다.
8. 마스터 스위치에서 LCD 패널 우측의 MST(마스터) LED 녹색등이 안정적으로 유지되는지 확인합니다.



9. 가상 새시의 양쪽 스위치에서, 가상 새시 모듈의 ST(상태) 녹색등과 VC MODE LED 녹색등이 안정적으로 켜진 상태를 유지하는지 확인합니다.



8부: 혼합형 J-EX4200 및 J-EX4500 가상 새시 만들기

⚠ 주의: 본 지시 사항을 읽기 전에 가상 새시에 여러 대의 스위치를 물리적으로 연결하지 마십시오.

이 스위치는 J-EX4200 스위치 최대 8대와 1대의 다른 J-EX4500 스위치로 이루어진 가상 새시 구성에 사용하실 수 있습니다. 반드시 J-EX4500 스위치가 마스터 스위치가 되어야 합니다.

본 지시 사항은 **사전 공급된** 구성에서 J-EX4500 스위치 2대와 JEX4200 스위치 2대(현재 가상 새시 구성원은 아닙니다)를 구성하는 방법을 안내해 드립니다. 혼합형 가상 새시로는 사전 공급을 강력히 권장해 드립니다.

1. 혼합형 가상 새시용 J-EX4200 스위치는 2대 모두 최초 구성되도록 하십시오. 자세한 방법은 <http://www.support.dell.com/manuals>에 나와 있는 Dell PowerConnect J-EX4200 스위치 설명서를 참고하십시오.
2. 혼합형 가상 새시에서 연결할 J-EX4200 스위치와 J-EX4500 스위치는 모두 같은 버전의 Junos OS를 구동하고 있어야 합니다.
3. 가상 새시에 연결할 스위치의 일련번호를 적어둔 다음 먼저 전원을 인가하고 마스터 스위치로 사용할 J-EX4500을 선택합니다.
4. 먼저 J-EX4500 마스터 스위치 전원을 켜 다음 나머지 J-EX4500 구성원 스위치 전원을 켭니다. 사전 구성되지 않은 스위치의 경우, 3 이지에 관한 6부를 참고하십시오.
5. J-EX4500 스위치는 2대 모두 혼합형 가상 새시 모드로 변경한 다음 재부팅합니다.

```
user@switch> request virtual-chassis mode mixed
user@switch> request system reboot
```
6. J-EX4200 가상 새시 구성원 스위치 2대 모두 전원을 켭니다.
7. J-EX4200 스위치는 2대 모두 혼합형 가상 새시 모드로 변경한 다음 재부팅합니다.

```
user@switch> request virtual-chassis mode mixed
user@switch> request system reboot
```
8. (선택 사항) 다시 마스터 스위치에 로그인해 들어가서 구성 모드를 입력한 다음 가상 새시의 대역 외 관리용 VME(가상 관리 이더넷) 인터페이스를 구성합니다.

```
user@switch> configure
user@switch# set interfaces vme unit 0 family inet address ip-address
```

Dell PowerConnect J-시리즈 J-EX4500 이더넷 스위치 쿼 스타트-5페이지

9. 마스터 스위치에서 사전 공급된 구성 모드를 명시한 다음 J-EX4500 구성원 2대 (마스터 포함)에 모두 **routing-engine** 역할을 할당합니다.

```

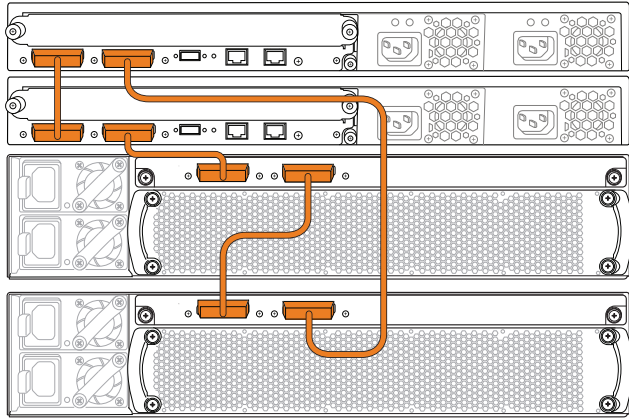
user@switch# edit virtual-chassis
user@switch# set preprovisioned
user@switch# set member member-id-1 serial-number
serial-number-1 role routing-engine
user@switch# set member member-id-2 serial-number
serial-number-2 role routing-engine
    
```

10. 마스터 스위치에서 J-EX4200 구성원 2대에 모두 **linecard** 역할을 할당해 사전 공급을 계속 진행한 다음 구성을 적용합니다.

```

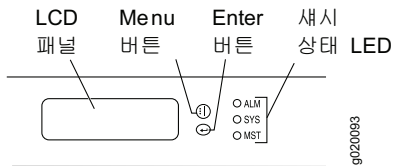
user@switch# set member member-id-3 serial-number
serial-number-3 role linecard
user@switch# set member member-id-4 serial-number
serial-number-4 role linecard
user@switch# commit
    
```

11. 4개의 가상 새시 케이블과 케이블 커넥터 리테이너, 각 스위치 후면의 전용 VCP를 사용해 4대의 스위치를 서로 연결합니다.

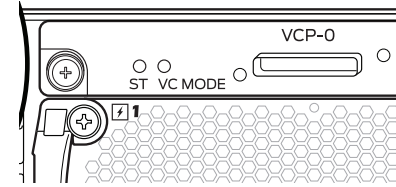


12. 마스터 스위치에서:

- LCD 패널 우측의 MST(마스터) LED 녹색등이 안정적으로 유지되는지 확인합니다.



- 가상 새시 모듈의 ST(상태) 및 VC MODE LED 녹색등이 모두 안정적으로 켜진 상태를 유지하는지 확인합니다.



13. 다른 J-EX4500 구성원 스위치에서, MST LED 녹색등이 점멸하고, ST 및 VC MODE LED 녹색등이 안정적으로 켜진 상태를 유지하는지 확인합니다.

14. J-EX4200 라인카드 구성원 양쪽에서 모두 LCD 패널 우측의 MST LED가 꺼진 상태인지 확인합니다.

안전 경고 요약

다음은 안전 경고에 대한 요약입니다. 번역본을 포함해 전체 경고 목록은

<http://www.support.dell.com/manuals>에서 PowerConnect J-EX4500 스위치 설명서를 참고하십시오.

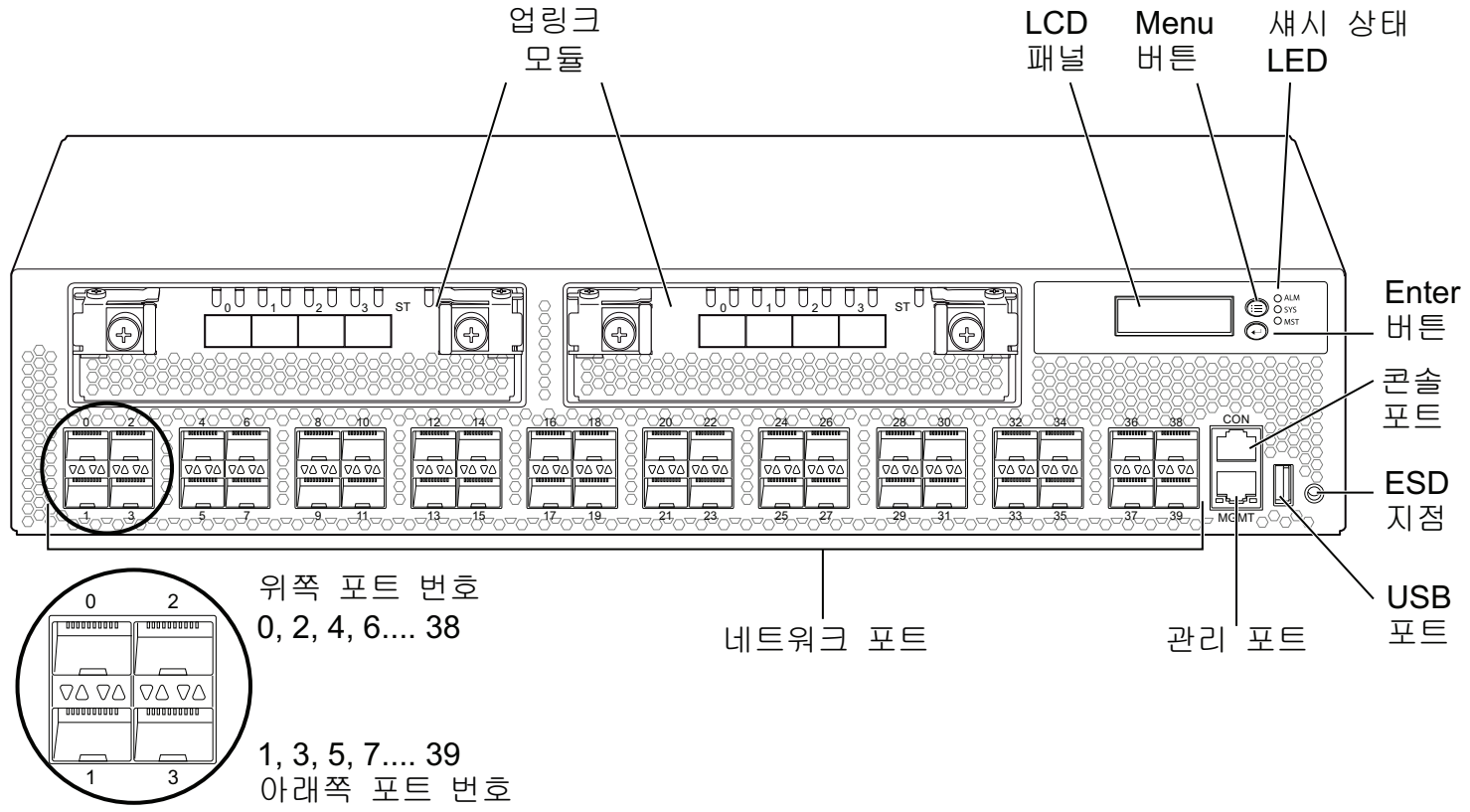
경고: 이 안전 경고를 준수하지 않으면 부상을 당하거나 사망에 이를 수도 있습니다.

- 스위치 구성품을 설치하거나 교체하는 것은 교육을 받은 정식 직원이 수행하도록 합니다.
- 이 쿼 스타트 및 J-EX4500 스위치 설명서에 명시되어 있는 절차만 따르십시오. 기타 서비스는 인가받은 서비스 직원만 수행해야 합니다.
- 스위치를 설치하기 전에, J-EX4500 스위치 설명서에 있는 계획 지침을 읽어보고 설치 장소가 스위치의 전원, 환경 및 공간 요구사항을 충족하는지 확인합니다.
- 스위치에 전원을 연결하기 전에, J-EX4500 스위치 설명서에 적힌 설치 지침을 읽어보십시오.
- 하나의 전원 공급장치를 가진 J-EX4500 스위치의 무게는 37 lb (17 kg)입니다. 전원 공급장치가 두 개일 경우, 스위치의 무게는 40 lb (18 kg)입니다. 랙에 스위치를 설치하려면 한 사람이 스위치를 들고 다른 사람이 장착 나사를 설치해야 합니다. 부상을 방지하려면, 등을 깨끗이 편 상태에서, 등으로 들어올리지 말고 두 다리에 힘을 주고 들어올려야 합니다.
- 랙에 안정화 장치가 있다면, 이를 랙에 설치한 다음 랙에 스위치를 장착하거나 수리합니다.
- 전기 구성품을 설치하기 전 또는 제거한 후에는 항상 구성품 쪽을 위로 하여 평평한 정전기 방지 표면이나 정전기 백에 놓으십시오.
- 뇌우 중에는 스위치를 사용해 작업하거나 케이블을 연결 또는 연결 해제하지 마십시오.
- 전원선에 연결된 장비에서 작업하기 전에 반지, 목걸이, 시계를 포함한 커금속을 빼냅니다. 금속 물체는 전원선과 접지에 연결되었을 때 열을 발생시키며 심각한 화상을 초래하거나 터미널에 녹아 붙을 수도 있습니다.

Dell Inc. 연락처

기술 지원을 받으려면 <http://www.support.dell.com>을 참조하십시오.

Dell PowerConnect J-시리즈 J-EX450 이더넷 스위치 콕 스타트-6페이지



9021071



Guia de Início Rápido do Switch Ethernet Dell PowerConnect J-Series J-EX4500

Para instalar e configurar o switch Ethernet Dell PowerConnect J-Series J-EX4500 (número do modelo regulamentar EX4500) em um rack ou gabinete de duas colunas de 19 pol é preciso ter:

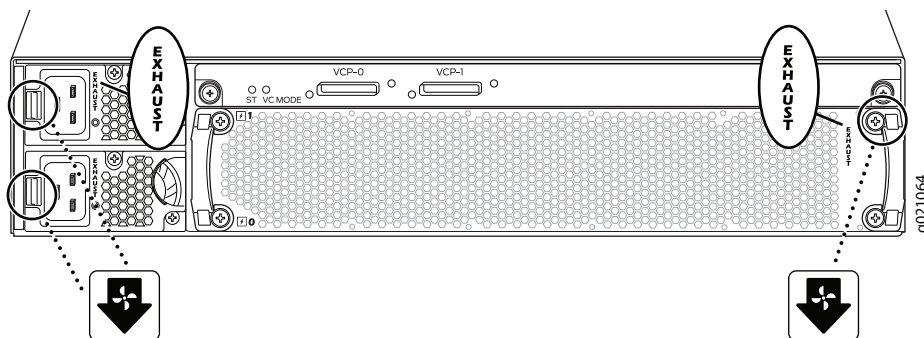
- Dois suportes de montagem e vinte parafusos de montagem (fornecidos)
- Uma chave de fenda Phillips (+), número 2
- 8 parafusos de montagem em rack – e 8 porcas gaiola e arruelas se o rack exigir – no tamanho e tipo apropriados para fixar o chassi no rack ou gabinete (fornecidos)
- Uma chave de fenda (-) normal se o switch for instalado em um rack com orifícios quadrados sem rosca
- Um cabo jumper e um retentor de cabo para cada fonte de energia (fornecidos)
- Para uma conexão do chassi virtual, um ou mais cabos e retentores de conector para cabo do chassi virtual
- Um cabo de aterramento — fio de 14 AWG (2 mm²), mínimo de 90 °C — com borne de aterramento instalado por um electricista credenciado, para pontos de aterramento 0,625 pol (15,86 mm) distantes um do outro
- Dois parafusos de 10-32 x 1/4 pol, com arruelas bipartidas de aperto para prender o borne de aterramento no switch
- Um cabo Ethernet com um conector RJ-45 montado (fornecido)
- Um host de gerenciamento com uma porta Ethernet, tal como um PC ou notebook

NOTA: para a instalação do rack de quatro colunas ou do gabinete e outras informações de instalação, consulte a documentação do Dell PowerConnect Switch J-Series J-EX4500 em <http://www.support.dell.com/manuals>.

Parte 1: instalação de uma fonte de energia no switch (se não estiver instalada)

1. Confirme se você está com a fonte de energia correta:
 - Verifique se a alavanca ejetora e as setas nas alças da bandeja do ventilador, na parte de trás do switch, apontam para a mesma direção.
 - Verifique se os rótulos da fonte de energia e da bandeja do ventilador — dizem EXHAUST ou INTAKE.

ALERTA: a operação do switch com uma fonte de energia incorreta pode causar o superaquecimento do switch.



2. Remova a fonte de energia da embalagem tomando cuidado para não tocar nos pinos, nas pontas das conexões ou nas soldas da fonte de energia.

3. Com as duas mãos, coloque a fonte de energia no slot da fonte de energia situado no painel traseiro do switch e empurre até ela se encaixar totalmente.
4. Repita essas etapas para a segunda fonte de energia, se necessário.

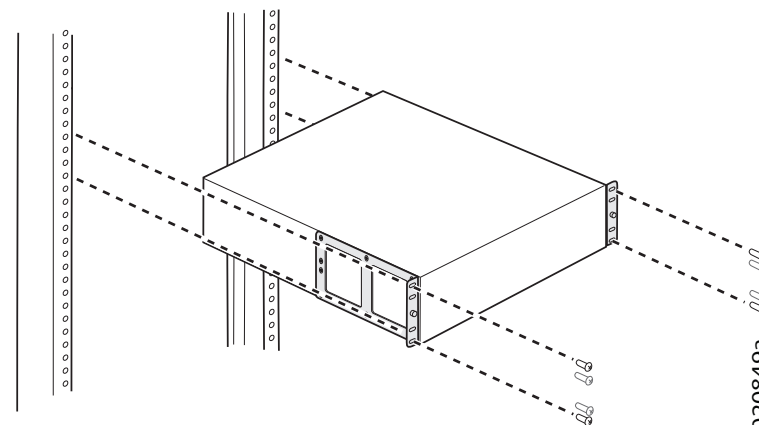
Parte 2: montagem do switch

NOTA: um switch pode pesar até 40 lb (18 kg), dependendo dos componentes nele instalados. Para a instalação, é preciso uma pessoa para erguê-lo e outra para fixá-lo no rack.

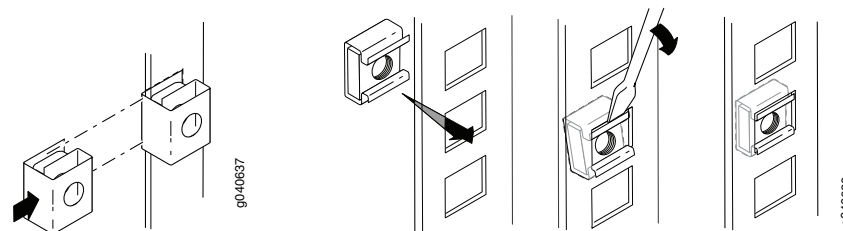
1. Coloque o rack no local permanente, deixando um espaço apropriado para a ventilação e a manutenção, e fixe-o à estrutura.
2. Se houver requisitos quanto à passagem de calor e frio no local confira, nos rótulos na parte de trás do switch, se a montagem do chassi deve ser frontal ou traseira:
 - EXHAUST — o ar quente sai pela bandeja do ventilador e pelos alimentadores de energia (fluxo de ar da frente para trás)
 - INTAKE — o ar quente sai pela frente do chassi (fluxo de ar de trás para frente).

NOTA: se estiver montando várias unidades no rack, monte a mais pesada na parte de baixo e as outras de baixo para cima, em ordem decrescente de peso.

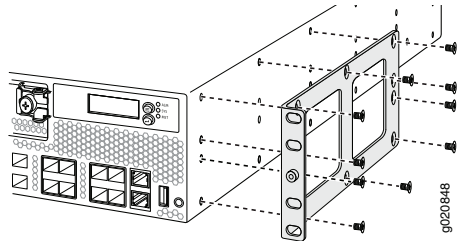
3. Determine o local no rack onde montar o switch.



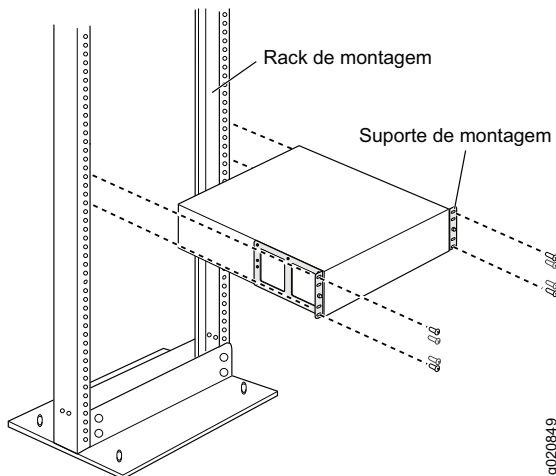
4. Se o rack usar porcas gaiola, instale uma porca gaiola apropriada para buraco redondo (clip nut) ou porca gaiola para buraco quadrado — e uma arruela — em 4 orifícios com distância apropriada no mesmo nível em cada coluna do rack.



5. Coloque o switch sobre uma superfície plana e estável.
6. Alinhe os suportes de montagem com a frente ou a traseira dos painéis laterais do chassi, dependendo se a montagem do switch for feita pela frente ou por trás.
7. Fixe os suportes de montagem no chassi com os parafusos de montagem, e aperte os parafusos.



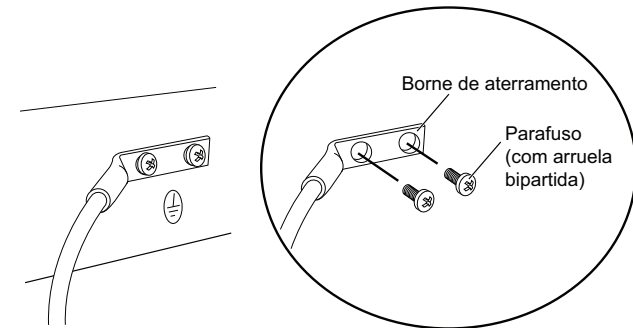
8. Peça a uma pessoa que segure os dois lados do switch para erguê-lo e posicioná-lo no rack, alinhando os orifícios do suporte de montagem aos orifícios das colunas do rack, para que o orifício da parte de baixo de cada suporte fique emparelhado a um orifício no mesmo nível de cada coluna do rack.



9. A segunda pessoa deve instalar um parafuso de montagem do rack em cada orifício, para fixar o switch no rack.
10. Verifique se o chassi está nivelado, e aperte os parafusos.

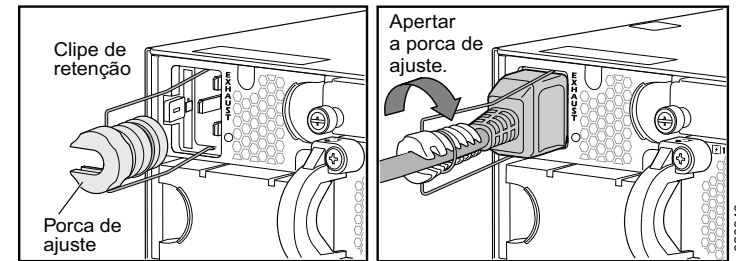
Parte 3: conexão do switch no circuito de aterramento

1. Conecte uma ponta do cabo de aterramento no circuito de aterramento adequado, tal como o rack no qual o switch foi montado.
2. Coloque o borne preso ao cabo de aterramento sobre o terminal de aterramento protetor no lado esquerdo do chassi (voltado para a parte de trás), e fixe o borne nele apertando os parafusos e arruelas.



Parte 4: conexão do cabo jumper à fonte de energia

1. Aperte os dois lados do clipe de retenção do cabo jumper e insira as pontas em L do clipe de metal nos orifícios do suporte, em cada lado da entrada do dispositivo de CA.



2. Insira o pino de engate no cabo jumper na entrada de CA do dispositivo.
3. Empurre o clipe de retenção contra o cabo até que o cabo deslize para dentro do slot na porca de ajuste.
4. Aperte firmemente a porca na base do pino de engate, até que o slot da porca fique em ângulo de 90° com a parte de cima do switch.
5. Se a fonte de energia de CA tiver um interruptor, coloque-o na posição OFF (0) (desligado).
6. Repita essas etapas para a segunda fonte de energia, se necessário.

NOTA: não ligue o switch agora. Ele deve ser ligado como parte da configuração inicial. A hora de ligar é muito importante para as configurações do chassi virtual porque a ordem em que é ligado ajuda a determinar o mestre.

Parte 5: determinação de como operar o Switch J-EX4500

- *Independente* — para operar o J-EX4500 como switch independente, vá para a Parte 6 na página 3 para conectar a energia e executar a configuração inicial.
- *Chassi virtual do J-EX4500* — para criar um chassi virtual com outro switch J-EX4500, vá para a Parte 7 na página 4.
- *Chassi virtual misto* — para criar um chassi virtual com até oito switches J-EX4200 e até um outro J-EX4500, vá para a Parte 8 na página 4.

ALERTA: embora os switches J-EX4500 sejam enviados com um módulo de chassi virtual instalado, a operação do chassi virtual requer outros preparos além da conexão de hardware. Não faça a conexão física de vários switches em um chassi virtual sem ter lido as respectivas instruções.

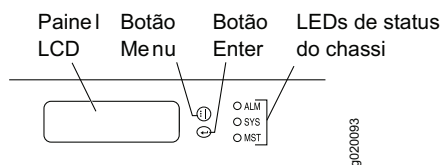
É possível também adicionar o switch J-EX4500 a um chassi virtual J-EX4200 existente, ou um chassi virtual misto de J-EX4200 e J-EX4500. Para mais instruções, leia a documentação do Dell PowerConnect J-Series em <http://www.support.dell.com/manuals>.

NOTA: é possível configurar e controlar um switch J-EX4500 independente com uma interface J-Web, mas a interface J-Web não é compatível com a configuração e controle de um chassi virtual J-EX4500 ou um chassi virtual misto.

Parte 6: ligação do switch e execução da configuração inicial

NOTA: se o switch for parte de um chassi virtual J-EX4500, vá primeiro para a Parte 7 na página 4. Para um chassi virtual misto, vá primeiro para a Parte 8 na página 4. Leia as etapas abaixo antes de iniciar a configuração:

1. Insira o plugue do cabo jumper na tomada elétrica do switch.
2. Se a fonte de energia de CA tiver um interruptor, coloque-o na posição ON (I) (ligado).
3. Verifique se o LED de cada fonte de energia está com a luz verde acesa e constante, indicando uma operação normal.
4. Ative o cliente DHCP no PC ou notebook de gerenciamento a ser conectado ao switch, para que o dispositivo de gerenciamento possa obter o endereço IP dinamicamente.
5. Familiarize-se com o painel LCD, botões Menu e Enter, e os LEDs de status.



O painel LCD exibe um temporizador de contagem regressiva quando o switch está no modo de instalação inicial. É preciso concluir a configuração inicial com a EZSetup no prazo de 10 minutos. O switch sai da EZSetup após 10 minutos e reverte para a configuração de fábrica. O PC ou notebook perde a conectividade com o switch.

6. Faça a transição do switch para o modo inicial de instalação:
 - Pressione o botão Menu até aparecer MAINTENANCE MENU. Em seguida, pressione o botão Enter.
 - Pressione o botão Menu até aparecer EZSetup (instalação fácil). Em seguida, pressione o botão Enter.

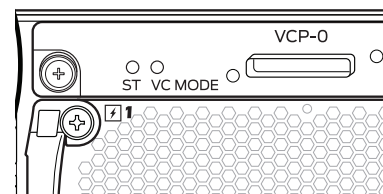
Se o EZSetup não aparecer como opção no menu, selecione **Factory Default** para que o switch volte a configuração padrão de fábrica. A EZSetup é exibida no menu somente quando o switch estiver definido para a configuração padrão de fábrica.

 - Pressione o botão Enter para confirmar a instalação e continuar com a EZSetup.
7. Conecte o cabo Ethernet da porta Ethernet no PC ou no notebook à porta MGMT (me0) no painel frontal do switch.

- A interface me0 (a porta rotulada MGMT) está agora configurada como servidor DHCP com o endereço IP padrão 192.168.1.1. O switch pode atribuir um endereço IP para o PC ou notebook de gerenciamento na faixa de 192.168.1.2 a 192.168.1.253.
8. No PC ou notebook, abra um navegador de Internet, digite <http://192.168.1.1> no campo de endereços e pressione a tecla Enter.
 9. Na página J-Web Login, digite root como nome de usuário, deixe o campo de senha em branco e clique em **Login**.
 10. Na página Introduction, clique em **Next**.
 - NOTA:** se estiver configurando um switch mestre do chassi virtual, os valores inseridos nas Etapas 11 a 14 serão aplicados a todos os membros do chassi virtual.
 11. Na página Basic Settings, digite o nome do host, digite e redigite uma senha, especifique o fuso horário e sincronize as configurações de data e hora do switch com o PC ou notebook de gerenciamento, ou faça a definição manual e clique em **Next**.
 12. Na página Management Options selecione **Out-of-band Management—Configure management port** para configurar a interface de gerenciamento, e clique em **Next**.
 13. Especifique o endereço IP e o gateway padrão da interface de gerenciamento.
 14. Clique em **Next**. A página Manage Access fornece opções para ativar os serviços Telnet, SSH e SNMP. Para o SNMP, você pode configurar a comunidade, local e contato de leitura.
 15. Clique em **Next**. A página Summary exibe as configurações selecionadas.
 16. Clique em **Finish**. A configuração é confirmada como a configuração ativa do switch.
 - NOTA:** se a conectividade entre o PC ou notebook de gerenciamento e o switch for interrompida, para reconectar digite os comandos apropriados no PC ou no notebook para liberar e renovar o endereço IP — ou remova e reinsira o cabo Ethernet.
 17. Somente para a operação independente, faça o login na interface de linha de comando (command-line interface - CLI) e defina o modo para intraconexão:


```
user@switch> request chassis pic-mode intraconnect
```

Somente para operação independente, verifique se a luz LED verde ST (status) no módulo do chassi virtual está acesa e constante e se o VC MODE LED está apagado.

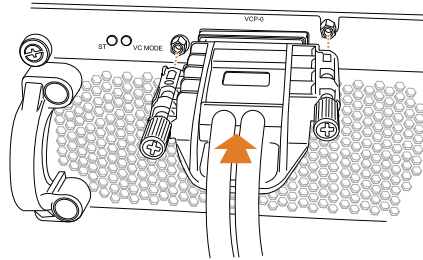


18. Observe o LED âmbar de alarme à direita do painel LCD. Um alarme LED âmbar aceso (menor) é normal. Ele indica que não há nenhuma configuração de salvamento definida no switch. Para salvar a configuração atual como uma configuração de salvamento para a qual voltar com o comando rollback, faça o login na CLI e digite


```
user@switch> request system configuration rescue save
```

Parte 7: criação de um chassi virtual J-EX4500 com dois switches J-EX4500

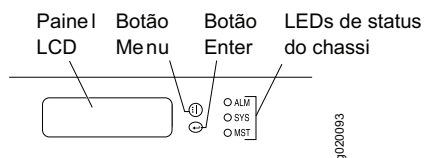
1. Verifique se os dois switches J-EX4500 estão executando a mesma versão do sistema operacional Junos (Junos OS).
2. Com um cabo do chassi virtual e um retentor de conector do cabo, interconecte os switches J-EX4500 usando uma porta dedicada do chassi virtual (VCP), situado na parte de trás de cada switch.



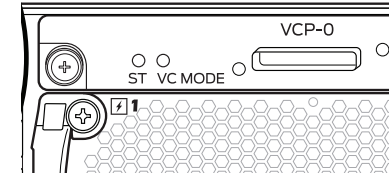
3. Anote os números de série dos switches a serem conectados no chassi virtual, e selecione um switch mestre que deve ser ligado e configurado primeiro.
4. **Somente no switch mestre**, conecte na energia e execute a configuração inicial. Veja a Parte 6 na página 3.
5. (Opcional) No switch mestre, entre no modo de configuração e configure a interface de gerenciamento virtual de Ethernet (VME) para o gerenciamento out-of-band do chassi virtual:


```
user@switch> configure
user@switch# set interfaces vme unit 0 family inet address ip-address
```
6. No switch mestre, especifique o modo de configuração pré-provisionado, atribua aos dois switches a função do **routing-engine** e confirme a configuração.


```
user@switch# edit virtual-chassis
user@switch# set preprovisioned
user@switch# set member 0 serial-number serial-number role routing-engine
user@switch# set member 1 serial-number serial-number role routing-engine
user@switch# commit
```
7. Ligue o switch J-EX4500 — não é necessária nenhuma configuração inicial. Verifique se o LED de cada fonte de energia está com uma luz verde acesa e constante, indicando uma operação normal.
8. No switch mestre, verifique se a luz LED verde MST (mestre) à direita do painel LCD está acesa e constante.



9. Verifique nos dois switches do chassi virtual, se os LED verde ST (status) e VC MODE LED no módulo do chassi virtual estão acesos e constantes.



Parte 8: criação de um chassi virtual misto J-EX4200 e J-EX4500

ALERTA: não faça a conexão física de vários switches em um chassi virtual sem ter lido as respectivas instruções.

O switch pode ser parte de uma configuração de chassi virtual de até oito switches J-EX4200 e um outro switch J-EX4500. Um switch J-EX4500 deve ser o mestre.

Estas instruções mostram como configurar os switches J-EX4500 e dois switched J-EX4200 — nenhum deles faz parte do chassi virtual atual — em uma configuração *pré-provisionada*. Recomendamos firmemente fazer o pré-provisionamento de um chassi virtual.

1. Verifique se os dois switches J-EX4200 do chassi virtual misto foram configurados. Para mais instruções, leia a documentação do Dell PowerConnect J-EX4200 em <http://www.support.dell.com/manuals>.
2. Verifique se os switches J-EX4200 e os J-EX4500 que estão conectados no chassi virtual misto estão todos executando a mesma versão do Junos OS.
3. Anote os números de série dos switches a serem conectados no chassi virtual, e selecione um switch J-EX4500 para ser o mestre.
4. Ligue primeiro o switch mestre J-EX4500, e em seguida o outro switch mestre J-EX4500. Para informações sobre um switch ainda não configurado, vá para Parte 6 na página 3.
5. Defina os dois switches J-EX4500 para o modo de chassi virtual, e reinicie cada switch:


```
user@switch> request virtual-chassis mode mixed
user@switch> request system reboot
```
6. Ligue os dois switches membros do chassi virtual J-EX4200.
7. Defina os dois switches J-EX4200 para o modo chassi virtual misto, e reinicialize cada switch:


```
user@switch> request virtual-chassis mode mixed
user@switch> request system reboot
```
8. (Opcional) Volte para o switch mestre, entre no modo de configuração, e configure a interface de gerenciamento virtual de Ethernet (VME) para gerenciamento out-of-band do chassi virtual:


```
user@switch> configure
user@switch# set interfaces vme unit 0 family inet address ip-address
```

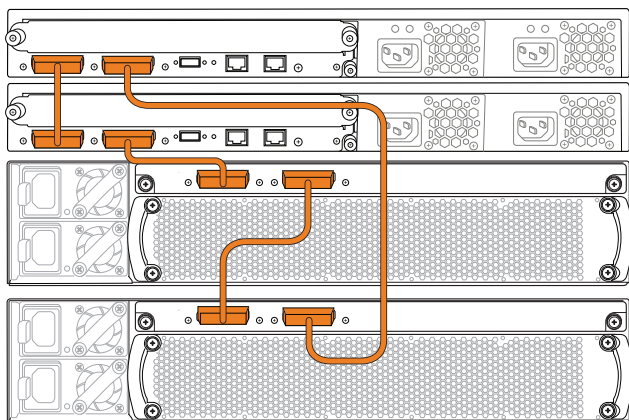
9. No switch mestre, especifique o modo de configuração pré-provisionado, e atribua aos dois membros J-EX4500 (incluindo o mestre) a função de **routing-engine**:

```
user@switch# edit virtual-chassis
user@switch# set preprovisioned
user@switch# set member member-id-1 serial-number
serial-number-1 role routing-engine
user@switch# set member member-id-2 serial-number
serial-number-2 role routing-engine
```

10. No switch mestre, continue a fazer o pré-provisionamento atribuindo aos dois membros J-EX4200 a função de **linecard**, e confirme a configuração:

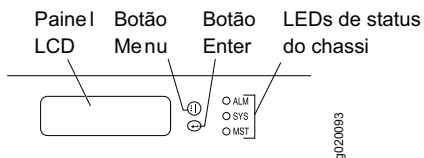
```
user@switch# set member member-id-3 serial-number
serial-number-3 role linecard
user@switch# set member member-id-4 serial-number
serial-number-4 role linecard
user@switch# commit
```

11. Com quatro cabos do chassi virtual e retentores de conector do cabo, interconecte os quatro switches usando as VCPs dedicadas na parte de trás de cada switch.

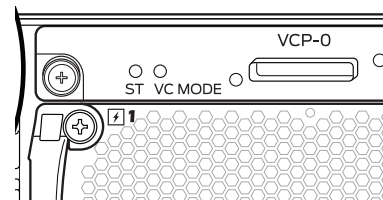


12. No switch mestre:

- Verifique se a luz LED verde MST (mestre) à direita do painel LCD está acesa e constante.



- Verifique se os LED verde ST (status) e VC MODE LED no módulo do chassi virtuais estão acesos e constantes.



13. No outro switch membro do J-EX4500, verifique se o LED verde MST está piscando e se os LED verde ST e VC MODE LED estão acesos e constantes.

14. Nas duas placas de linha membros do J-EX4200, verifique se o LED MST à direita do painel LCD está apagado.

Resumo dos avisos de segurança

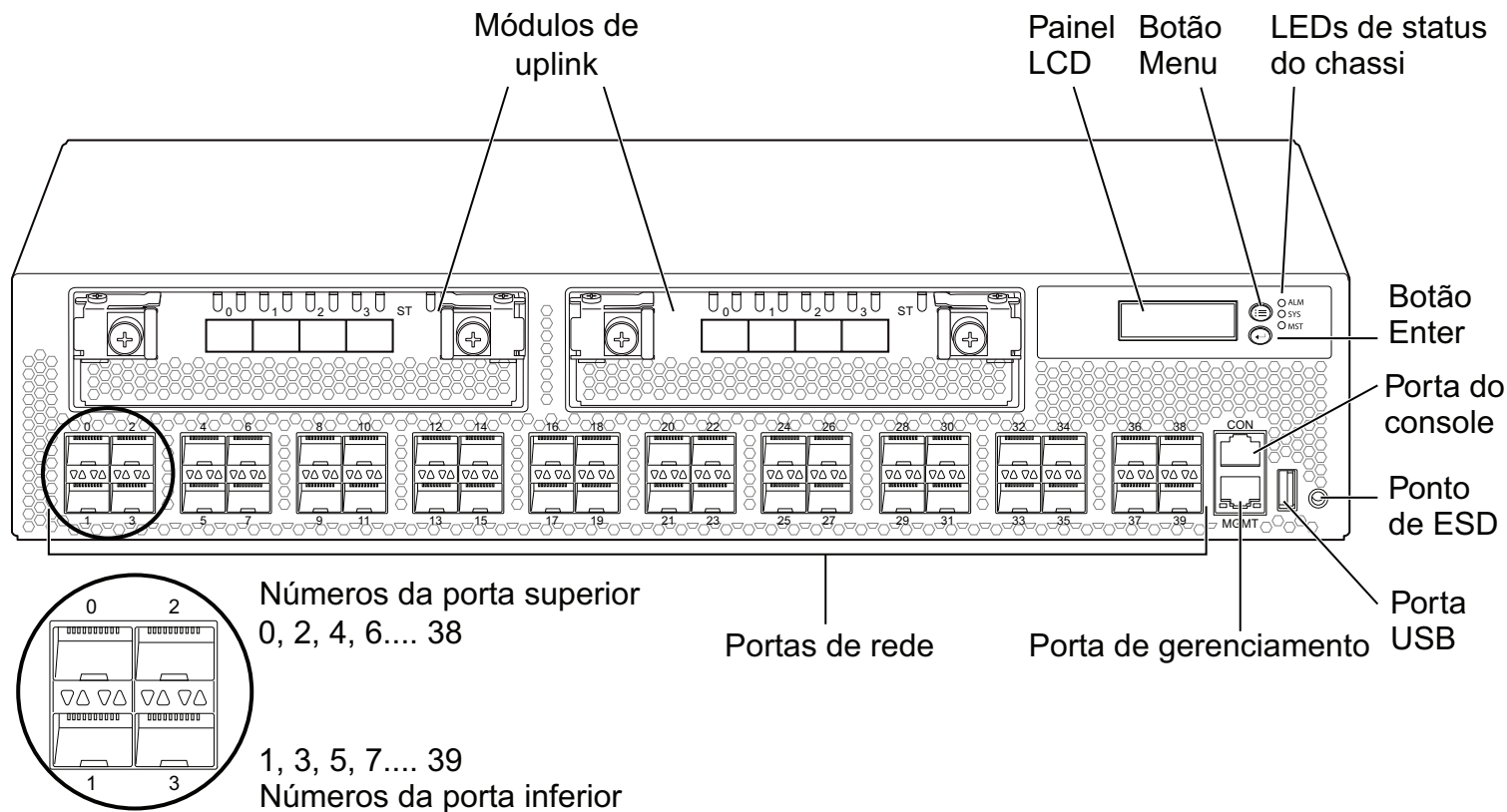
Estes avisos de segurança estão resumidos. Para uma relação completa de avisos, incluindo traduções para outros idiomas, consulte a documentação do switch Dell PowerConnect J-EX4500 em <http://www.support.dell.com/manuals>.

⚠️ ADVERTÊNCIA: o não cumprimento destas advertências de segurança pode causar lesão corporal ou morte.

- Somente pessoal treinado e habilitado deve ter permissão para instalar ou repor os componentes do switch.
- Execute somente os procedimentos descritos neste guia de início rápido e na documentação do switch J-EX4500. Somente pessoal de manutenção autorizado deve executar outros serviços.
- Antes de instalar o switch, leia as instruções de planejamento na documentação do switch J-EX4500, e confira se as condições de energia, ambiente e espaço livre do local são adequadas para o switch.
- Antes de conectar o switch a uma fonte de energia, leia as instruções de instalação na documentação do switch J-EX4500.
- Um switch J-EX4500 com uma fonte de energia pesa 37 lb (17 kg). Com duas fontes de energia, o switch pesa 40 lb (18 kg). Para a instalação manual do switch em um rack é preciso que uma pessoa erga o switch e outra instale os parafusos de montagem. Para evitar lesões, ao erguer o dispositivo mantenha sua coluna vertebral ereta e faça força com as pernas e não com a coluna.
- Se houver dispositivos estabilizadores no rack, instale-os antes de montar ou fazer a manutenção do switch no rack.
- Antes de instalar ou após remover um componente elétrico, mantenha sempre o lado do componente voltado para cima sobre uma superfície plana antiestática ou em uma embalagem eletrostática.
- Não trabalhe com o switch nem conecte ou desconecte cabos durante tempestades elétricas.
- Antes de trabalhar com equipamentos conectados a linhas de transmissão de energia, remova todas as joias, inclusive anéis, colares e relógios. Objetos metálicos se aquecem quando energizados e ligados a malha de aterramento, podendo provocar queimaduras graves ou ficar soldados nos terminais.

Como contatar a Dell Inc.

Para suporte técnico, acesse <http://www.support.dell.com>.



9021071

As informações deste documento estão sujeitas a alteração sem aviso prévio. Marcas comerciais usadas neste texto: Dell™, o logotipo DELL™ e PowerConnect™ são marcas comerciais da Dell Inc. Juniper Networks® e Junos® são marcas registradas da Juniper Networks, Inc. nos Estados Unidos e em outros países. As demais marcas comerciais, marcas de serviço, marcas comerciais registradas ou marcas de serviço registradas são de propriedade de seus respectivos titulares. A Juniper Networks não se responsabiliza por eventuais incorreções deste documento. A Juniper Networks reserva-se o direito de alterar, modificar, transferir ou de outra forma revisar esta publicação sem aviso prévio. Os produtos fabricados ou vendidos pela Juniper Networks ou componentes desses produtos podem estar cobertos por uma ou mais das seguintes patentes de propriedade da Juniper Networks: Números das patentes dos EUA 5,473,599, 5,905,725, 5,909,440, 6,192,051, 6,333,650, 6,359,479, 6,406,312, 6,429,706, 6,459,579, 6,493,347, 6,538,518, 6,538,899, 6,552,918, 6,567,902, 6,578,186 e 6,590,785.

Copyright © 2011, Juniper Networks, Inc. Todos os direitos reservados. É expressamente proibido qualquer tipo de reprodução destes materiais sem a autorização escrita da Juniper Networks.

Número de peça da Juniper Networks: 530-038616-PT-BR. Revisão 01, 30 de abril de 2011.



Inicio rápido del conmutador de Ethernet PowerConnect J-EX4500 de la serie J de Dell

Para instalar y configurar un conmutador de Ethernet PowerConnect J-EX4500 de la serie J de Dell (*Número de modelo normativo EX4500*) en un bastidor o gabinete de 2 postes de 19 pulgadas, usted necesita:

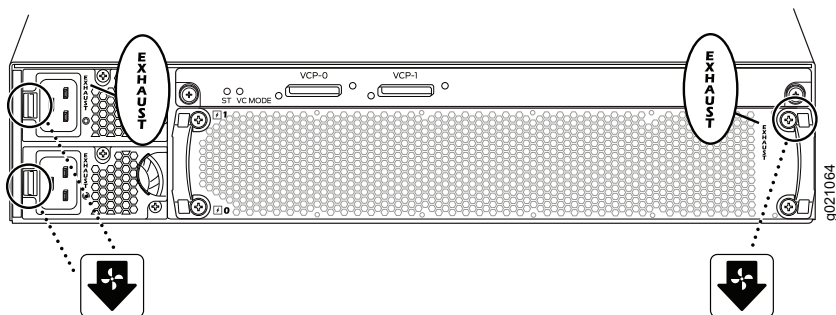
- Dos soportes de montaje y 20 tornillos de montaje (proporcionados)
- Un destornillador Phillips (+), número 2
- 8 tornillos de montaje en bastidor (y 8 tuercas enjauladas y arandelas si el bastidor lo requiere) del tamaño y tipo adecuados para fijar el chasis al bastidor o gabinete (proporcionados)
- Un destornillador de punta plana (-) si va a instalar el conmutador en un bastidor con agujeros cuadrados no roscados
- Un cable de alimentación y una retención para el cable para cada fuente de alimentación (proporcionado)
- Uno o más cables de chasis virtual y retenciones de conectores de cables para la conexión de un chasis virtual
- Un cable de conexión a tierra (14 AWG [2 mm²], cable de 90 °C como mínimo) con un terminal de tierra adecuado instalado por un electricista autorizado, para puntos de conexión a 0,625 pulg. (15,86 mm) de distancia
- Dos tornillos de 10-32 x 1/4 pulg. con arandelas divididas para fijar el terminal de tierra al conmutador
- Un cable Ethernet con un conector RJ-45 incorporado (proporcionado)
- Un anfitrión de administración con un puerto Ethernet, como un ordenador u ordenador portátil

NOTA: Para ver la instalación del bastidor de cuatro postes o en gabinete y otras informaciones, consulte la documentación sobre el conmutador PowerConnect J-EX4500 de Dell en <http://www.support.dell.com/manuals>.

Parte 1: Instale una fuente de alimentación en el conmutador (si no está instalada)

1. Asegúrese de tener la fuente de alimentación correcta:
 - Verifique que la palanca de eyección y las flechas de las asas de la bandeja de ventiladores en la parte posterior del conmutador apunten todas en la misma dirección.
 - Verifique que las etiquetas de la fuente de alimentación y de la bandeja de ventiladores coincidan: todas deben decir EXHAUST o INTAKE.

PRECAUCIÓN: Hacer funcionar el conmutador con una fuente de alimentación incorrecta podría causar que este se sobrecaliente.



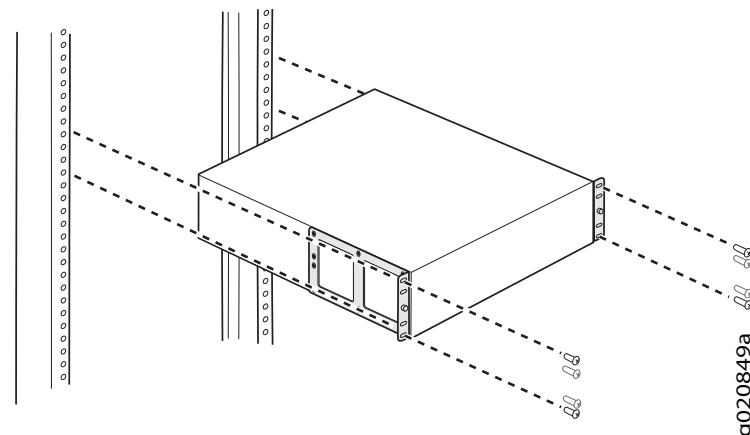
2. Retire la fuente de alimentación de la bolsa y tenga cuidado de no tocar sus clavijas, conductores o conexiones de soldadura.

3. Con ambas manos, coloque la fuente de alimentación en la ranura de la fuente de alimentación que está en el panel posterior del conmutador y deslícela hacia dentro hasta que esté completamente asentada.
4. Repita estos pasos para una segunda fuente de alimentación, si fuese necesario.

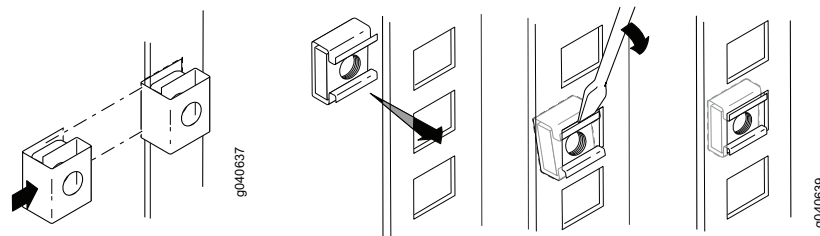
Parte 2: Instale el conmutador

NOTA: Un conmutador puede pesar hasta 18 kg, según los componentes que tenga instalados. La instalación requiere una persona para levantar el conmutador y una segunda persona para fijarlo al bastidor.

1. Coloque el bastidor en su ubicación permanente, deje espacio suficiente para el flujo de aire y el mantenimiento, y fíjelo a la estructura del edificio.
2. Si el lugar tiene requisitos de frío y calor en los pasillos, revise las etiquetas en la parte posterior del conmutador para determinar si debe realizar el montaje delantero o posterior del chasis:
 - EXHAUST: El aire caliente sale de la bandeja de ventiladores y de las fuentes de alimentación (flujo de aire de adelante hacia atrás).
 - INTAKE: El aire caliente sale de la parte delantera del chasis (flujo de aire de atrás hacia adelante).
3. Determine la ubicación en el bastidor en el cual desea montar el conmutador.

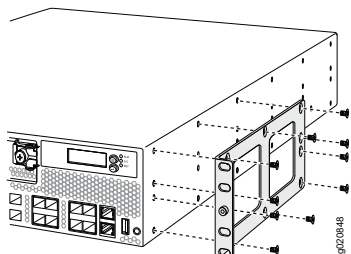


4. Si el bastidor requiere tuercas enjauladas, instale una tuerca enjaulada redonda (sujetador) o enjaulada cuadrada, y una arandela, en 4 orificios con separaciones adecuadas en el mismo nivel en cada poste del bastidor.

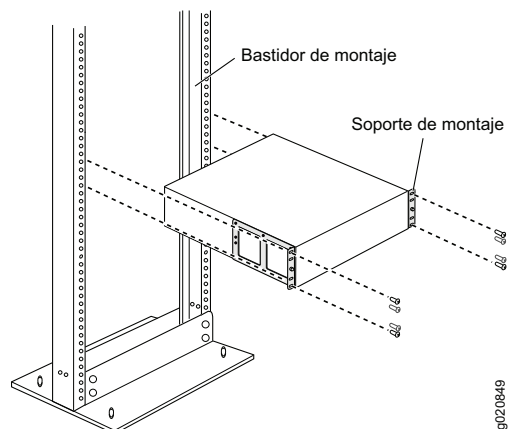


Inicio rápido del conmutador de Ethernet PowerConnect J-EX4500 de la serie J de Dell - Página 2

- Coloque el conmutador en una superficie plana y estable.
- Alinee los soportes de montaje por la parte delantera o posterior de los paneles laterales del chasis, según realice el montaje del conmutador por la parte delantera o posterior.
- Conecte los soportes de montaje al chasis con los tornillos de montaje.



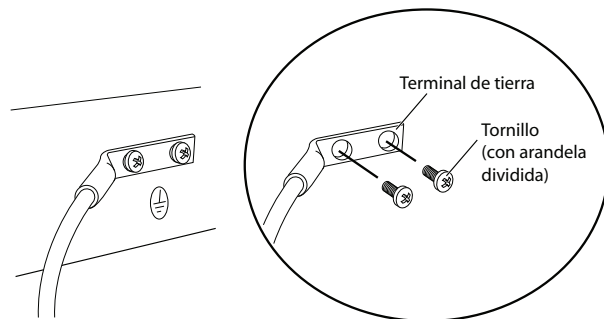
- Pídale a alguien que sujete ambos lados del conmutador para levantarlo y colocarlo en el bastidor, alineando los agujeros del soporte de montaje con los agujeros de los postes del bastidor, de manera que el agujero inferior de cada soporte se alinee con un agujero en el mismo nivel de cada poste del bastidor.



- Pídale a otra persona que instale un tornillo de montaje de bastidor en cada orificio para asegurar el conmutador al bastidor.
- Luego de asegurar que el chasis esté nivelado, apriete los tornillos.

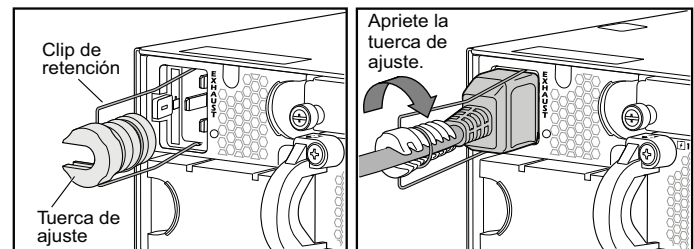
Parte 3: Conecte el conmutador a una conexión a tierra

- Conecte un extremo del cable de conexión a tierra a una conexión a tierra adecuada, como el bastidor en el que se encuentra montado el conmutador.
- Coloque el terminal de tierra conectado en el cable de conexión a tierra sobre el terminal de conexión a tierra protector en el lado izquierdo del chasis (hacia la parte posterior) y fije el terminal de conexión al terminal apretando los tornillos y las arandelas.



Parte 4: Conecte el cable de alimentación a la fuente de alimentación

- Apriete los dos lados del clip de retención del cable de alimentación e inserte los extremos en forma de L del clip de alambre en los agujeros del soporte a cada lado de la entrada del dispositivo de CA.



- Inserte el extremo del acoplador del cable de alimentación en la entrada del dispositivo de CA.
- Presione el clip de retención hacia el cable hasta que el cable se deslice a la ranura en la tuerca de ajuste.
- Gire la tuerca hasta que se encuentre firme contra la base del acoplador y la ranura de la tuerca haya girado 90° desde la parte superior del conmutador.
- Si la salida de la fuente de alimentación de CA tiene un conmutador de alimentación, ajústelo en la posición de apagado (0).
- Repita estos pasos para una segunda fuente de alimentación, si fuese necesario.

NOTA: No encienda el conmutador en este momento. Eso lo hará durante la configuración inicial. El momento del encendido es una parte particularmente importante de la configuración del chasis virtual ya que el orden de encendido ayuda a determinar la función de maestro.

Parte 5: Determine cómo hará funcionar su conmutador J-EX4500

- Independiente:** Para hacer funcionar su conmutador J-EX4500 de forma independiente, vaya a la Parte 6 en la página 3 para conectar la alimentación y realizar la configuración inicial.
- Chasis virtual J-EX4500:** Para crear un chasis virtual con otro conmutador J-EX4500, vaya a la Parte 7 en la página 4.
- Chasis virtual mixto:** Para crear un chasis virtual con hasta ocho conmutadores J-EX4200 y hasta un conmutador J-EX4500, vaya a la Parte 8 en la página 4.

PRECAUCIÓN: A pesar de que los conmutadores J-EX4500 se envían con el módulo de chasis virtual instalado, el funcionamiento del chasis virtual requiere una preparación adicionalmente a la conexión de las piezas metálicas. No conecte físicamente múltiples conmutadores en un chasis virtual antes de leer las instrucciones apropiadas.

También puede agregar el conmutador J-EX4500 a un chasis virtual J-EX4200 o chasis virtuales mixtos J-EX4200 y J-EX4500. Para obtener instrucciones, consulte los documentos de PowerConnect de la serie J-EX de Dell en <http://www.support.dell.com/manuals>

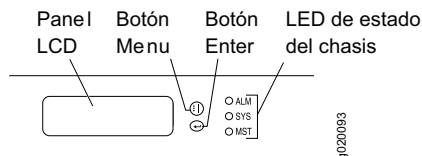
NOTA: Puede configurar y administrar un conmutador J-EX4500 independiente con la interfaz J-Web, pero esta no admite la configuración y la administración de un chasis virtual J-EX4500 o un chasis virtual mixto.

Parte 6: Encienda el conmutador y realice la configuración inicial

NOTA: Si el conmutador formará parte de un chasis virtual J-EX4500, primero vaya a la Parte 7 en la página 4. Para un chasis virtual *mixto*, primero vaya a la Parte 8 en la página 4.

Lea los siguientes pasos antes de comenzar con la configuración:

1. Inserte el conector del cable de alimentación en la salida de la fuente de alimentación en el conmutador.
2. Si la salida de la fuente de alimentación de CA tiene un conmutador de alimentación, ajústelo en la posición de encendido (I).
3. Verifique que el LED en cada fuente de alimentación brille en un verde estable para un funcionamiento normal.
4. Active un cliente DHCP en el ordenador u ordenador portátil de administración que conectará al conmutador, de manera que el dispositivo de administración pueda obtener una dirección IP dinámicamente.
5. Familiarícese con el panel LCD, los botones Menu y Enter, y los LED de estado.



El panel LCD muestra un temporizador en cuenta regresiva cuando el conmutador se encuentra en el modo de configuración inicial. Debe completar la configuración inicial usando EZSetup dentro de 10 minutos. Luego de 10 minutos, el conmutador sale de EZSetup y vuelve a la configuración predeterminada, y el ordenador u ordenador portátil pierde la conectividad con el conmutador.

6. Recupere la configuración inicial del conmutador:
 - Presione el botón Menu hasta que vea MAINTENANCE MENU. Luego presione el botón Enter.
 - Presione el botón Menu hasta que vea EZSetup. Luego presione el botón Enter. Si no aparece EZSetup como una opción del menú, seleccione **Factory Default** para que el conmutador vuelva a la configuración predeterminada de fábrica. Sólo se muestra EZSetup en el menú cuando el conmutador se encuentra ajustado en la configuración predeterminada de fábrica.
 - Presione el botón Enter para confirmar la configuración y continuar con EZSetup.
7. Conecte el cable de Ethernet desde el puerto Ethernet del ordenador u ordenador portátil al puerto MGMT (me0) del panel frontal del conmutador.

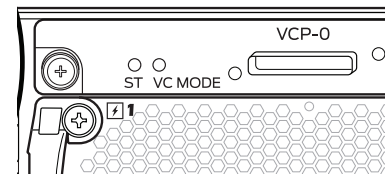
La interfaz me0 (el puerto etiquetado MGMT) se encuentra configurado según el servidor DHCP con la dirección IP predeterminada 192.168.1.1. El conmutador puede asignar una dirección IP al ordenador u ordenador portátil de administración en el rango desde 192.168.1.2 hasta 192.168.1.253.

8. En el ordenador u ordenador portátil, abra un explorador Web, escriba <http://192.168.1.1> en el campo de dirección y presione la tecla Enter.
9. En la página J-Web Login, ingrese root como nombre de usuario, deje el campo de la contraseña en blanco y haga clic en **Login**.
10. En la página Introduction, haga clic en **Next**.

NOTA: Si está configurando un conmutador maestro de chasis virtual, los valores que indique en los pasos 11 al 14 se aplican a todos los miembros del chasis virtual.

11. En la página Basic Settings, ingrese el nombre de anfitrión, una contraseña y confírmela, especifique el huso horario, y sincronice los ajustes de fecha y hora del conmutador con el ordenador u ordenador portátil de administración o ajústelos manualmente y haga clic en **Next**.
 12. En la página Management Options seleccione **Out-of-band Management—Configure Management Port** para configurar la interfaz de administración y haga clic en **Next**.
 13. Especifique la dirección IP y la puerta de enlace predeterminada para la interfaz de administración.
 14. Haga clic en **Next**. En la página Manage Access, puede seleccionar opciones para activar los servicios Telnet, SSH y SNMP. Para SNMP, puede configurar la comunidad de lectura, la ubicación y el contacto.
 15. Haga clic en **Next**. La página Summary muestra los ajustes que ha seleccionado.
 16. Haga clic en **Finish**. Se confirma la configuración como la configuración de conmutador activo.
- NOTA:** Si la conectividad entre el ordenador u ordenador portátil y el conmutador, vuelva a conectarlo ingresando los comandos adecuados en el ordenador u ordenador portátil para liberar y renovar la dirección IP—o quitando el cable Ethernet y volviéndolo a instalar.

17. *Sólo para el funcionamiento independiente*, inicie sesión en la interfaz de la línea de comandos (CLI) y configure el modo para conectar internamente:
`user@switch> request chassis pic-mode intraconnect`
Sólo para el funcionamiento independiente, verifique que el LED ST (estado) verde en el módulo de chasis virtual se enciende fijo y que el LED VC MODE esté apagado.

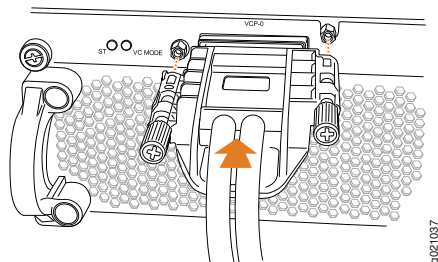


18. Fíjese en el LED de alarma de color ámbar a la derecha del panel LCD. Es normal que haya un LED de alarma ámbar (menor) encendido. Indica que el conmutador no tiene una configuración de rescate establecida. Para guardar la configuración actual como configuración de rescate a la que puede volver con el comando rollback, inicie sesión en la CLI y presione Enter

`user@switch> request system configuration rescue save`

Parte 7: Cree un chasis virtual J-EX4500 con dos conmutadores J-EX4500

1. Verifique que ambos conmutadores J-EX4500 estén usando la misma versión del sistema operativo Junos (Junos OS).
2. Con un cable de chasis virtual y una retención de conector de cables, interconecte los conmutadores J-EX4500 usando un puerto de chasis virtual dedicado (VCP) en la parte posterior de cada conmutador.



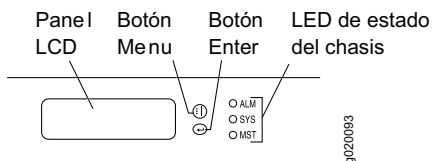
3. Anote los números de serie de los conmutadores que se conectarán en el chasis virtual y seleccione un conmutador maestro para encenderlo y configurarlo primero.
4. **Sólo en el conmutador maestro**, conecte la alimentación y realice la configuración inicial. Consulte la Parte 6 en la página 3.
5. (Opcional) Acceda al modo de configuración en el conmutador maestro y configure la interfaz de Ethernet de administración virtual (VME) para la administración del chasis virtual fuera de la banda:

```
user@switch> configure
user@switch# set interfaces vme unit 0 family inet address
ip-address
```

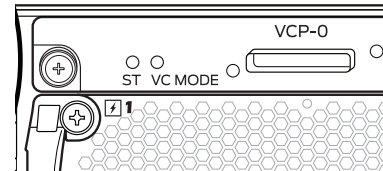
6. En el conmutador maestro, especifique el modo de configuración proporcionado previamente, asigne el rol de **routing-engine** a ambos conmutadores y ejecute la configuración:

```
user@switch# edit virtual-chassis
user@switch# set preprovisioned
user@switch# set member 0 serial-number serial-number role
routing-engine
user@switch# set member 1 serial-number serial-number role
routing-engine
user@switch# commit
```

7. Encienda el otro conmutador J-EX4500, que no necesita configuración inicial, y verifique que los LED de cada fuente de alimentación se enciendan en color verde fijo para un funcionamiento normal.
8. En el conmutador maestro, verifique que el LED MST (maestro) a la derecha del panel LCD esté encendido de manera estable.



9. En ambos conmutadores en el chasis virtual, verifique que los LED ST (estado) y VC MODE verdes del módulo de chasis virtual estén encendidos fijos.



Parte 8. Cree un chasis virtual mixto J-EX4200 y J-EX4500

PRECAUCIÓN: No conecte físicamente múltiples conmutadores en un chasis virtual antes de leer estas instrucciones.

Su conmutador puede ser parte de una configuración de chasis virtual de hasta ocho conmutadores J-EX4200 y un conmutador J-EX4500. El conmutador maestro debe ser un J-EX4500.

Estas instrucciones le muestran como configurar dos conmutadores J-EX4500 y dos conmutadores J-EX4200, que no son miembros actuales de un chasis virtual, en una configuración *proporcionada previamente*. Recomendamos encarecidamente tener provisiones previas para un chasis virtual mixto.

1. Compruebe que ambos conmutadores J-EX4200 para el chasis virtual mixto han sido configurados inicialmente. Consulte los documentos del conmutador PowerConnect J-EX4200 de Dell en <http://www.support.dell.com/manuals>.
2. Verifique que los conmutadores J-EX4200 y J-EX4500 que se conectarán al chasis virtual mixto estén usando la misma versión de Junos OS.
3. Anote los números de serie de los conmutadores que se conectarán en el chasis virtual y seleccione un conmutador J-EX4500 para que sea el conmutador maestro.
4. Encienda primero el conmutador J-EX4500 maestro y luego el otro conmutador J-EX4500 miembro. Para los conmutadores que no hayan sido configurados anteriormente, consulte la Parte 6 en la página 3.
5. Configure ambos conmutadores J-EX4500 en el modo de chasis virtual mixto y reinícielos:


```
user@switch> request virtual-chassis mode mixed
user@switch> request system reboot
```
6. Encienda ambos conmutadores J-EX4200 que son miembros del chasis virtual.
7. Configure ambos conmutadores J-EX4200 en el modo de chasis virtual mixto y reinícielos:


```
user@switch> request virtual-chassis mode mixed
user@switch> request system reboot
```
8. (Opcional) Vuelva a iniciar sesión en el conmutador maestro y configure la interfaz de Ethernet de administración virtual (VME) para la administración del chasis virtual fuera de la banda:


```
user@switch> configure
user@switch# set interfaces vme unit 0 family inet address
ip-address
```

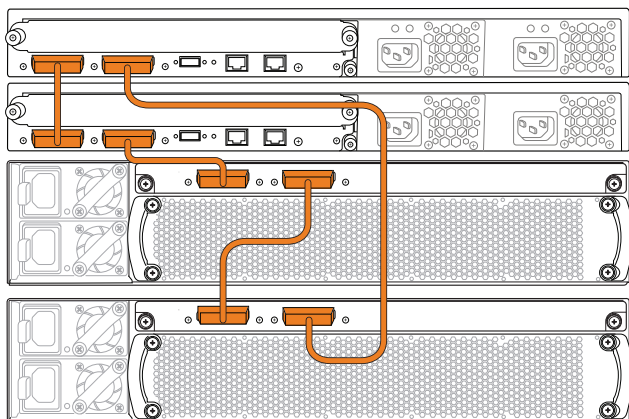
9. En el conmutador maestro, especifique el modo de configuración proporcionado previamente y asigne el rol de **routing-engine** a ambos J-EX4500 miembros (incluyendo el maestro):

```
user@switch# edit virtual-chassis
user@switch# set preprovisioned
user@switch# set member member-id-1 serial-number
serial-number-1 role routing-engine
user@switch# set member member-id-2 serial-number
serial-number-2 role routing-engine
```

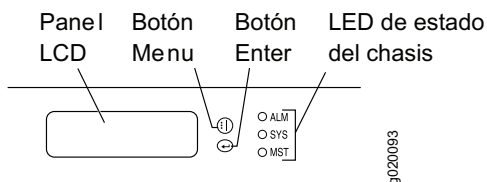
10. En el conmutador maestro, continúe manteniendo provisiones asignando el rol de **linecard** a ambos J-EX4200 miembros y luego ejecute la configuración:

```
user@switch# set member member-id-3 serial-number
serial-number-3 role linecard
user@switch# set member member-id-4 serial-number
serial-number-4 role linecard
user@switch# commit
```

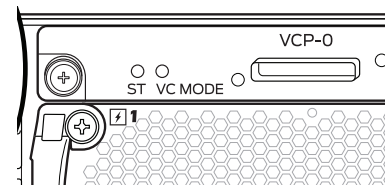
11. Interconecte los cuatro conmutadores con cuatro cables de chasis virtual y cuatro retenciones de conectores de cable usando los VCP dedicados en la parte posterior de cada conmutador.



12. En el conmutador maestro:
- Verifique que el LED MST (maestro) a la derecha del panel LCD esté encendido de manera estable.



- Verifique que los LED ST (estado) y VC MODE verdes del módulo de chasis virtual estén encendidos fijos.



13. En el otro conmutador J-EX4500 miembro, verifique que el LED MST verde esté parpadeando y que los LED ST verdes y de VC MODE estén encendidos de forma estable.

14. Verifique que el LED MST de la derecha del panel LCD esté apagado en ambos J-EX4200 que son miembros de la tarjeta de línea.

Resumen de advertencias de seguridad

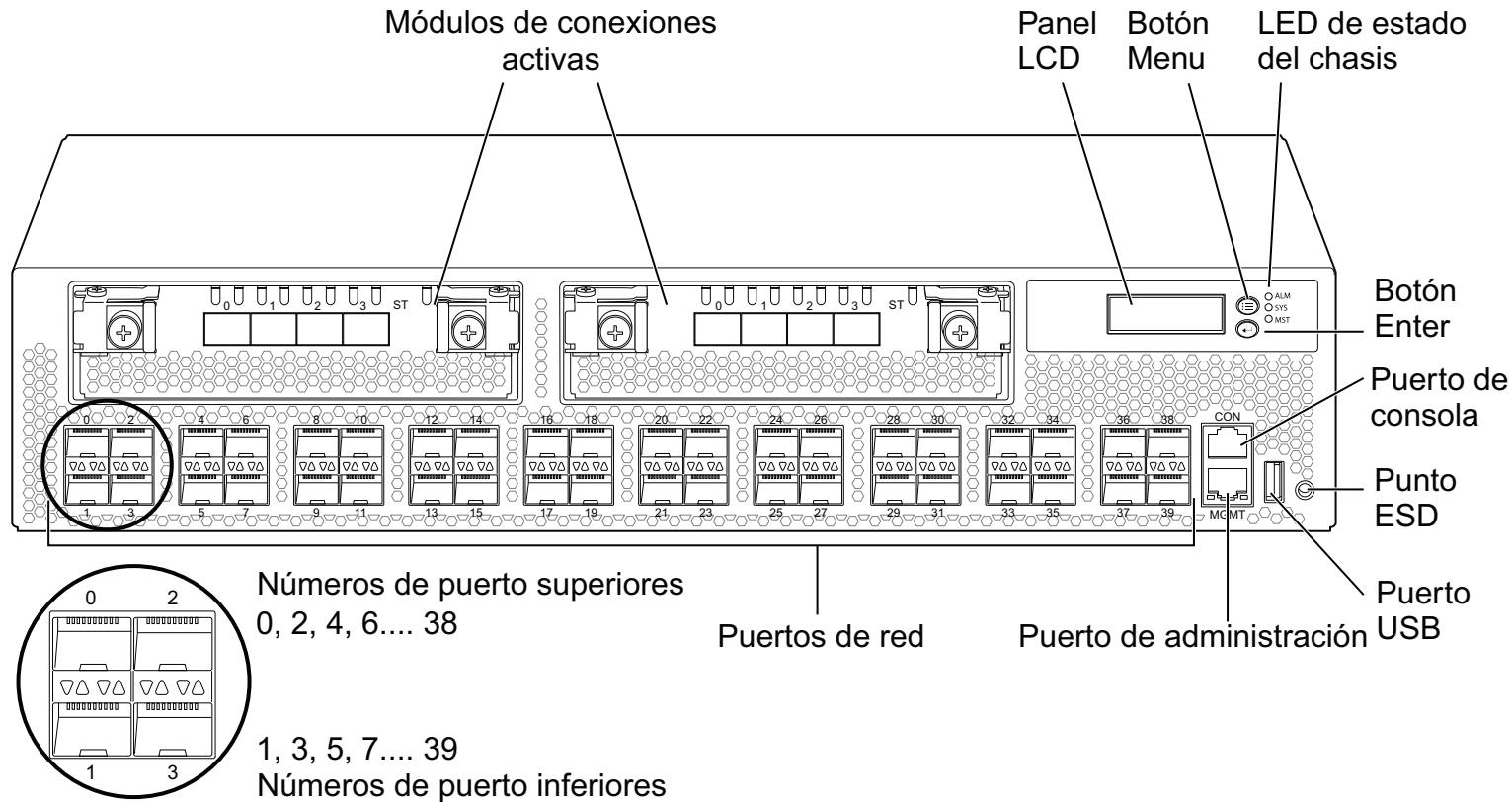
Éste es un resumen de las advertencias de seguridad. Para obtener una lista completa de advertencias, incluidas sus traducciones, consulte la documentación sobre el conmutador PowerConnect J-EX4500 de Dell en <http://www.support.dell.com/manuals>.

ADVERTENCIA: Si no sigue estas advertencias de seguridad, se pueden producir lesiones personales o la muerte.

- Permita que únicamente personal capacitado y calificado instale o reemplace los componentes del conmutador.
- Realice sólo los procedimientos que se describen en este inicio rápido y en la documentación del conmutador J-EX4500. Sólo personal de servicio autorizado debe realizar otros servicios.
- Antes de instalar el conmutador, lea las instrucciones de planificación en la documentación del conmutador J-EX4500 para asegurarse de que el lugar cumple los requisitos de alimentación, ambientales y de espacio para el conmutador.
- Antes de conectar el conmutador a una fuente de alimentación, lea las instrucciones de instalación en la documentación del conmutador J-EX4500.
- Un conmutador J-EX4500 con una fuente de alimentación pesa 17 kg. Con dos fuentes de alimentación, el conmutador pesa 18 kg. La instalación del conmutador en un bastidor requiere que una persona levante el conmutador y una segunda persona instale los tornillos de montaje. Para evitar lesiones, mantenga la espalda recta y levante con las piernas, no con la espalda.
- Si el bastidor tiene dispositivos estabilizadores, instálelos en el bastidor antes de montar o reparar el conmutador en el bastidor.
- Antes de instalar o después de retirar un componente eléctrico, colóquelo siempre hacia arriba en una superficie plana antiestática o en una bolsa electrostática.
- No trabaje en el conmutador ni conecte o desconecte los cables durante tormentas eléctricas.
- Antes de trabajar en el equipo que se encuentra conectado a las líneas de alimentación, quítese todas las joyas, como anillos, collares y relojes. Los objetos metálicos se calientan cuando se conectan a la alimentación y a tierra, y pueden ocasionar quemaduras graves o soldarse a los terminales.

Comuníquese con Dell Inc.

Para obtener acceso al servicio de asistencia técnica, visite <http://www.support.dell.com>.



9021071



Dell PowerConnect J-Series J-EX4500 Ethernet Anahtarı Hızlı Başlangıç

Bir Dell PowerConnect J-Series J-EX4500 Ethernet Anahtarını (*model denetim numarası EX4500*), iki kanatlı 19 inç rack veya kabine monte edip konfigüre etmek için aşağıdakilere ihtiyacınız vardır:

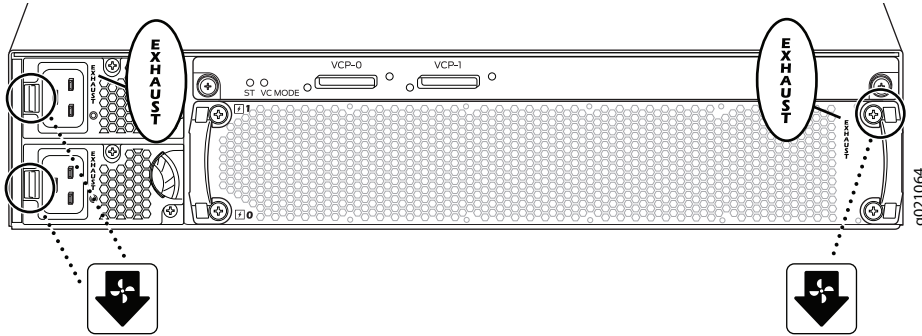
- İki montaj kelepçesi ve 20 montaj vidası (temin edilmiştir)
- Bir adet Phillips yıldız (+) tornavida, 2 numara
- Şasiyi rack veya kabininize sabitlemek için uygun ebat ve tipte 8 adet rack'e montaj vidası—ve rack'iniz için gerekiyorsa, 8 adet kafes somun ve rondela (temin edilmiştir)
- Anahtarı kare, yivsiz delikleri olan bir rack'e monte ediyorsanız, bir düz (-) tornavida
- Her bir güç kaynağı için birer jumper kablosu ve kablo tutucu (temin edilmiştir)
- Sanal Şasi bağlantısı için bir veya birden çok Sanal Şasi kablosu ve kablo konnektörü tutucusu
- Bir adet topraklama kablosu—14 AWG (2 mm²), minimum 90°C tel—uygun topraklama pabucu, ehliyetli bir elektrikçi tarafından topraklama noktaları için 0,625 inç (15,86 mm) aralıkla takılmış olmalıdır
- Topraklama pabucunu anahtara sabitlemek için iki adet 10-32 x 1/4 inçlik yaylı rondelalı vida
- RJ-45 konnektör takılı bir Ethernet kablosu (temin edilmiştir)
- Ethernet portu olan bir yönetim hostu, örneğin bir PC veya laptop

NOT: Dört kanatlı rack veya kabine montaj ve diğer bilgiler için <http://www.support.dell.com/manuals> adresindeki Dell PowerConnect J-EX4500 anahtar dokümanlarına bakın.

Bölüm 1: Anahtara Bir Güç Kaynağı Takın (Zaten Takılı Değilse)

1. Doğru güç kaynağını kullandığınızdan emin olun:
 - Çıkarma mandalının ve anahtarın arka kısmındaki fan tepsisi tutamaklarının oklarının hepsinin aynı yönü gösterdiğinden emin olun.
 - Güç kaynağı ve fan tepsisi etiketlerinin eşleştiğinden emin olun—hepsi EXHAUST veya INTAKE olmalıdır.

⚠ DİKKAT: Anahtarın yanlış güç kaynağı ile çalıştırılması anahtarın aşırı ısınmasına yol açabilir.



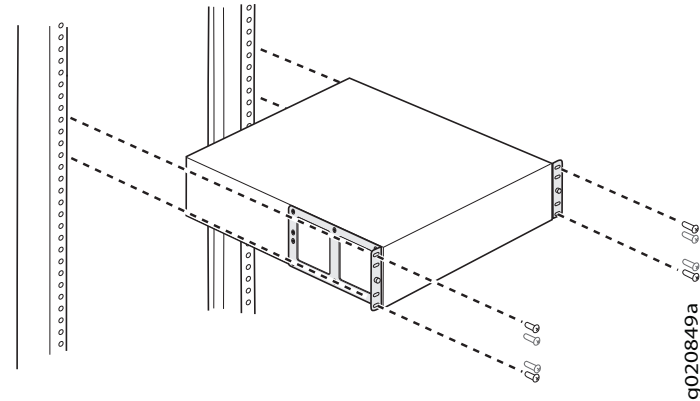
2. Güç kaynağının pinlerine, uçlarına veya lehim bağlantılarına dokunmamaya dikkat ederek güç kaynağını torbasından çıkarın.

3. Her iki elinizi kullanarak, güç kaynağını anahtarın arka panelindeki güç kaynağı yuvasına yerleştirin ve yerine tam olarak oturuncaya kadar içeri itin.
4. Gerekiyorsa, bu adımları ikinci bir güç kaynağı için tekrarlayın.

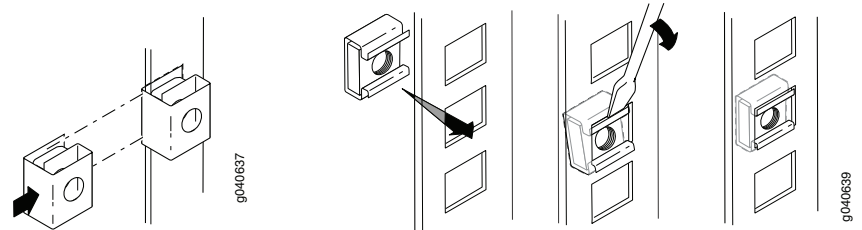
Bölüm 2: Anahtarı Monte Edin

NOT: Bir anahtarın ağırlığı, içine yerleştirilen komponentlere bağlı olarak 40 lb. (18 kg) kadar çıkabilir. Montaj için bir kişinin anahtarı tutup kaldırması, bir diğer kişinin ise anahtarı rack'e sabitlemesi gerekir.

1. Rack'i daimi olarak kalacağı yere, hava akımı ve bakım için yeterli açıklık bırakarak yerleştirin ve cihazı bina strüktürüne sabitleyin.
2. Eğer alanınızın sıcak-soğuk koridor gereksinimleri varsa, şasinin önden mi arkadan mı monte edileceğini belirlemek için anahtarın arkasındaki etiketleri kontrol edin.
 - EXHAUST—Sıcak hava, fan tepsisi ve güç kaynaklarından çıkar (önden arkaya hava akımı).
 - INTAKE—Sıcak hava, şasinin önünden çıkar (arkadan öne hava akımı).
3. Anahtarı monte etmek istediğiniz rack üzerindeki yeri belirleyin.

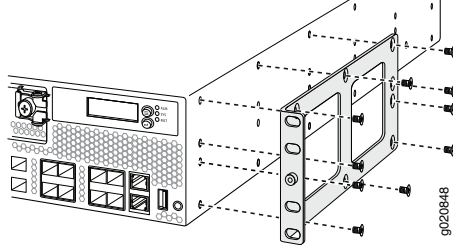


4. Rack'iniz için kafes somun gerekiyorsa, her rack kanadındaki aynı düzeyde 4 uygun aralıklı deliğe birer yuvarlak delikli kafes somun (klips somun) veya kare delikli kafes somun ve birer rondela yerleştirin.

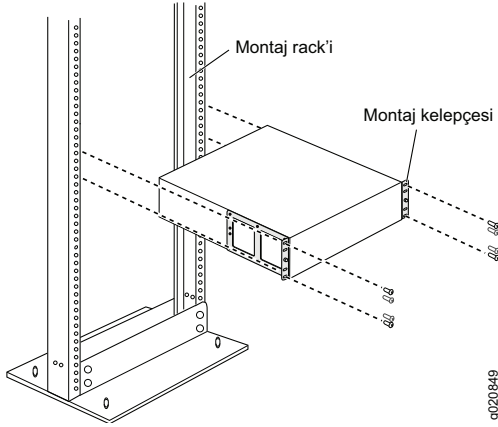


530-038616 REV 01

5. Anahtarı düz, sağlam bir zemin üzerine koyun.
6. Anahtarı önden veya arkadan monte etmenize bağlı olarak, şasi yan panellerinin ön veya arka kısmında yer alan montaj kelepçelerini hizalayın.
7. Montaj kelepçelerini anahtar şasisine montaj vidalarıyla vidalayın ve vidaları sıkın.



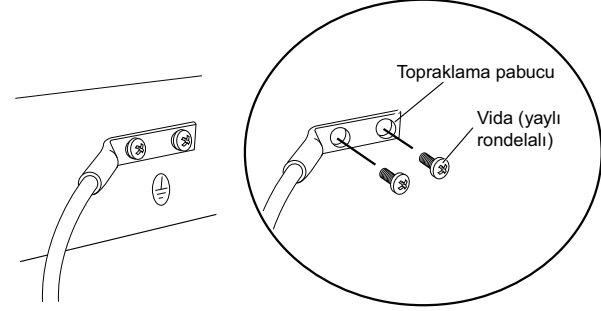
8. Bir kişinin, anahtarı iki yanından kavramasını, kaldırmasını ve her bir kelepçedeki en alt deliğin, her bir rack kanadındaki aynı düzeydeki bir deliğin tam karşısına gelmesini sağlayacak şekilde montaj kelepçesi deliklerini rack kanatlarındaki deliklerle bir hizaya getirerek rack içine yerleştirmesini sağlayın.



9. İkinci birinin, anahtarın rack'e sabitlenmesi için her bir deliğe birer rack'e montaj vidası yerleştirmesini sağlayın.
10. Şasinin düz durduğundan emin olduktan sonra vidaları sıkın.

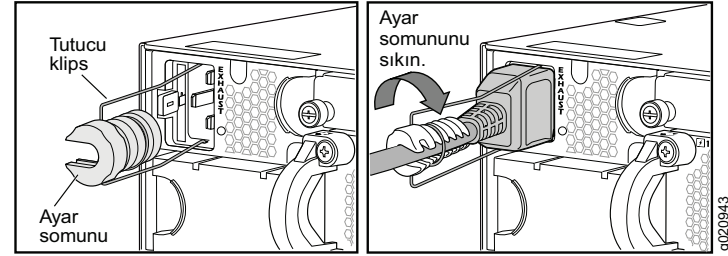
Bölüm 3: Anahtarı Toprak Hattına Bağlayın

1. Topraklama kablosunun bir ucunu uygun bir toprak hattına, örneğin anahtarın içine monte edildiği rack'e bağlayın.
2. Topraklama kablosuna eklenmiş olan topraklama pabucunu, şasinin sol tarafındaki (arkaya doğru) koruyucu topraklama terminali üzerine yerleştirin ve pabucu terminale, vidaları ve rondelaları sıkarak sabitleyin.



Bölüm 4: Jumper Kablosunu Güç Kaynağına Bağlayın

1. Jumper kablosu tutucu klipsini iki yanından sıkıştırın ve L şeklindeki tel klipsin uçlarını, AC cihaz prizinin her iki yanındaki kelepçedeki deliklere sokun.



2. Jumper kablosunun kuplör ucunu cihaz AC prizinin içine sokun.
3. Tutucu klipsi kabloya doğru, kablo ayar somunu içindeki yuvanın içine yerleşinceye kadar itin.
4. Somunu, somun kuplörün tabanına sıkıca oturana dek ve somun içindeki yuva, anahtarın tepesiyle 90° açı yapana kadar döndürün.
5. AC güç kaynağı prizinin bir güç anahtarı varsa, bu anahtarı OFF (0) konumuna getirin.
6. Gerekliyse, bu adımları ikinci bir güç kaynağı için tekrarlayın.

NOT: Bu aşamada anahtara güç vermeyin. Bu işlemi başlangıç konfigürasyonunun bir parçası olarak gerçekleştireceksiniz. Güç verme talimatı, ana anahtarın belirlenmesine (mastership) yardımcı olduğu için güç verme zamanlaması Sanal Şasi konfigürasyonları için son derece önemlidir.

Bölüm 5: J-EX4500 Anahtarınızı Nasıl Çalıştıracığınızı Belirleyin

- **Bağımsız**—J-EX4500 anahtarınızı bağımsız (standalone) bir anahtar olarak çalıştırmak üzere güç bağlamak ve başlangıç konfigürasyonunu gerçekleştirmek için sayfa 3 üzerindeki Bölüm 6'ya gidin.
- **J-EX4500 Sanal Şasi**—Başka bir J-EX4500 anahtarıyla Sanal Şasi oluşturmak için sayfa 4 üzerindeki Bölüm 7'ye gidin.
- **Karma Sanal Şasi**—Sekiz adede kadar J-EX4200 anahtarlı ve başka bir J-EX4500 anahtarlı bir Karma Sanal Şasi oluşturmak için sayfa 4 üzerindeki Bölüm 8'e gidin.

Dell PowerConnect J-Series J-EX4500 Ethernet Anahtarı Hızlı Başlangıç—sayfa 3

⚠ DİKKAT: J-EX4500 anahtarları Sanal Şasi modülü takılı olarak gönderilse de Sanal Şasinin çalıştırılması donanım bağlantısına ek olarak hazırlık gerektirir. Uygun talimatları okumadan Sanal Şasiye birden fazla anahtarı fiziksel olarak bağlamayın.

J-EX4500 anahtarınızı mevcut bir J-EX4200 Sanal Şasiye veya karma olarak J-EX4200 ve J-EX4500 Sanal Şasiye de ekleyebilirsiniz. Talimatlar için <http://www.support.dell.com/manuals> adresindeki Dell PowerConnect J-EX Series dokümanlarına bakın.

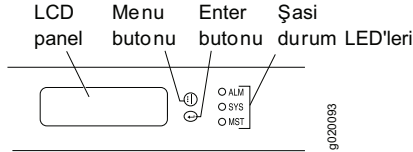
❗ NOT: Bağımsız (standalone) bir J-EX4500 anahtarını J-Web arayüzüyle konfigüre edebilir ve yönetebilirsiniz, ancak J-Web arayüzü bir J-EX4500 Sanal Şasinin veya karma bir Sanal Şasinin konfigürasyonu ve yönetimini desteklemez.

Bölüm 6: Anahtara Güç Verin ve Başlangıç Konfigürasyonunu Yapın

❗ NOT: Anahtarınız bir J-EX4500 Sanal Şasinin bir parçası olacaksa, ilk olarak sayfa 4 üzerindeki Bölüm 7'ye gidin. Karma bir Sanal Şasi için ilk olarak sayfa 4 üzerindeki Bölüm 8'e gidin.

Konfigürasyona başlamadan önce aşağıdaki adımları sonuna kadar okuyun:

1. Jumper kablosu fişini anahtardaki güç kaynağı prizine takın.
2. AC güç kaynağı prizinin bir güç anahtarı varsa bu anahtarı ON (I) konumuna getirin.
3. Her güç kaynağındaki LED'in normal çalışmayı gösterecek şekilde sürekli yeşil renkte yandığından emin olun.
4. Yönetim cihazının dinamik bir IP adresi alabilmesi için anahtara bağlayacağınız yönetim PC'sinde veya laptoda bir DHCP istemcisi etkinleştirin.
5. LCD panel, Menu ve Enter butonları ve durum LED'leri hakkında bilgi edinin.



LCD panel göstergesi anahtar başlangıç konfigürasyonu modundayken bir geri sayım zamanlayıcısı görüntüler. EZSetup'ı kullanarak 10 dakika içinde ilk konfigürasyonu tamamlamanız gerekmektedir. 10 dakika sonra anahtar EZSetup'tan çıkıp fabrika öntanımlı konfigürasyonuna geri döner ve PC veya laptop, anahtara bağlantılılığını yitirir.

6. Anahtarı başlangıç konfigürasyonu moduna geçirin:
 - MAINTENANCE MENU yazısını görene kadar Menu butonuna basın. Sonra Enter butonuna basın.
 - EZSetup yazısını görene kadar Menu butonuna basın. Sonra Enter butonuna basın.

Eğer EZSetup menüde bir opsiyon olarak görünmüyorsa, anahtarı fabrika öntanımlı konfigürasyonuna döndürmek için **Factory Default**'u seçin. EZSetup menüde, yalnızca cihaz fabrika öntanımlı ayarlarındayken görüntülenir.

- Konfigürasyonu onaylamak ve EZSetup işlemlerine devam etmek için Enter butonuna basın.

7. Ethernet kablosunu PC veya laptodaki Ethernet portundan anahtarın ön panelindeki MGMT portuna (me0) bağlayın.

me0 arayüzü (MGMT ile işaretli port) artık DHCP sunucusu olarak konfigüre edilmiştir ve öntanımlı IP adresi 192.168.1.1'dir. Anahtar, yönetim PC'si veya laptoduna 192.168.1.2 ilâ 192.168.1.253 IP adres aralığında bir IP adresi atayabilir.

8. PC'den veya laptodan bir Web tarayıcısı açın, adres alanına <http://192.168.1.1> yazın ve Enter tuşuna basın.
9. J-Web Login sayfasında kullanıcı adı olarak root girin, password alanını boş bırakın ve **Login**'i tıklayın.
10. Introduction sayfasında, **Next**'i tıklayın.

❗ NOT: Bir Sanal Şasi master anahtarı konfigüre ediyorsanız, Adım 11 ilâ 14 için gireceğiniz değerler tüm Sanal Şasi üyelerine uygulanır.

11. Basic Settings sayfasında hostname'i girin, bir şifre girin ve tekrar girin, time zone'u belirleyin ve anahtarın tarih ve saat ayarlarıyla yönetim PC'si veya laptodunkileri senkronize edin veya bu ayarları manuel olarak yapın ve **Next**'i tıklayın.

12. Management Options sayfasında yönetim arayüzünü konfigüre etmek için **Out-of-band Management—Configure management port**'u seçin ve **Next**'i tıklayın.

13. Yönetim arayüzü için öntanımlı ağ geçidini ve IP adresini belirtin.

14. **Next**'i tıklayın. Manage Access sayfasında Telnet, SSH ve SNMP hizmetlerini etkinleştirecek opsiyonları seçebilirsiniz. SNMP için read community, location ve contact konfigüre edebilirsiniz.

15. **Next**'i tıklayın. Summary sayfası seçtiğiniz ayarları görüntüler.

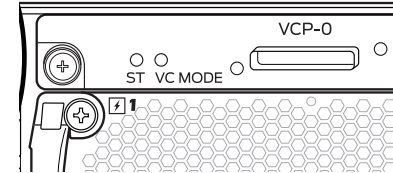
16. **Finish**'i tıklayın. Artık bu konfigürasyon aktif anahtar konfigürasyonu olarak belirlenmiştir.

❗ NOT: Yönetim PC'si veya laptodu ile anahtar arasındaki bağlantı kaybı IP adresini bırakıp yenilemek için PC veya laptodan uygun komutları girerek yeniden bağlanın veya Ethernet kablosunu çıkarıp yeniden takın.

17. **Yalnızca bağımsız (standalone) çalışma işlemi için** komut satırı arayüzünde (CLI) oturum açın ve modu intraconnect olarak ayarlayın:

```
user@switch> request chassis pic-mode intraconnect
```

Yalnızca bağımsız (standalone) çalışma için Sanal Şasi modülündeki ST (status/ durum) LED'inin sürekli yeşil renkte yandığından ve VC MODE LED'inin sönmük olduğundan emin olun.



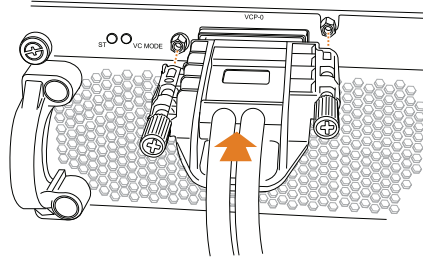
18. LCD panelin sağındaki kehribar alarm LED'ini gözlemleyin.

Kehribar rengi (minör) alarm LED'in yanması normaldir. Bu, anahtarda bir kurtarma konfigürasyonu yapılmadığını gösterir. Mevcut konfigürasyonu, daha sonra rollback komutuyla geri dönebileceğiniz bir kurtarma konfigürasyonu olarak kaydetmek üzere CLI'de oturum açın ve aşağıdakileri girin:

```
user@switch> request system configuration rescue save
```

Bölüm 7: İki J-EX4500 Anahtarı bir J-EX4500 Sanal Şasi Oluşturun

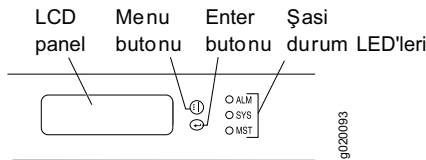
- Her iki J-EX4500 anahtarının Junos işletim sisteminin (Junos OS) aynı sürümünü çalıştırdığından emin olun.
- Bir Sanal Şasi kablosu ve kablo konektörü tutucusuyla her bir anahtarın arkasındaki ayrılmış Sanal Şasi portunu (VCP) kullanarak J-EX4500 anahtarlarını birbirine bağlayın.



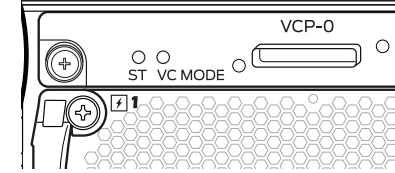
- Sanal Şasi içinde bağlanacak anahtarların seri numaralarını not edin ve güç verilerek ilk olarak konfigüre edecek master anahtarı seçin.
- Yalnızca master anahtarda*, güç bağlayın ve başlangıç konfigürasyonunu yapın. sayfa 3 üzerindeki Bölüm 6'ya bakın.
- (Opsiyonel) Master anahtarda konfigürasyon moduna girin ve Sanal Şasinin bant dışı yönetimi (out-of-band management) için sanal yönetim Ethernet (VME) arayüzünü konfigüre edin:


```
user@switch> configure
user@switch# set interfaces vme unit 0 family inet address ip-address
```
- Master anahtarda preprovisioned (önceden belirlenmiş) konfigürasyon modunu belirtin, her iki anahtara **routing-engine** rolünü atayın ve konfigürasyonu commit edin (uygulayın):


```
user@switch#
user@switch#
user@switch# set member 0 serial-number serial-number role routing-engine
user@switch# set member 1 serial-number serial-number role routing-engine
user@switch# commit
```
- Diğer J-EX4500 anahtarına güç verin—başlangıç konfigürasyonu yapılması gerekli değildir—ve her güç kaynağındaki LED'in normal çalışmayı gösterecek şekilde sürekli yeşil renkte yandığından emin olun.
- Master anahtarda LCD panelin sağındaki yeşil MST (master) LED'inin sürekli yandığından emin olun.



- Sanal Şasideki her iki anahtarda, Sanal Şasi modülündeki yeşil ST (status/durum) ve VC MODE LED'lerinin sürekli yandığından emin olun.



Bölüm 8. Karma bir J-EX4200 ve J-EX4500 Sanal Şasi Oluşturun

⚠ DİKKAT: Bu talimatları okumadan Sanal Şasiye birden fazla anahtarı fiziksel olarak bağlamayın.

Anahtarınız, sekiz adede kadar J-EX4200 anahtarı ve bir diğer J-EX4500 anahtarıdan oluşan bir Sanal Şasi konfigürasyonunun bir parçası olabilir. J-EX4500 anahtarı master olmalıdır.

Bu talimatlarda, *preprovisioned* (önceden belirlenmiş) bir konfigürasyon içinde—hiçbiri halen Sanal Şasi üyesi olmayan—iki adet J-EX4500 anahtarının ve iki adet J-EX4200 anahtarının nasıl konfigüre edileceği gösterilmektedir. Karma bir Sanal Şasi için preprovisioning'i (önceden belirleme) kesinlikle öneriyoruz.

- Karma Sanal Şasi için her iki J-EX4200 anahtarının da başlangıçta konfigüre edildiğinden emin olun. <http://www.support.dell.com/manuals> adresindeki Dell PowerConnect J-EX4200 dokümanlarına bakın.
- Karma Sanal Şasi içinde bağlanacak J-EX4200 anahtarlarının ve J-EX4500 anahtarlarının tümünün aynı Junos OS sürümünü çalıştırdığından emin olun.
- Sanal Şasi içinde bağlanacak anahtarların seri numaralarını not edin ve master anahtar olarak bir J-EX4500 anahtarı seçin.
- İlk olarak J-EX4500 master anahtara, ardından diğer J-EX4500 üye anahtara güç verin. Önceden konfigüre edilmemiş bir anahtar varsa sayfa 3 üzerindeki Bölüm 6'ya bakın.
- Her iki J-EX4500 anahtarını karma Sanal Şasi moduna ayarlayın ve her bir anahtarı yeniden başlatın:


```
user@switch> request virtual-chassis mode mixed
user@switch> request system reboot
```
- Her iki J-EX4200 Sanal Şasi üye anahtara güç verin.
- Her iki J-EX4200 anahtarını karma Sanal Şasi moduna getirin ve her bir anahtarı yeniden başlatın:


```
user@switch> request virtual-chassis mode mixed
user@switch> request system reboot
```
- (Opsiyonel) Master anahtarda tekrar oturum açın, konfigürasyon moduna girin ve Sanal Şasinin bant dışı yönetimi (out-of-band management) için sanal yönetim Ethernet (VME) arayüzünü konfigüre edin:


```
user@switch> configure
user@switch# set interfaces vme unit 0 family inet address ip-address
```


Dell PowerConnect J-Series J-EX4500 Ethernet Anahtarı Hızlı Başlangıç—sayfa 5

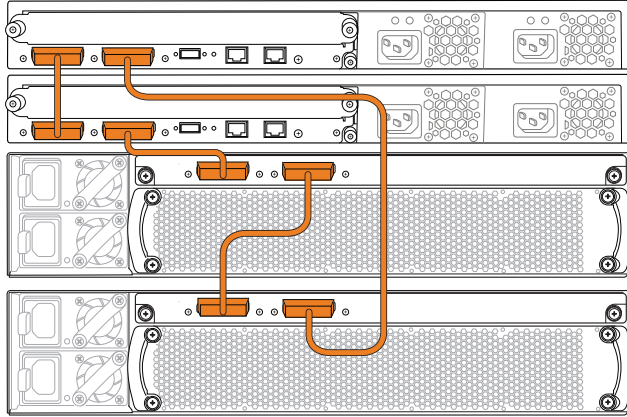
9. Master anahtarda preprovisioned (önceden belirlenmiş) konfigürasyon modunu belirtin ve her iki J-EX4500 üyeye (master dahil) **routing-engine** rolünü atayın:

```
user@switch# edit virtual-chassis
user@switch# set preprovisioned
user@switch# set member member-id-1 serial-number
serial-number-1 role routing-engine
user@switch# set member member-id-2 serial-number
serial-number-2 role routing-engine
```

10. Master anahtarda her iki J-EX4200 üyeye **linecard** rolü atayarak, preprovisioning işlemine devam edin, ardından konfigürasyonu Commit edin (uygulayın):

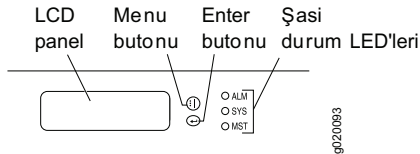
```
user@switch# set member member-id-3 serial-number
serial-number-3 role linecard
user@switch# set member member-id-4 serial-number
serial-number-4 role linecard
user@switch# commit
```

11. Dört Sanal Şasi kablosu ve kablo konnektör tutucusuyla her bir anahtarın arkasındaki, bu işleme ayrılmış VCP'leri kullanarak dört anahtarı birbirine bağlayın.

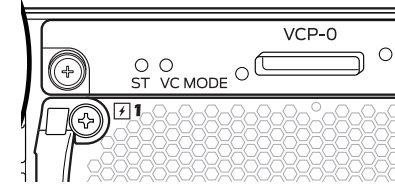


12. Master anahtarda:

- LCD panelin sağındaki yeşil MST (master) LED'inin sürekli yandığından emin olun.



- Sanal Şasi modülündeki yeşil ST (status/durum) ve VC MODE LED'lerinin her ikisinin de sürekli yandığından emin olun.



13. Diğer J-EX4500 üye anahtarda yeşil MST LED'inin yanıp söndüğünden ve yeşil ST ve VC MODE LED'lerinin sürekli yandığından emin olun.

14. Her iki J-EX4200 line card üyesinde LCD panelin sağındaki MST LED'inin kapalı olduğundan emin olun.

Güvenlik Uyarılarının Özeti

Bu, güvenlik uyarılarının bir özeti. Tercüme dahil olmak üzere uyarıların tamamının bir listesi için <http://www.support.dell.com/manuals> adresindeki Dell PowerConnect J-EX4500 anahtar dokümanlarına bakın.

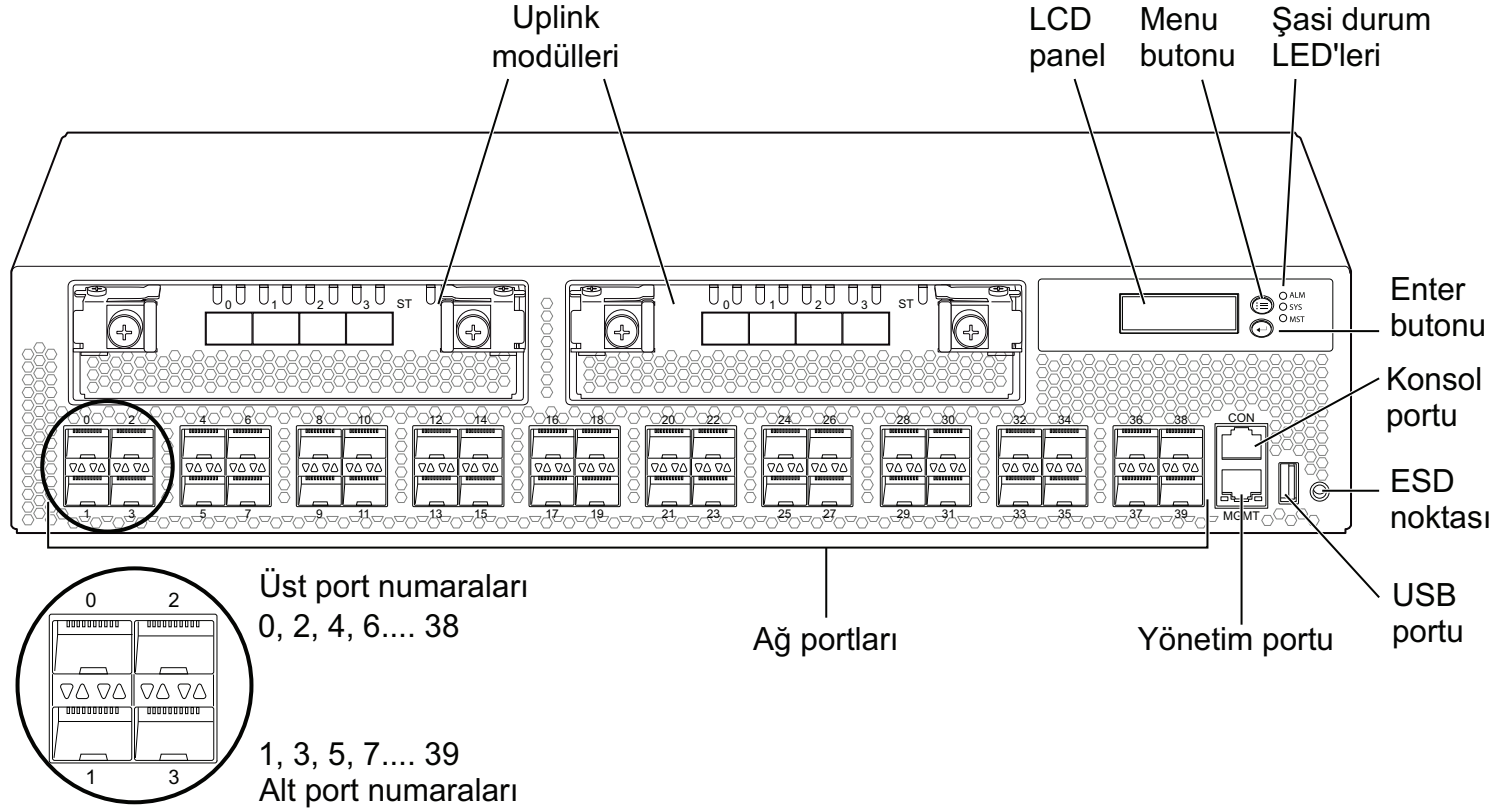
UYARI: Bu uyarıların dikkate alınmaması kişisel yaralanma veya ölüme sonuçlanabilir.

- Anahtar bileşenlerinin yerlerine monte edilmesi veya değiştirilmesinde yalnızca eğitilmiş ve kalifiye personelin çalışmasına izin verin.
- Yalnızca bu hızlı başlangıç kılavuzunda ve J-EX4500 anahtar dokümanlarında tarif edilen prosedürleri uygulayın. Diğer servis işlemlerini yalnızca yetkili servis personeli gerçekleştirmelidir.
- Anahtarı yerine monte etmeden önce alanın güç, çevresel ve boşluk gerekliliklerini karşıladığından emin olmak üzere J-EX4500 anahtar dokümanlarındaki planlama talimatlarını okuyun.
- Anahtarı bir güç kaynağına bağlamadan önce J-EX4500 anahtar dokümanlarındaki montaj talimatlarını okuyun.
- Bir adet güç kaynağı içeren bir J-EX4500 anahtar, 37 lb (17 kg) ağırlığındadır. İki güç kaynağı varken anahtarın ağırlığı 40 lb (18 kg) olur. Anahtarı bir rack'e manuel olarak monte etmek için bir kişinin anahtarı kaldırıp tutması, diğer bir kişinin ise montaj vidalarını yerine takması gerekmektedir. Yaralanmamak için, sırtınızı düz tutun ve sırtınızdan değil ayaklarınızdan güç alın.
- Rack'in sabitleme gereçleri varsa, anahtarı rack'e monte etmeden veya rack içinde anahtara servis işlemi uygulamadan önce bu sabitleme gereçlerini rack'e takın.
- Bir elektriksel komponentin monte edilmesinden veya yerinden sökülmesinden önce daima, komponent yanı yukarı bakacak şekilde düz bir antistatik yüzeye veya bir elektrostatik torba içine yerleştirin.
- Şimşekli fırtınalar esnasında anahtar üzerinde çalışmayın ve kabloları söküp takmayın.
- Elektrik hatlarına bağlı donanım üzerinde çalışmadan önce yüzük, kolye ve saat gibi takılarınızı çıkarın. Metal nesnelere elektrik hattına ve toprağa bağlandıklarında ısınır ve ciddi yanıklara neden olabilecekleri gibi terminallere kaynama ihtimalleri de vardır.

Dell Inc. İle Bağlantı Kurulması

Teknik destek için, <http://www.support.dell.com> adresine bakın.

Dell PowerConnect J-Series J-EX4500 Ethernet Anahtarı Hızlı Başlangıç—sayfa 6



Bu dokümandaki bilgiler haber verilmeksizin değiştirilebilir. Bu metinde kullanılan ticari markalar: Dell™, DELL™ logosu ve PowerConnect™ Dell Inc.in ticari markalarıdır. Juniper Networks® ve Junos® Juniper Networks, Inc.in Amerika Birleşik Devletleri ve diğer ülkelerdeki tescilli ticari markalarıdır. Bütün diğer ticari markalar, hizmet markaları, tescilli ticari markalar veya tescilli hizmet markaları kendi sahiplerinin mülkiyetindedir. Juniper Networks bu dokümandaki herhangi bir yanlışlıktan dolayı hiçbir sorumluluk kabul etmez. Juniper Networks bu yayını bildirimde bulunmaksızın değiştirme, modifiye etme, aktarma veya başka bir şekilde revize etme hakkını saklı tutar. Juniper Networks tarafından yapılan veya satılan mamuller veya bunların komponentleri, Juniper Networks'ün sahibi veya lisans sahibi olduğu aşağıdaki patentlerden biri veya daha fazlası tarafından koruma altına alınmış olabilir: ABD Patent Numaraları: 5,473,599, 5,905,725, 5,909,440, 6,192,051, 6,333,650, 6,359,479, 6,406,312, 6,429,706, 6,459,579, 6,493,347, 6,538,518, 6,538,899, 6,552,918, 6,567,902, 6,578,186 ve 6,590,785.

Copyright © 2011, Juniper Networks, Inc. Her hakkı saklıdır. Bu materyallerin Juniper Networks'ün yazılı izni olmadan her ne surette olursa olsun kopyalanması kesinlikle yasaktır.

Juniper Networks Parça Numarası: 530-038616-TR. Revizyon 01, 30 Nisan 2011.



מדריך הפעלה מהירה למתג אתרנט Dell PowerConnect מסדרה J-EX4500 J

כדי להתקין ולהגדיר מתג אתרנט Dell PowerConnect מסדרה J-EX4500 J (מספר דגם תקינה EX4500) על מסד 19 אינץ' בעל שני עמודים או תא, עליך להצטייד ב:

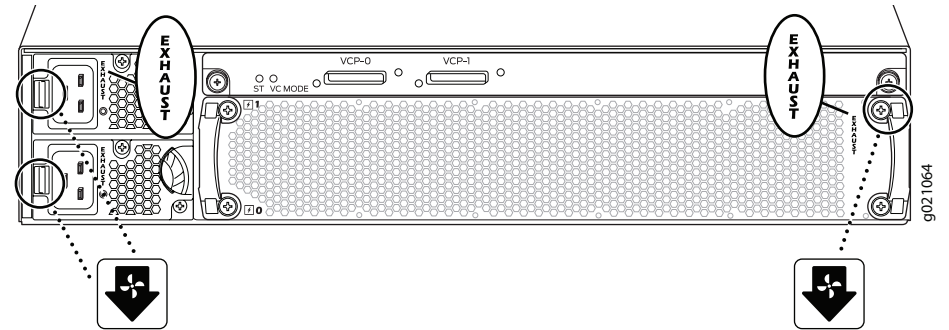
- שתי תושבות התקנה ו-20 בורגי התקנה (מצורפים)
- מברג פיליפס (+), מספר 2
- 8 בורגי התקנת מסד - ו-8 אומי נעילה ודסקיות אם המסד שלך דורש זאת - בגודל ומהסוג המתאים כדי לאבטח את הגוף אל המסד או התא שלך (מצורפים)
- מברג שטוח (-) אם אתה מתקין את המתג במסד בעזרת חורים מרובעים ללא תבריג
- כבל גישור (ג'מפר) ומחזיק כבל לכל אחד מספקי המתח (מצורף)
- לחיבור גוף וירטואלי, כבל גוף וירטואלי אחד או יותר ומחזיקי מחבר כבל
- כבל הארקה 14 AWG (2 מ"מ²), 90°C מינימום - בעל קצה כבל הארקה מתאים אשר יחובר על ידי חשמלאי מוסמך לנקודות הארקה 15.86 מ"מ בנפרד
- שני בורגי 10-32x1/4 אינץ' עם דסקיות קפיציות לאבטחת כבל הארקה אל המתג
- כבל אתרנט עם מחבר RJ-45 (מצורף)
- מארח ניהול עם יציאת אתרנט כגון מחשב אישי או מחשב נייד

הערה: לקבלת מידע אודות התקנה על מסד בעל ארבעה עמודים או בתא ומידע נוסף, עיין במסמכי המתג PowerConnect J-EX4500 בכתובת <http://www.support.dell.com/manuals>

חלק 1: התקן את ספק המתח במתג (אם הוא לא הותקן)

1. ודא שיש ברשותך אספקת המתח הנכון:
 - ודא שידית הוצאה והחצים שעל ידיות מגש המאוורר שבחלקו האחורי של המתג פונים לאותו כיוון.
 - ודא שמדבקות אספקת המתח ומגש המאוורר תואמות - הכיתוב שעליהן צריך להיות EXHAUST (פליטה) או INTAKE (יניקה).

הזירות: הפעלת המתג עם ספק מתח לא מתאים עלולה לגרום להתחממות המתג.



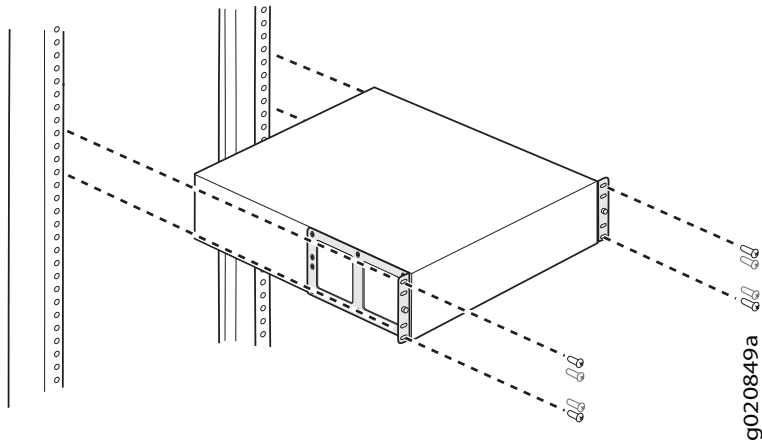
2. היזהר לא לגעת בפניו אספקת המתח, בהדקים או בחיבורים המולחמים והוצא את ספק המתח מהתיק.

3. היעזר בשתי ידיך כדי לחבר את ספק המתח אל פתח ספק המתח שבלוח האחורי של המתג והכנס אותו פנימה במלואו.
4. חזור על שלבים אלו עם ספק המתח AC השני, אם יש צורך בכך.

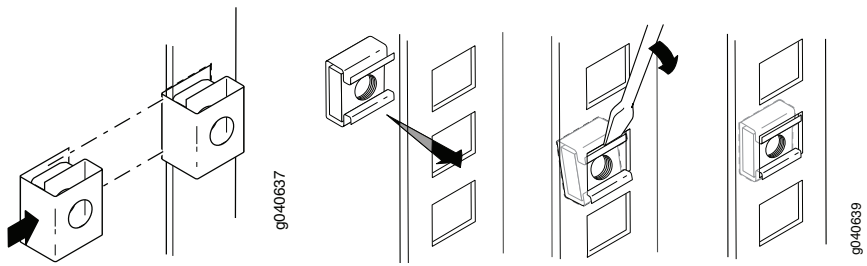
חלק 2: התקן את המתג

הערה: משקל המתג יכול להגיע עד ל-18 ק"ג, בהתאם לרכיבים המותקנים. ההתקנה דורשת מאדם אחד להרים את המתג נוסף לאבטח אותו למסד.

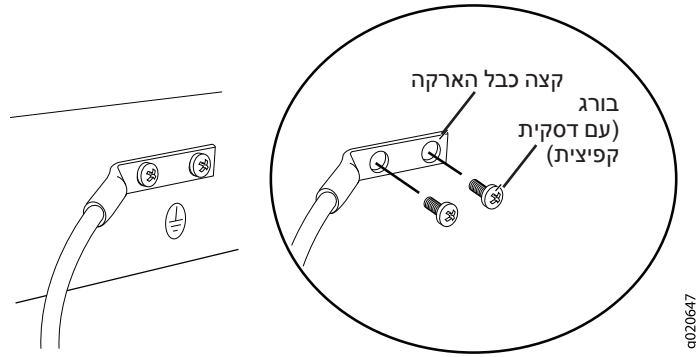
1. הצב את המסד במקומו הקבוע ושמור על מרווח מתאים, שיאפשר זרימת אוויר וביצוע עבודות אחזקה, ואבטח אותו למבנה הבניין.
 2. אם באתר שלך יש דרישות למעברי חום וקור, בדוק את המדבקות שבחלקו האחורי של המתג כדי לקבוע את כיוון ההתקנה (קדימה או אחורה):
 - EXHAUST - אוויר חם יוצא ממגש המאוורר ומספקי המתח (זרימת האוויר מלפנים לאחור).
 - INTAKE - אוויר חם יוצא מחלקו הקדמי של הגוף (זרימת האוויר מאחור לפנים).
- הערה: אם אתה מתקין כמה יחידות משורשרות על המסד, התקן את היחידה הכבדה ביותר בתחתית המסד ואת שאר היחידות מלמטה למעלה לפי משקלן (היחידה הקלה ביותר למעלה).
3. קבע את המקום שבו אתה רוצה להתקין את המתג במסד.



4. אם המסד שלך דורש התקנת אומי נעילה, התקן את אום הנעילה בעל החור העגול (אום תפס) או את אום הנעילה בעל החור המרובע - ודסקית - ב-4 החורים בעלי המרווח המתאים באותו הגובה שבו נמצא כל אחד מעמודי המסד.

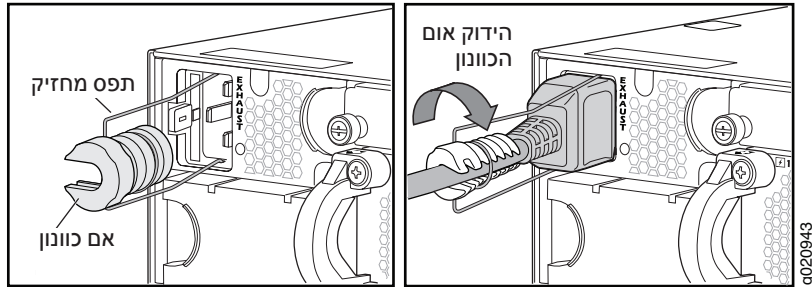


מדריך הפעלה מהירה למתג אתרנט Dell PowerConnect מסדרה J-EX4500 - עמוד 2



חלק 4: חבר את כבל הגישור (ג'מפר) אל אספקת המתח

1. לחץ על שני צדי תפס מחזיק כבל הגישור (ג'מפר) והכנס את הקצוות בצורת L של תפס המתכת אל תוך החורים שבתושבת בכל אחד מצדי כניסת ה-AC של המכשיר שבחזית ספק המתח.



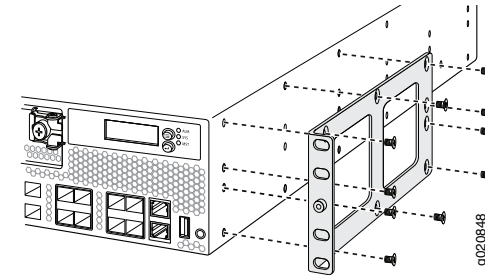
2. הכנס את קצה החיבור של כבל הגישור אל תוך כניסת ה-AC של המכשיר.
3. דחוף את התפס המחזיק בכיוון הכבל עד אשר הכבל ייכנס אל החרץ שבאום הכוונן.
4. סובב את האום עד אשר הוא יתהדק כנגד בסיס החיבור והחרץ שבאום יהיה בזווית של 90° ביחס לחלקו העליון של המתג.
5. אם ליציאת מקור המתח AC יש מתג הפעלה, העבר אותו למצב OFF (0) (כבוי).
6. חזור על שלבים אלו עם ספק המתח AC השני, אם יש צורך בכך.

הערה: אל תפעיל את המתג בשלב זה. הדבר יתבצע כחלק מהגדרת התצורה הראשונית. תזמון ההפעלה הוא חשוב מאוד להגדרות תצורה בגופים וירטואליים כיוון שסדר ההפעלה מסייע בקביעת ההתקן הראשי.

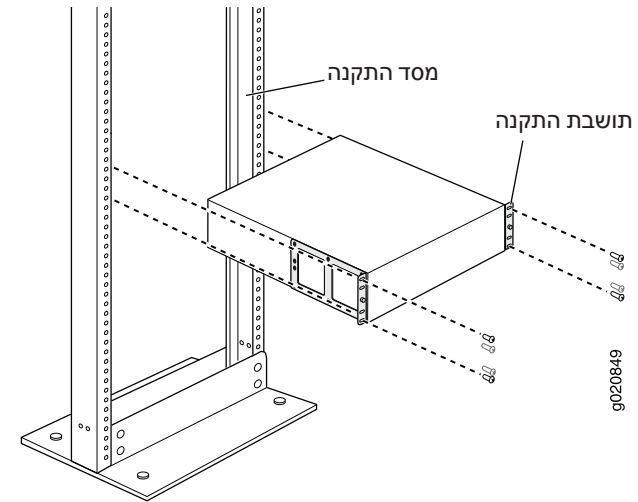
חלק 5: קבע כיצד יפעל מתג ה-J-EX4500 שלך

- **Standalone** - כדי להפעיל את ה-J-EX4500 שלך כמתג עצמאי, עבור לחלק 6 בעמוד 3 כדי לחבר את המתח ולבצע הגדרת תצורה ראשונית.
- **J-EX4500 Virtual Chassis** - כדי ליצור גוף וירטואלי עם מתג J-EX4500 אחר, עבור לחלק 7 בעמוד 4.
- **Mixed Virtual Chassis** - כדי ליצור גוף וירטואלי עם עד שמונה מתגי J-EX4200 ועד מתג J-EX4500 אחד נוסף, עבור לחלק 8 בעמוד 4.

5. הצב את המתג על משטח ישר ויציב.
6. הצב את תושבות ההתקנה מול החלק הקדמי או האחורי של הפנלים הצדדיים של הגוף בהתאם לאופן התקנת המתג (התקנה קדמית או אחורית).
7. חבר את תושבות ההתקנה לגוף המתג באמצעות בורגי ההתקנה והדק את הברגים.



8. היעזר באדם נוסף אשר יאחוז בשני צדי המתג, ירים אותו ויציב אותו בתוך המסד, תוך שהוא מיישר את חורי התושבת מול חורי המסד, כך שהחור התחתון של כל אחת מהתושבות יהיה מול החור שבאותו גובה בכל אחד מעמודי המסד.



9. היעזר באדם נוסף אשר יתקין את בורגי המסד בכל אחד מהחורים כדי לאבטח את המתג אל המסד.
10. ודא שהגוף מפולס ולאחר מכן הדק את הברגים.

חלק 3: חבר את המתג אל הארקה

1. חבר את קצהו האחד של כבל הארקה אל חיבור הארקה תקין, לדוגמה המסד שעליו מותקן המתג.
2. הצב את קצה כבל הארקה המחובר אל כבל הארקה על נקודת הארקה שבצדו השמאלי של הגוף (האחורי) ואבטח אותו אל נקודת הארקה בעזרת ברגים ודסקיות.

מדריך הפעלה מהירה למתג אתרנט Dell PowerConnect מסדרה J-EX4500 - עמוד 3

הממשק me0 (היציאה המסומנת ב-MGMT) מוגדר כשרת DHCP עם כתובת IP ברירת המחדל 192.168.1.1. המתג יכול להקצות כתובת IP למחשב הניהול או הנייד בטווח שבין 192.168.1.2 עד 192.168.1.253.

8. פתח דפדפן אינטרנט במחשב האישי או הנייד, הזן את הכתובת <http://192.168.1.1> בשורת הכתובת ולחץ על מקש Enter.
9. בדף J-Web Login, הזן את שם המשתמש root, השאר את שדה הסיסמה ריק ולחץ על Login (כניסה).
10. בדף Introduction (כניסה), לחץ על Next (הבא).

הערה: אם אתה מגדיר מתג ראשי Virtual Chassis, הערכים שאתה מזין בשלבים 11 עד 14 מתייחסים לכל חברי ה-Virtual Chassis.

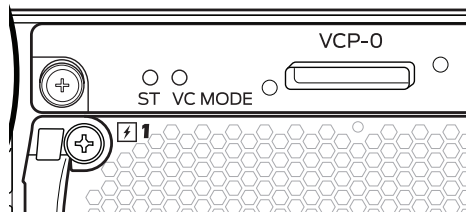
11. בדף Basic Settings (הגדרות בסיסיות), הזן את שם המארז, הזן את הסיסמה ואשר אותה, ציין את אזור הזמן וסנכרן את הגדרות התאריך והזמן של המתג עם מחשב הניהול או המחשב האישי או הגדר אותם ידנית ולחץ על Next (הבא).
12. בדף Management Options (אפשרויות ניהול), בחר באפשרות Out-of-band Management—Configure management port (ניהול חיצוני - הגדרת תצורת יציאת הניהול) כדי להגדיר את ממשק הניהול ולחץ על Next (הבא).
13. ציין את כתובת ה-IP ואת שער ברירת המחדל של ממשק הניהול.
14. לחץ על Next (הבא). בדף Manage Access (גישת ניהול), באפשרותך לבחור אפשרויות כדי לאפשר את השירותים Telnet, SSH, ו-SNMP. באפשרותך להגדיר את קבוצת הקריאה, המיקום ואיש הקשר.
15. לחץ על Next (הבא). דף Summary (סיכום) יציג את ההגדרות שבחרת.
16. לחץ על Finish (סיים). הגדרת התצורה הופכת להיות הגדרת התצורה הפעילה של המתג.

הערה: אם הקשר שבין מחשב הניהול או המחשב הנייד ובין המתג אבד, התחבר מחדש על ידי הזנת הפקודות המתאימות במחשב האישי או הנייד כדי לשחזר ולחדש את כתובת ה-IP - או נתק את כבל האתרנט וחבר אותו מחדש.

17. במצב פעולה standalone בלבד, התחבר אל ממשק שורת הפקודה (CLI) והגדר את מצב החיבור:

```
user@switch> request chassis pic-mode intraconnect
```

במצב פעולה standalone בלבד, ודא שנורית ה-LED הירוקה ST (סטטוס) שעל יחידת ה-Virtual Chassis דולקת באופן קבוע ושנורית ה-LED VC MODE כבויה.



18. שים לב לנורית ה-LED הצהובה, המציינת התראה, שמימין לצג ה-LCD. במצב רגיל, נורית ה-LED הצהובה, המציינת התראה (שולית) דולקת. היא מציינת שלא הוגדרה תצורת הצלה במתג. כדי לשמור את הגדרת התצורה הנוכחית כתצורת הצלה שאליה תוכל לחזור בעזרת פקודת rollback למצב הקודם, התחבר אל ה-CLI והזן

```
user@switch> request system configuration rescue save
```

זיהרות: למרות שמתגי J-EX4500 מגיעים כאשר יחידת ה-Virtual Chassis כבר מותקנת, פעולה במצב Virtual Chassis דורשת ביצוע הכנות, נוסף על חיבור החומרה. אל תחבר פיזית את המתגים ב-Virtual Chassis לפני שקראת את ההוראות המתאימות.

באפשרותך גם להוסיף את מתג ה-J-EX4500 שלך ל-Virtual Chassis J-EX4200 קיים או J-EX4200 מעורב ו-Virtual Chassis J-EX4500. לקבלת הוראות, עיין במסמכי Dell PowerConnect J-EX Series שבכתובת <http://www.support.dell.com/manuals>.

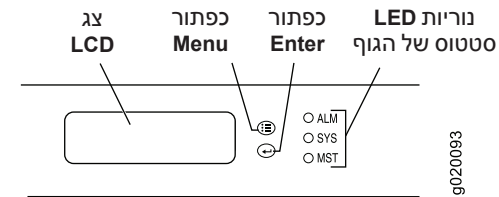
הערה: באפשרותך להגדיר ולנהל מתג standalone J-EX4500 בעזרת ממשק ה-J-Web, אולם ממשק ה-J-Web אינו תומך בהגדרת תצורה ובניהול Virtual Chassis J-EX4500 או Virtual Chassis מעורב.

חלק 6: הפעל את המתג ובצע הגדרת תצורה ראשונית

הערה: אם המתג שלך יהיה חלק מ-Virtual Chassis J-EX4500, עבור תחילה לחלק 7 בעמוד 4. ב-Virtual Chassis מעורב, עבור תחילה לחלק 8 בעמוד 4.

קרא בעיון את השלבים שלהלן לפני שתחיל בהגדרת התצורה.

1. הכנס את תקע כבל הגישור (ג'מפר) אל תוך יציאת מקור המתח שעל המתג.
2. אם ליציאת מקור המתח AC יש מתג הפעלה, העבר אותו למצב ON (פועל).
3. ודא שנורית ה-LED הירוקה שבכל ספק מתח דולקת באופן קבוע, חיווי המצביע על פעולה תקינה.
4. אפשר לקוח DHCP במחשב הניהול האישי או הנייד שברצונך לחבר אל המתג כדי שהתקן הניהול יקבל כתובת IP באופן דינמי.
5. הכר את צג ה-LCD, את כפתורי Menu (תפריט) ו-Enter (אנטר) ואת נוריות LED סטטוס.



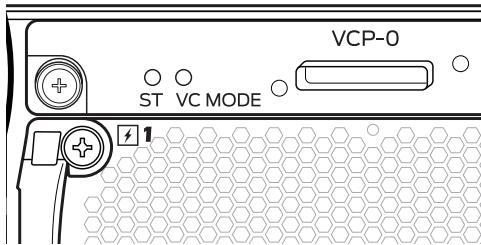
צג ה-LCD יראה שעון עצר (טיימר) כאשר המתג במצב הגדרה ראשונית. אתה חייב לסיים את הגדרת התצורה הראשונית בעזרת EZSetup בתוך 10 דקות. לאחר 10 דקות, המתג יוצא ממצב EZSetup וחוזר להגדרת תצורת ברירת המחדל של המפעל, והקשר בין המתג ובין המחשב האישי או הנייד יופסק.

6. העברת המתג למצב הגדרה ראשונית:

- לחץ על הכפתור Menu (תפריט) עד שתראה MAINTENANCE MENU (תפריט אחזקה). לאחר מכן לחץ על כפתור Enter.
- לחץ על הכפתור Menu (תפריט) עד שתראה EZSetup. לאחר מכן לחץ על כפתור Enter. אם האפשרות EZSetup לא מופיעה בתפריט, בחר באפשרות Factory Default (ברירת המחדל של המפעל) כדי להחזיר את המתג להגדרת תצורת ברירת המחדל של המפעל. האפשרות EZSetup תופיע בתפריט רק כאשר הגדרות תצורת המתג הן הגדרות ברירת המחדל של המפעל.
- לחץ על כפתור Enter כדי לאשר את ההגדרה והמשך עם ה-EZSetup.
- 7. חבר את כבל האתרנט מיציאת האתרנט של המחשב האישי או הנייד אל יציאת ה-MGMT (me0) שבפנל הקדמי של המתג.

מדריך הפעלה מהירה למתג אתרנט Dell PowerConnect מסדרה J-EX4500 - עמוד 4

9. ודא שבשני המתגים שב-Virtual Chassis שנוטריות ה-MODE LED הירוקות (סטטוס) ו-VC MODE שביחידת ה-Virtual Chassis דולקות באופן קבוע.



חלק 8. צור J-EX4200 מעורב ו-Virtual Chassis

זהירות! אל תחבר פיזית את המתגים ב-Virtual Chassis לפני שקראת הוראות אלו.

המתג שלך יכול להיות חלק מהגדרת תצורת Virtual Chassis של עד שמונה מתגי J-EX4200 ומתג J-EX4500 אחר. מתג J-EX4500 חייב להיות המתג הראשי. הוראות אלו מראות לך כיצד להגדיר את התצורה של שני מתגי J-EX4500 ושני מתגי J-EX4200 אף אחד מהם אינו חבר ב-Virtual Chassis - בהגדרת תצורה שהוגדרה מראש. אנו ממליצים מאוד לבצע הגדרה מראש ל-Virtual Chassis מעורב.

1. ודא ששני מתגי J-EX4200 שב-Virtual Chassis המעורב הוגדרו בהגדרת תצורה ראשונית. עיין במסמכי המתג J-EX4200 Dell PowerConnect שבכתובת <http://www.support.dell.com/manuals>.
2. ודא שהמתגים J-EX4200 ושהמתגים J-EX4500 המחוברים ב-Virtual Chassis המעורב פועלים עם אותה גרסה של Junos OS.
3. רשום את המספרים הסידוריים של המתגים לחיבור ב-Virtual Chassis ובחר במתג J-EX4500 כמתג ראשי.
4. הפעל תחילה את המתג הראשי J-EX4500 ולאחר מכן הפעל את מתג ה-J-EX4500 השני. אם תצורת המתג לא הוגדרה קודם לכן, ראה חלק 6 בעמוד 3.
5. הגדר את שני מתגי ה-J-EX4500 למצב Virtual Chassis מעורב והפעל מחדש את כל אחד מהמתגים:

```
user@switch> request virtual-chassis mode mixed
user@switch> request system reboot
```

6. הפעל את שני מתגי ה-J-EX4200 שב-Virtual Chassis.
7. הגדר את שני מתגי J-EX4200 למצב Virtual Chassis מעורב והפעל מחדש את כל אחד מהמתגים:

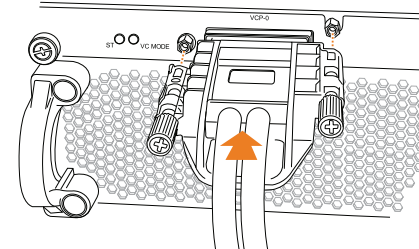
```
user@switch> request virtual-chassis mode mixed
user@switch> request system reboot
```

8. (אופציה) התחבר שוב אל המתג הראשי, היכנס למצב הגדרת תצורה והגדר את ממשק ניהול האתרנט הווירטואלי (VME) לניהול חיצוני של ה-Virtual Chassis:

```
user@switch> configure
user@switch# set interfaces vme unit 0 family inet address
ip-address
```

חלק 7: יצירת J-EX4500 Virtual Chassis עם שני מתגי J-EX4500

1. ודא ששני מתגי ה-J-EX4500 פועלים באותה גרסת מערכת הפעלה (Junos OS).
2. השתמש בכבל Virtual Chassis ובמחזיק מחבר הכבל וחבר את מתגי ה-J-EX4500 בעזרת יציאת ה-Virtual Chassis הייעודית (VCP) שבחלקו האחורי של כל אחד מהמתגים.



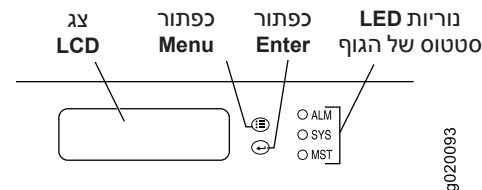
3. רשום את המספרים הסידוריים של המתגים לחיבור ב-Virtual Chassis ובחר במתג הראשי שאותו תפעיל ותגדיר ראשון.
4. במתג הראשי בלבד, חבר את המתח ובצע הגדרת תצורה ראשונית. ראה חלק 6 בעמוד 3.
5. (אופציה) במתג הראשי, היכנס למצב הגדרת תצורה והגדר את ממשק ניהול האתרנט הווירטואלי (VME) לניהול חיצוני של ה-Virtual Chassis:

```
user@switch> configure
user@switch# set interfaces vme unit 0 family inet address
ip-address
```

6. במתג הראשי, ציין את מצב הגדרת התצורה שהוגדר מראש, הקצה לשני המתגים את תפקיד **routing-engine** (מנוע הניתוב) ושמור את הגדרת התצורה:

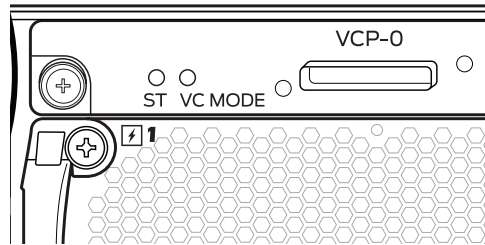
```
user@switch# edit virtual-chassis
user@switch# set preprovisioned
user@switch# set member 0 serial-number serial-number role
routing-engine
user@switch# set member 1 serial-number serial-number role
routing-engine
user@switch# commit
```

7. הפעל את מתג ה-J-EX4500 השני - אין צורך להגדיר את התצורה הראשונית - וודא שנוטריות ה-LED הירוקות שעל כל אחד מספקי המתח דולקות באופן קבוע, חייוי המצביע על פעולה תקינה.
8. במתג הראשי, ודא שנוטריות ה-LED הירוקה (מתג ראשי) שמימין לצג ה-LCD דולקות באופן קבוע.



g020093

מדריך הפעלה מהירה למתג אתרנט Dell PowerConnect מדרה J-EX4500 - עמוד 5



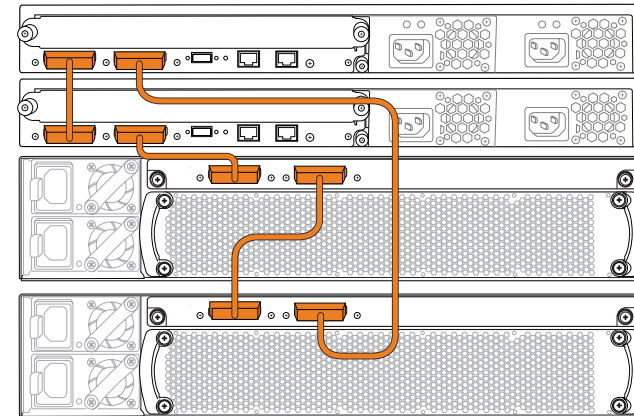
9. במתג הראשי, ציין את מצב הגדרת התצורה שהוגדר מראש והקצה לשני מתגי ה-J-EX4500 (כולל המתג הראשי) את תפקיד **routing-engine** (מנוע הניתוב):

```
user@switch# edit virtual-chassis
user@switch# set preprovisioned
user@switch# set member member-id-1 serial-number
serial-number-1 role routing-engine
user@switch# set member member-id-2 serial-number
serial-number-2 role routing-engine
```

10. במתג הראשי, המשיך בהגדרה התצורה על ידי הקצאת שני מתגי J-EX4200 לתפקיד **linecard** ושמירת הגדרת התצורה:

```
user@switch# set member member-id-3 serial-number
serial-number-3 role linecard
user@switch# set member member-id-4 serial-number
serial-number-4 role linecard
user@switch# commit
```

11. השתמש בארבעה כבלי Virtual Chassis ומחזיקי מחברי כבל וחבר את ארבעת המתגים בעזרת VCP הייעודיים שבחלקו האחורי של כל אחד מהמתגים.



12. במתג הראשי:

- ודא שנורית ה-LED הירוקה MST (מתג ראשי) שמימין לצג ה-LCD דולקת באופן קבוע.

13. במתג ה-J-EX4500 השני, ודא שנורית ה-LED הירוקה MST מהבהבת ושנוריות ה-LED הירוקות ST ו-VC MODE דולקות באופן קבוע.

14. בשני ה-line card מתגי ה-J-EX4200, ודא שנורית ה-LED MST שמימין לצג ה-LCD כבויה.

תמצית אזהרות הבטיחות

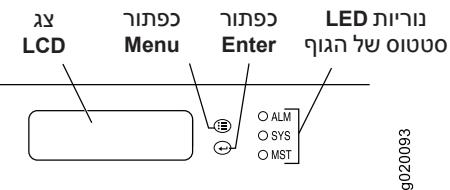
זוהי תמצית אזהרות הבטיחות. לקבלת הרשימה המלאה של האזהרות, כולל תרגומים, עיין במסמכי המתג Dell PowerConnect J-EX4500 שבכתובת <http://www.support.dell.com/manuals>.

אזהרה: אי-ציית לאזהרות בטיחות אלו עלול לגרום לפגיעה גופנית או למוות.

- אפשר רק לעובדים מוסמכים ושעברו הדרכה מתאימה להתקין את רכיבי המתג או להחליפם.
- בצע רק את הפעולות המתוארות במדריך מקוצר זה ובמסמכי המתג J-EX4500. רק עובדי שירות מוסמכים יבצעו את עבודות השירות האחרות.
- לפני התקנת המתג, קרא את הוראות ההתקנה שבמסמכי המתג J-EX4500 כדי לוודא שהאתר עומד בדרישות המתח, הסביבה והמרווח של המתג.
- לפני חיבור המתג אל מקור המתח, קרא את הוראות ההתקנה שבמסמכי המתג J-EX4500.
- מתג J-EX4500 עם ספק מתח אחד שוקל 17 ק"ג. מתג עם שני ספקים שוקל 18 ק"ג. התקנת המתג בתוך מסד דורשת מאדם אחד להרים את המתג ומאדם נוסף להתקין את בורגי ההתקנה. כדי למנוע פגיעה, שמור על גב ישר והרם בעזרת רגליך ולא בעזרת גבך.
- אם המסד מצויד בהתקני ייצוב, התקן אותם על המסד לפני התקנת המתג על המסד או לפני הטיפול בו.
- לפני התקנת רכיב חשמלי או לאחר הסרתו, הצב אותו תמיד כאשר צד הרכיבים כלפי מעלה ועל משטח אנטיסטטי ישר או בתוך שקית אלקטרוסטטית.
- אל תעבוד על המתג, אל תחבר ואל תנתק כבלים במהלך סופות ברקים.
- לפני העבודה על ציוד המחובר לרשת החשמל, הסר תכשיטים כולל טבעות, מחרוזות ושעונים. חפצים מתכתיים מתחממים כאשר הם מחוברים לרשת החשמל ולהארקה, והם יכולים לגרום לכוויות קשות או להתרסק אל ההדקים.

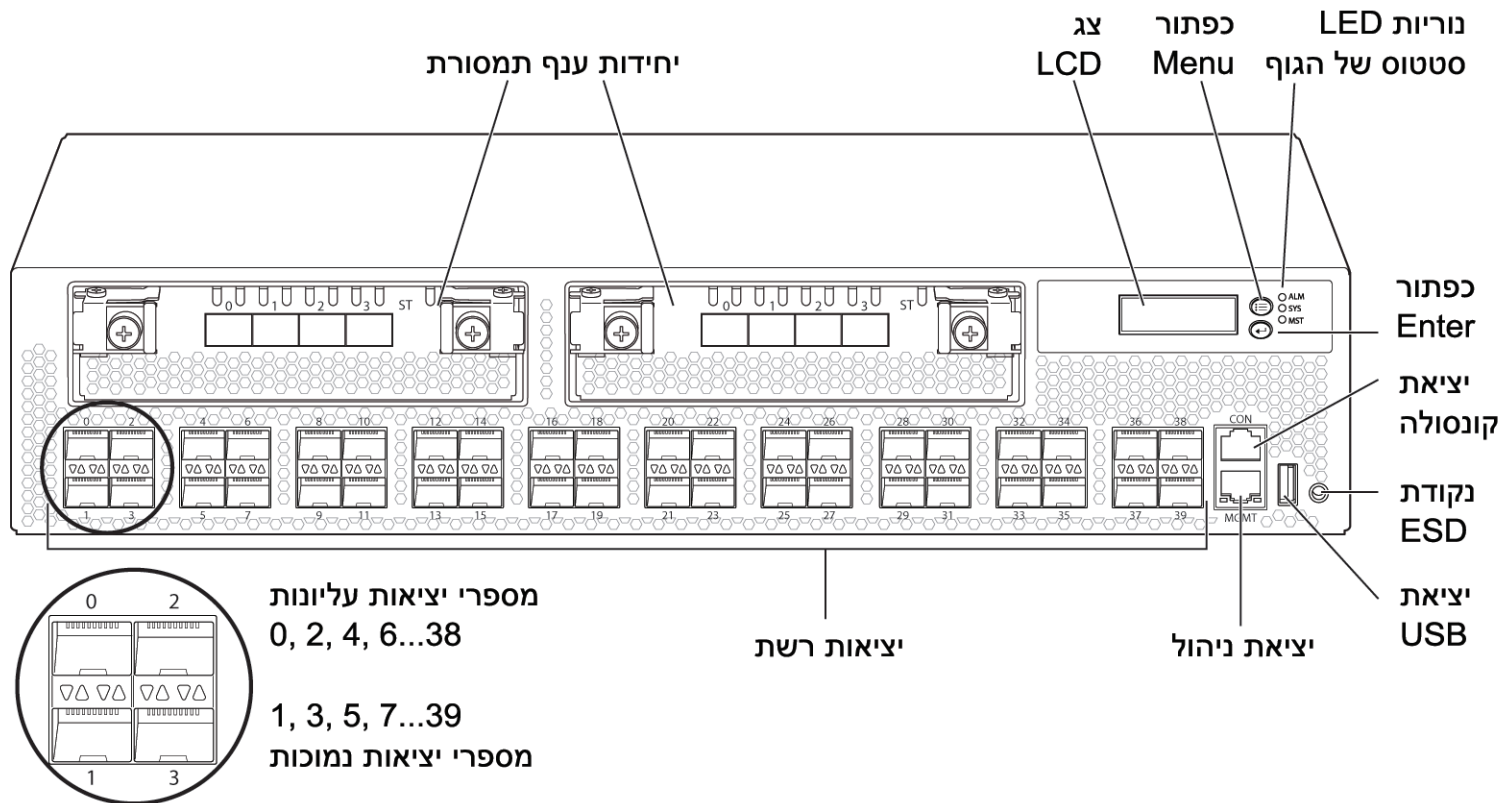
יצירת קשר עם Dell Inc.

לתמיכה טכנית, ראה <http://www.support.dell.com>.



- ודא שנוריות ה-LED הירוקה ST (סטטוס) ו-VC MODE שביחידת ה-Virtual Chassis דולקות באופן קבוע.

מדריך הפעלה מהירה למתג אתרנט Dell PowerConnect מסדרה J-EX4500 J - עמוד 6



9021071